



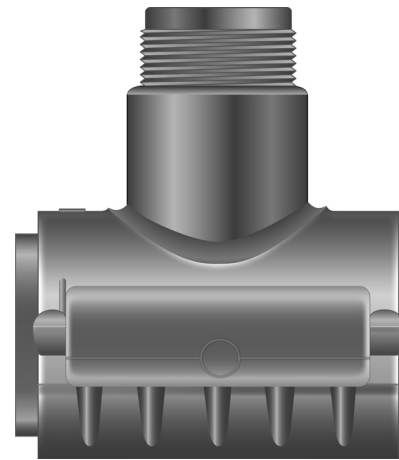
DOSATRON®

An Ingersoll Rand Business

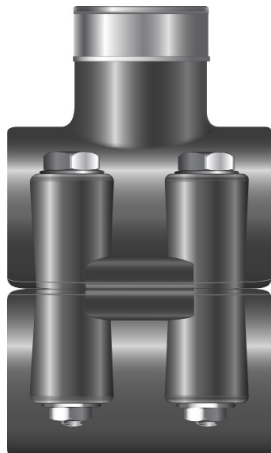
To order now, call 1-800-523-8499

FLOWMETER SADDLES

Description	Item #
Fitting Saddle 2-1/2" PVC Clamp on EPDM O-Ring for PW-FLOW	SAD2.5INPVC
Fitting Saddle 2" PVC Clamp on EPDM O-Ring for PW-FLOW	SAD2INPVC
Fitting Saddle 3" PVC Clamp on EPDM O-Ring for PW-FLOW	SAD3INPVC
Fitting Saddle 4" PVC Clamp on EPDM O-Ring for PW-FLOW	SAD4INPVC
Fitting Saddle 6" PVC Clamp on EPDM O-Ring for PW-FLOW	SAD6INPVC
Fitting Saddle 8" PVC Clamp on EPDM O-Ring for PW-FLOW	SAD8INPVC



INJECTION SADDLES



Description	Item #
Fitting Saddle 2-1/2" PVC Clamp on FKM O-Ring for 1/2" Injection	SAD2.5INPVC-INJ
Fitting Saddle 2" PVC Clamp On FKM O-Ring for 1/2" Injection	SAD2INPVC-INJ
Fitting Saddle 3" PVC Clamp On FKM O-Ring for 1/2" Injection	SAD3INPVC-INJ
Fitting Saddle 4" PVC Clamp On FKM O-Ring for 1/2" Injection	SAD4INPVC-INJ
Fitting Saddle 6" PVC Clamp On FKM O-Ring for 1/2" Injection	SAD6INPVC-INJ
Fitting Saddle 8" PVC Clamp On FKM O-Ring for 1/2" Injection	SAD8INPVC-INJ