

Dilution™

SOLUTIONS

To order now, call 1-800-451-6628

Pressure Relief Valve (PRV) KIT

- Item #:**
- **PRV6X8**

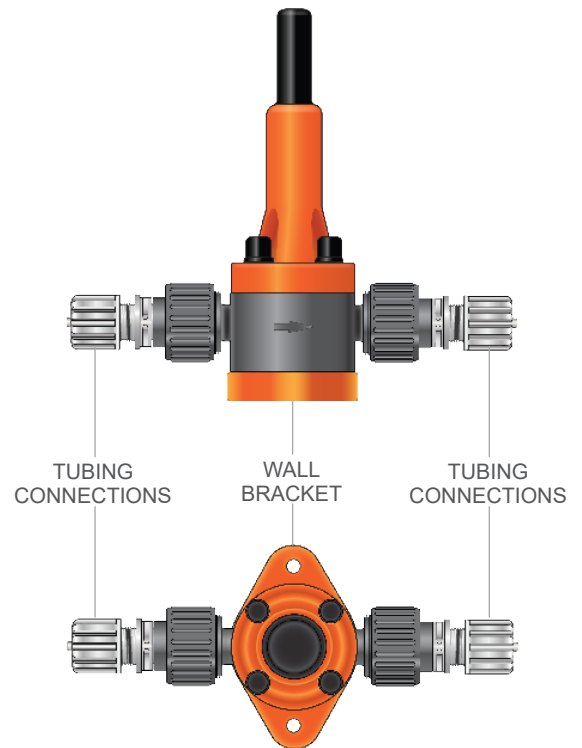
CHARACTERISTICS

Maintains consistent pressure, pre-tunes dosage rates, and prevents siphoning of valuable chemistries.

Includes Tubing Connections and Wall Bracket already attached for easy installation.

FEATURES

Assures consistent pump performance
PVC body with PTFE diaphragm
EPDM (Dutral®) seals
Pre-installed 6X8 tubing connections - PVDF w/TEF/P
Pre-installed wall bracket
For use with the eOne 2007 & 3005 Etatron pumps only, not for smaller sizes/capacity pumps



Description	Item #
Pressure Relief Anti-Siphon Valve Assembled Kit 6X8 with Wall Bracket	PRV6X8