

Dilution™

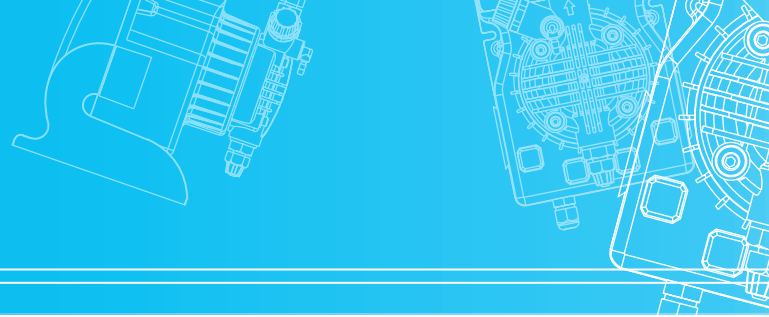
SOLUTIONS



 **ETATRON**

METERING PUMPS
PKX Series





The PKX Series Solenoid Metering Pumps

The PKX Series solenoid metering pumps are simple to use, highly reliable, and provide compact dimensions. They feature:

- Manual air bleed pump head for fast priming
- Floating level switch (upon request for MA/A model)
- Max 120 impulses per minute
- 6.5 ft. suction height
- 120 or 230 V - 50/60 Hz
- Long lasting unique one piece PTFE diaphragm design
- Includes both wall or foot mounting options
- Flashing LED to indicate pump is working
- Compact design
- Weighs approximately 5 lbs.
- Adjustable from 0 to 100%
- IP65 acid resistant housing
- Polypropylene housing

Specification Chart

VERSION	FLOW RATE		PRESSURE		OUTPUT
NUMBER	GPH	LPH	PSI	BAR	ML
0105	0.26	1	72	5	0.14
0206	0.53	2	87	6	0.28
0303*	0.78	3	43	3	0.41
0505	1.32	5	72	5	0.69
0702	1.84	7	29	2	0.97
	2.64	10	14	1	1.39

*MA/A - 12 VDC for use with solar panels only.

Control Options

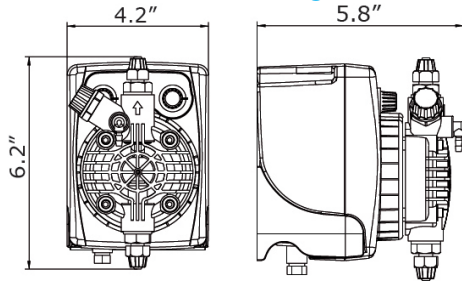
<p style="text-align: center;">MA/A</p>	<p style="text-align: center;">FT/A</p>
<p style="text-align: center;">Analog Metering Pump</p> <ul style="list-style-type: none"> • Manual flow rate adjustment 0 - 100% • Level input control (optional) - MA/AL only (probe not included) • 12 VDC models available for use with low energy solar panels • 120V & 230V units - CSA Certified 	<p style="text-align: center;">Reed Contact Proportional Metering Pump</p> <ul style="list-style-type: none"> • 3 LED indicators for power, pulse, and level input control • Reed water meter input • Low level float switch input (probe not included) • Operates in 2 different modes: <ul style="list-style-type: none"> - F for 1:1 proportional mode - T for timer dosing from 0 - 60 seconds

Installation

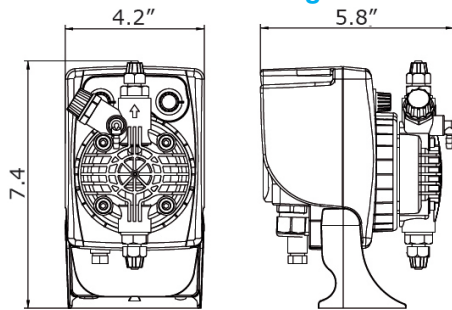
SAMPLE INSTALLATION

A	Main Pipeline
B	Injection Valve
C	Back Pressure Valve
D	Pressure Gauge
E	Relief Valve
F	Metering Pump
G	Tank
H	Foot Filter
I	Low Level Float Switch

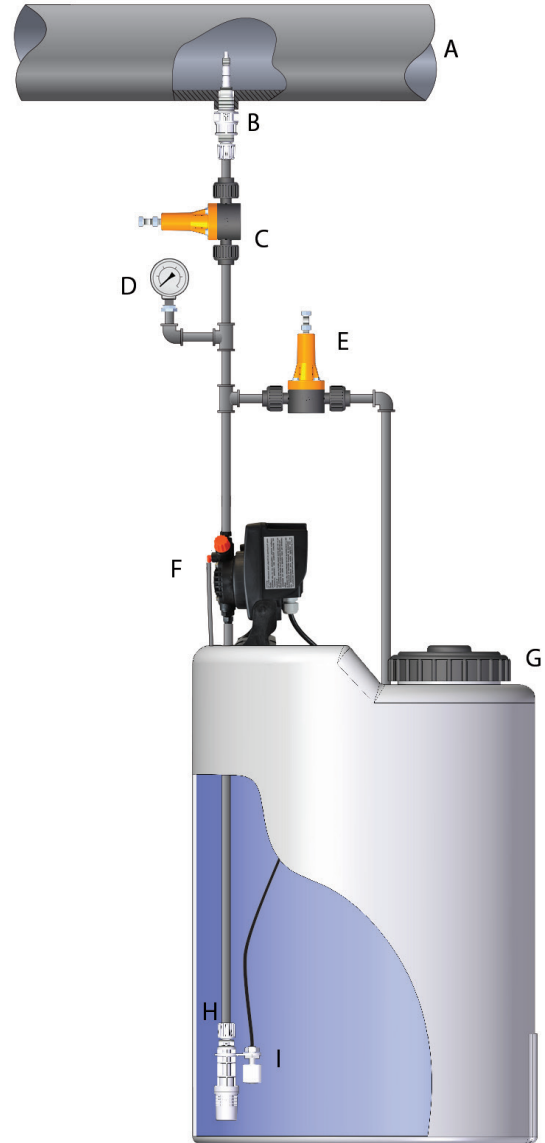
Wall Mounting



Foot Mounting



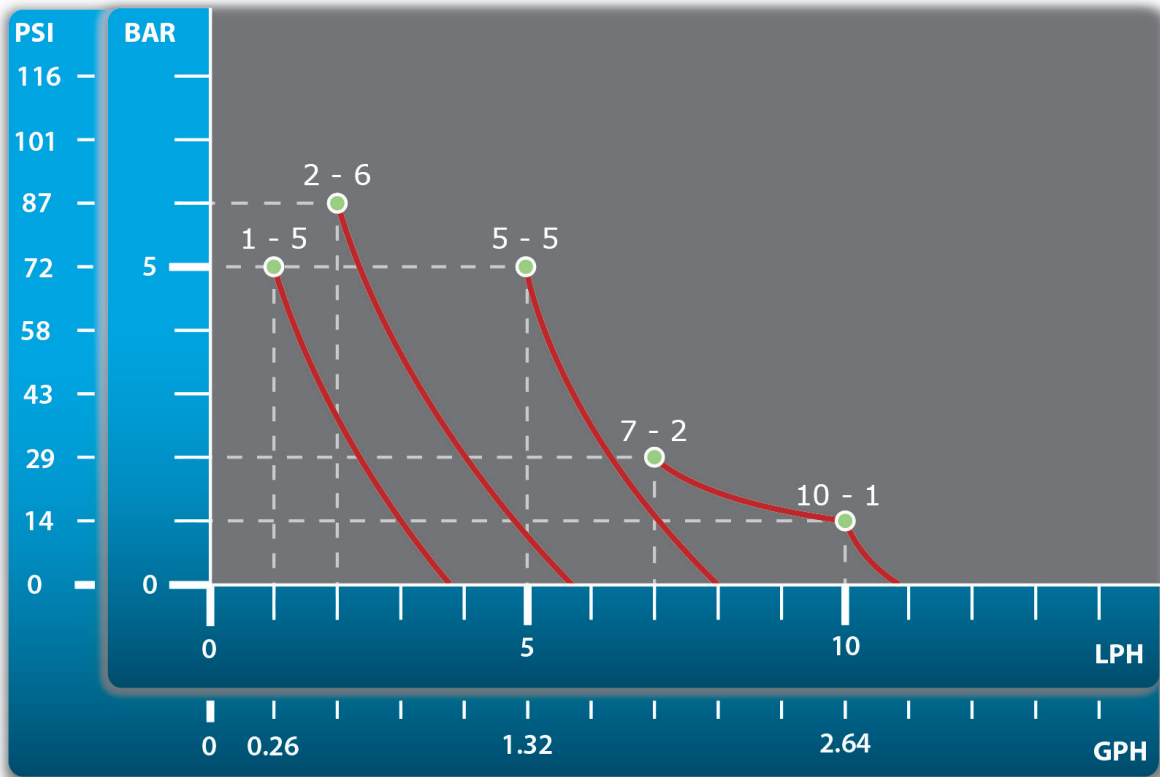
NEMA 5-15 120 Volt
NEMA 6-15 230 Volt



Parts

WETTED PARTS	MATERIALS
Pump Head	Polypropylene (PPL), PVDF (Optional)
Diaphragm	PTFE (Teflon®)
Suction Tube	PVC
Valves	FPM (Viton®), EPDM (Dutral®) option
Seals	FPM (Viton®), EPDM (Dutral®) option
Discharge Tube	Polyethylene (PE)

Curves Flow Rate vs. Pressure



Mounting Options



Dilution™ SOLUTIONS

Serving North and Central America

2090 Sunnysdale Blvd. • Clearwater, FL 33765
1-800-451-6628 • 1-727-451-1198 • Fax: 1-727-451-1197

www.dilutionsolutions.com

ISO 9001 Certified