

Dilution™

SOLUTIONS

To order now, call 1-800-451-6628

Ultrasonic Starter Kit Electric Lo-Flo Nutrient Delivery System

Item #:

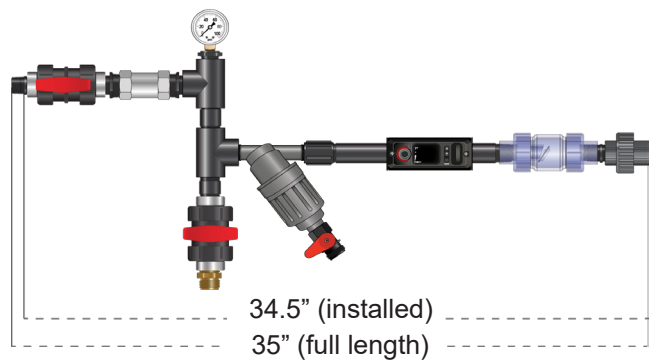
- **ESTART-LUS**

CHARACTERISTICS

For transmitting water flow measurements by means of an ultrasonic sensor to a centralized controller.

FEATURES

Strainer to prevent clogging
Check valve to prevent backflow
Pressure gauge and sample port included
Includes necessary plumbing, ultrasonic flowsensor and cable to connect to controller



Description	Item #
Electric Nutrient Delivery System Lo-Flo Ultrasonic Starter Kit 3/4"	ESTART-LUS

** Parts ordered may look slightly different than the picture displayed, but the fit and function will be the same.