

Dilution™

SOLUTIONS

A Dosatron International, Inc. Company

To order now, call 1-800-451-6628

Starter Kit Electric Lo-Flo NDS System

Item #:

- **ESTART-L**

CHARACTERISTICS

Includes all the parts needed for the inlet of the 3/4" Electric Nutrient Delivery System.

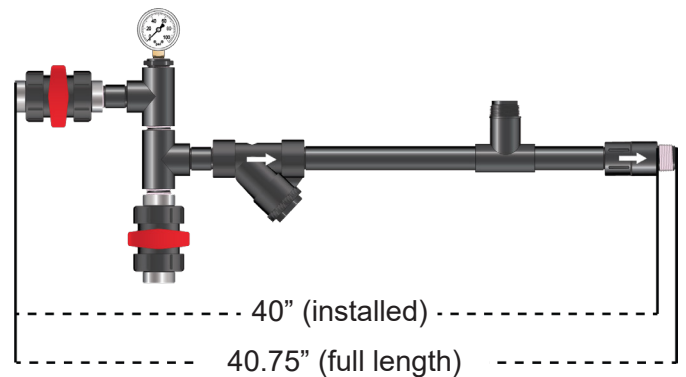
FEATURES

A tee assembly for quick installation of the paddle wheel flow sensor

Ball valves for sampling and servicing the system

Pressure gauge to monitor water pressure

Check valve to prevent back flow



Description	Item #
Electric NDS Lo-Flo Starter Kit 3/4"	ESTART-L