

Dilution™

SOLUTIONS

To order now, call 1-800-451-6628

Injection Mixing Kits Electric Lo-Flo Nutrient Delivery System

Item #:

- EIM-LS
- EIM-LM
- EIM-LL
- EIM-LXL

CHARACTERISTICS

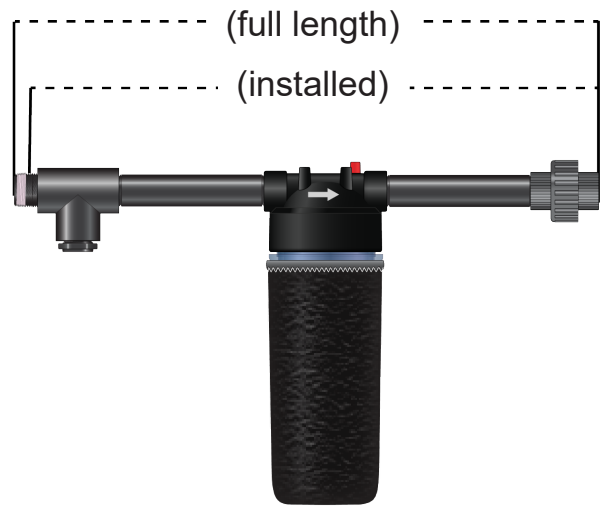
Creates homogeneous blending of nutrients with the passing solution.

FEATURES

Includes a mixing chamber to assure mixing of nutrients

Multiple sizes available to support dosing tank spacing requirements

Light blocking mixing chamber Sunshade sleeve protects light from impacting nutrient rich water. Eliminates the potential for biofilm and algae growth



Kit Options	Item #
Small Lo-Flo Injection Mixing Kit 3/4" - 12.75" installed length (configured spacing for 1 to 5 gallon tank size)	EIM-LS
Medium Lo-Flo Injection Mixing Kit 3/4" - 22.75" installed length (configured spacing for 5 to 15 gallon tank size)	EIM-LM
Large Lo-Flo Injection Mixing Kit 3/4" - 30.75" installed length (configured spacing for 25 to 55 gallon tank size)	EIM-LL
X-Large Lo-Flo Injection Mixing Kit 3/4" - 54.75" installed length (configured spacing for 275 gallon tote)	EIM-LXL