

# Dilution™

## SOLUTIONS

To order now, call 1-800-451-6628

### END Kit Electric Lo-Flo Nutrient Delivery System

Item #:

- EEND-WL

#### CHARACTERISTICS

Protects the system from harm caused by abrupt changes in the line-pressure.

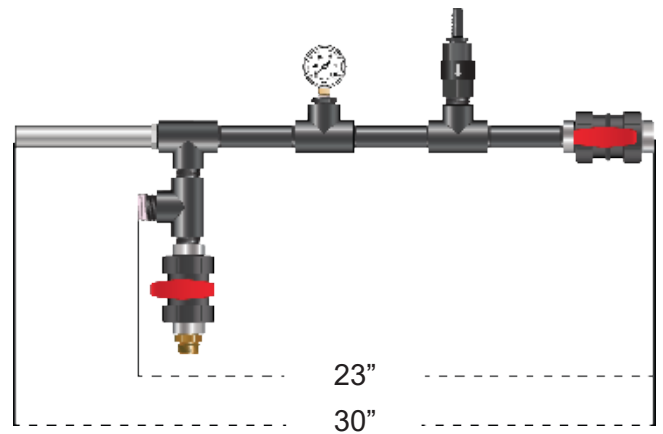
#### FEATURES

Water hammer arrestor to prevent damage to the system from pressure spikes

Discharge valve for flushing out the system

Vacuum breaker valve to prevent siphoning

Pressure gauge for monitoring the system water pressure



Description	Item #
Electric Nutrient Delivery System Lo-Flo END Kit 3/4"	EEND-WL