

ASSEMBLY INSTRUCTIONS

For quick priming (helpful at low water flows):

- Shut off outlet ball valve
- Insert injection hose into the chemical container
- Turn on the stainless steel ball valve (collect discharged solution or send it to drain)
- Observe the injection hose. When full, count 10 clicks
- Shut off stainless steel ball valve
- Turn outlet ball valve on

For sample collection:

- Make sure the unit is primed
- Shut off outlet ball valve
- Turn stainless steel ball valve on
- In a clean container, collect 2.5 gallons of diluted solution
- Shut off stainless steel ball valve
- Collect sample out of the 2.5 gallons and check concentration
- Turn on the outlet valve

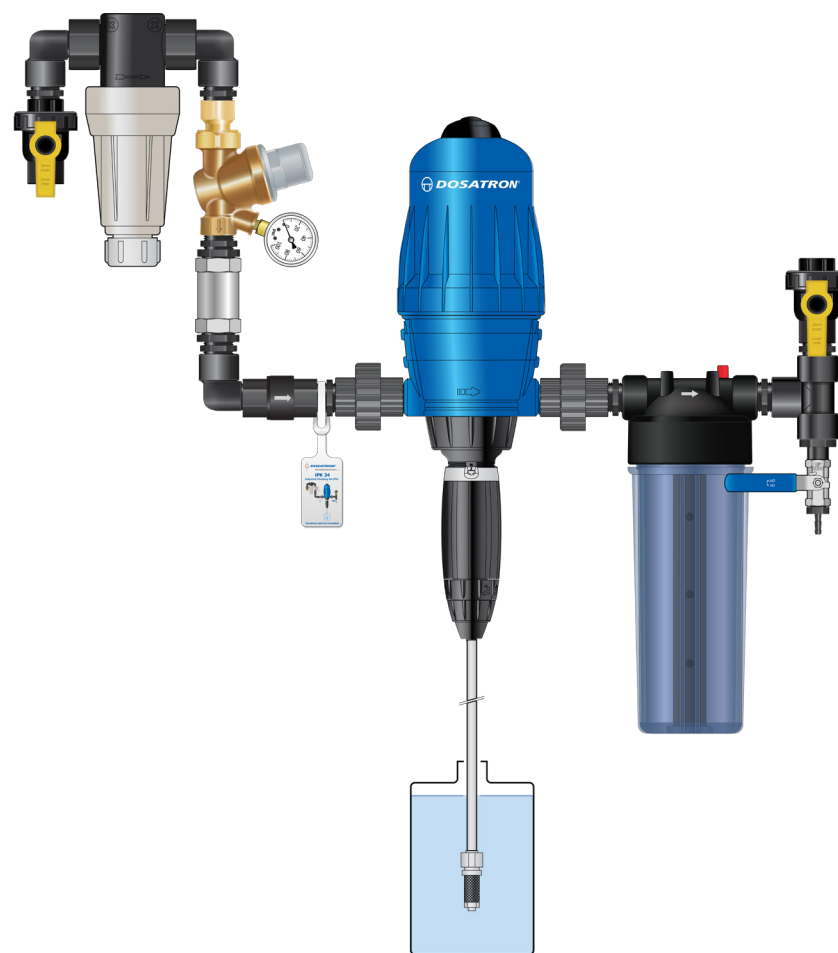


2090 Sunnydale Blvd. • Clearwater, FL 33765
• 1-800-523-8499 • 1-727-443-5404

IPK34MC - 14 GPM

Industrial Plumbing Kit with Mixing Chamber

For units: D14MZ2, D14MZ5, D14MZ10,
and D14MZ3000

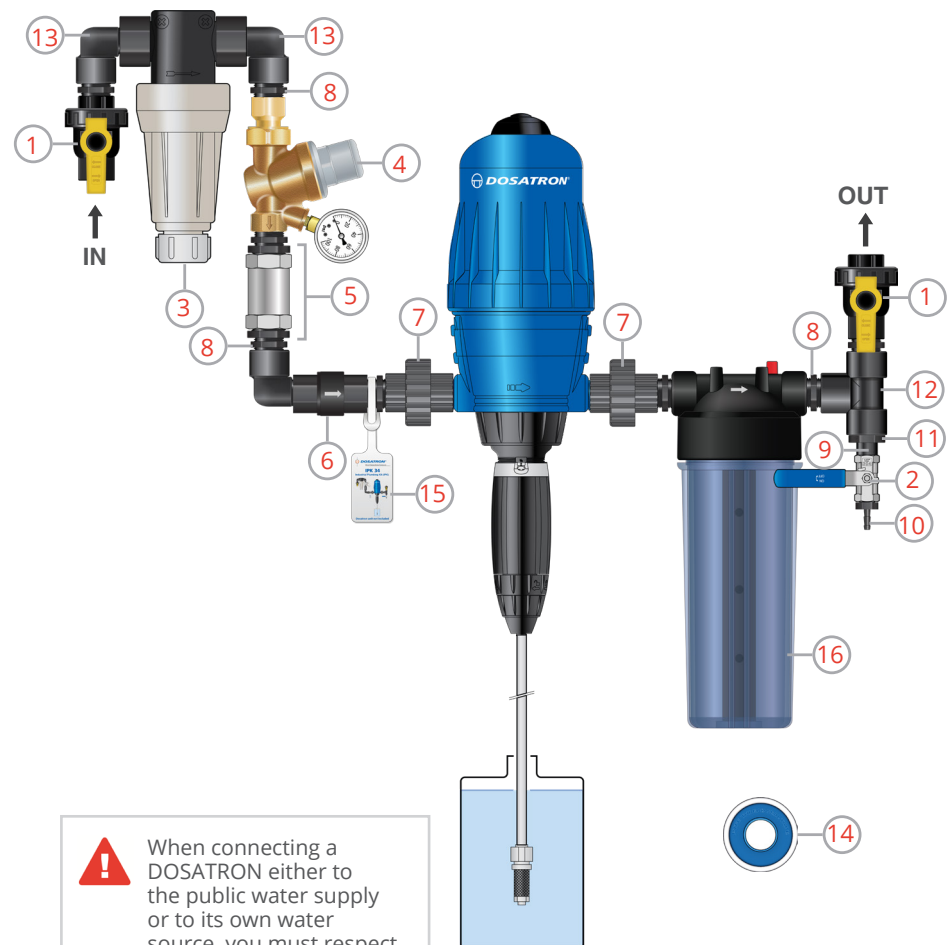


(Dosatron unit sold separately)

- 1 Wrap all male fittings with 5 - 6 turns of Teflon tape if white, only 3 - 4 turns if pink or blue tape.
- 2 Install the following parts with their arrows pointing in the direction of the flow:
 - Check valve
 - Filter
 - Pressure regulator
- 3 Attach the instruction card to the injector.

Qty	IPK34 - 14 GPM Includes:	#
2	3/4" polypropylene single union ball valve	1
1	1/2" stainless steel ball valve	2
1	3/4" polypropylene 200 mesh tee filter	3
1	3/4" pressure regulator w/gauge	4
1	1" flow restrictor 14 GPM	5
2	1" to 3/4" reducer bushings	5
1	3/4" polypropylene check valve	6
2	3/4" union schedule 80 PVC	7
7	3/4" x 2" polypropylene fittings	8
1	1/2" x 2" polypropylene fitting	9
1	1/2" x 1/2" barb fitting	10
1	3/4" male to 1/2" female reducer bushing	11
1	3/4" Tee	12
3	3/4" street elbows	13
1	Roll of thread tape	14
1	Instruction card	15
1	Mixing chamber	16

IPK34MC - 14 GPM



! When connecting a DOSATRON either to the public water supply or to its own water source, you must respect the regulations in force concerning protection of the source i.e. backflow prevention, etc.

NOTE: Parts ordered, or pictured, may look slightly different than the image displayed, but the fit and function will be the same.