

For quick priming (helpful at low water flows):

- Shut off outlet ball valve
- Insert injection hose into the chemical container
- Turn on the stainless steel ball valve (collect discharged solution or send it to drain)
- Observe the injection hose. When full, count 10 clicks
- Shut off stainless steel ball valve
- Turn outlet ball valve on

For sample collection:

- Make sure the unit is primed
- Shut off outlet ball valve
- Turn stainless steel ball valve on
- In a clean container, collect 2.5 gallons of diluted solution
- Shut off stainless steel ball valve
- Collect sample out of the 2.5 gallons and check concentration
- Turn on the outlet valve



2090 Sunnydale Blvd. ● Clearwater, FL 33765
1-727-451-1198 ● 1-800-451-6628 ● www.dilutionsolutions.com
www.dosatronusa.com

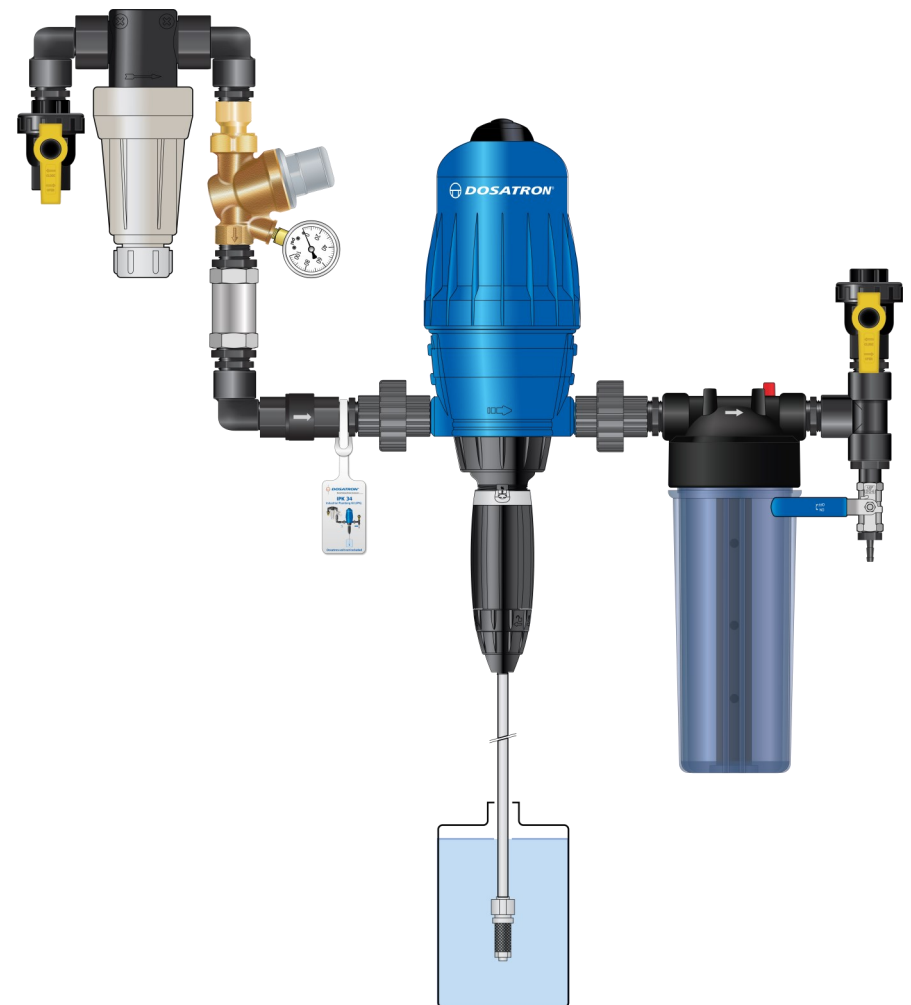


LIT-EN-IPK34MC-14GPM

ASSEMBLY INSTRUCTIONS

IPK34MC - 14 GPM Industrial Plumbing Kit

For units: D14MZ2, D14MZ5, D14MZ10,
and D14MZ3000



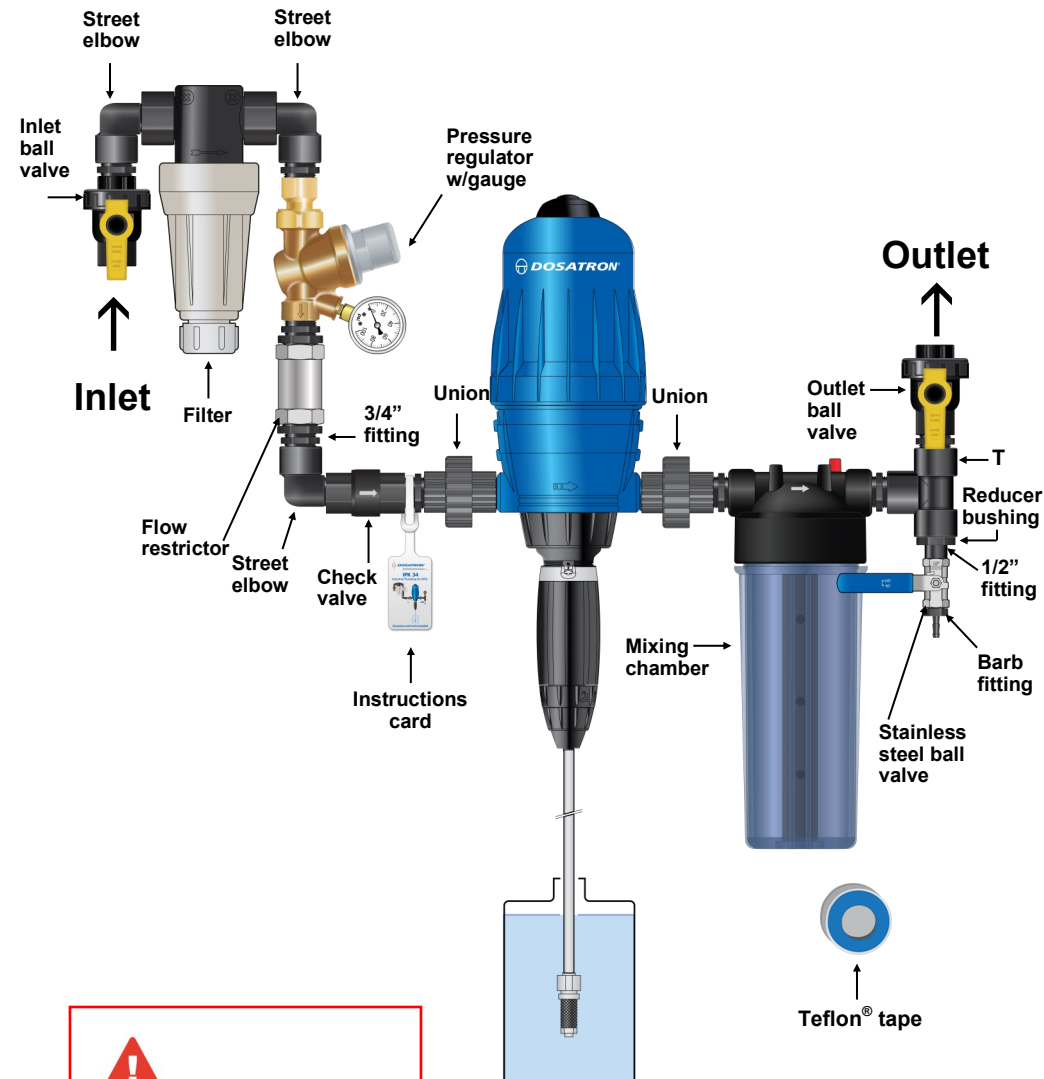
Dosatron unit sold separately.

Customer Service and Technical Support

1 - 8 0 0 - 4 5 1 - 6 6 2 8

- 1 Wrap all male fittings with eight (8) turns of Teflon[®] tape if white, only four (4) turns if thicker pink tape.
- 2 Install the following with their arrows pointing in the same direction as the flow:
 - Check valve
 - Filter
 - Pressure regulator
- 3 Attach instruction card to injector.

IPK34 - 14 GPM includes:	
2	3/4" polypropylene Banjo single union ball valve
1	1/2" stainless steel ball valve
1	3/4" polypropylene 200 mesh tee filter
1	3/4" brass pressure regulator w/gauge
1	3/4" 14 GPM flow restrictor - includes 2 - 3/4" reducer bushings
1	3/4" polypropylene check valve
2	3/4" union schedule 80 PVC
8	3/4" x 2" Banjo polypropylene fittings
1	1/2" x 2" Banjo polypropylene fitting
1	1/2" x 1/2" Banjo barb fitting
1	3/4" male to 1/2" female Banjo reducer bushing
1	3/4" Banjo T
3	3/4" Banjo street elbows
1	Roll of Teflon [®] tape
1	Mixing chamber
1	Instructions card



! When connecting a DOSATRON either to the public water supply or to its own water source, you must respect the regulations



NOTE: Installation illustration is to be used as a reference guide only.