

Dilution™

SOLUTIONS

To order now, call 1-800-451-6628

Monitor Kit Electric Hi-Flo Nutrient Delivery System

Item #:

- **EMON-H**

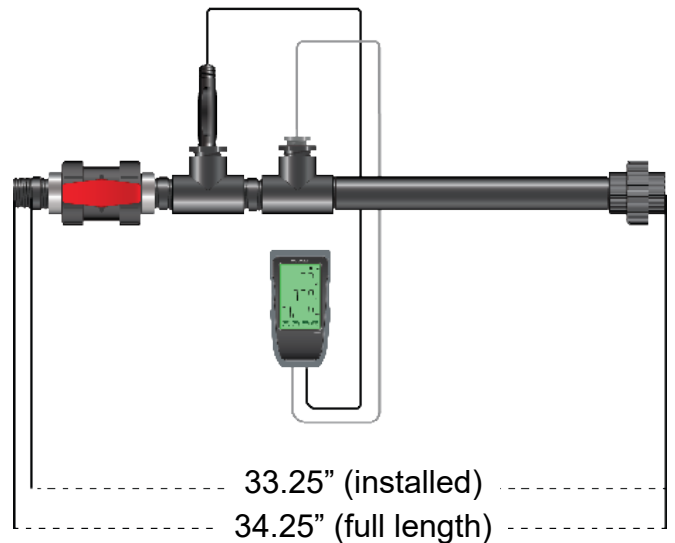
CHARACTERISTICS

Monitors pH and EC levels, and displays a snap-shot of the nutrient solution as it passes over the probes.

FEATURES

Real-time monitoring of pH and EC

Isolation valve to allow servicing of electrodes



Description	Item #
Electric Nutrient Delivery System Hi-Flo Monitor Kit 1 1/2"	EMON-H