

Dilution™

SOLUTIONS

To order now, call 1-800-451-6628

Injection Mixing Kits Electric Hi-Flo Nutrient Delivery System

Item #:

- EIM-HS
- EIM-HM
- EIM-HL
- EIM-HXL

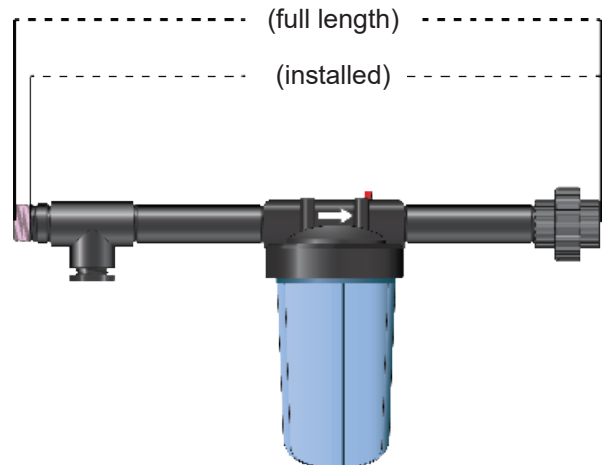
CHARACTERISTICS

Creates homogeneous blending of nutrients with the passing solution.

FEATURES

Includes a mixing chamber to assure mixing of nutrients

Multiple sizes available to support dosing tank spacing requirements



Kit Options	Item #
Small Hi-Flo Injection Mixing Kit 1 1/2" - 16.75" installed length (configured spacing for 1 to 5 gallon tank size)	EIM-HS
Medium Hi-Flo Injection Mixing Kit 1 1/2" - 22.75" installed length (configured spacing for 5 to 15 gallon tank size)	EIM-HM
Large Hi-Flo Injection Mixing Kit 1 1/2" - 30.75" installed length (configured spacing for 25 to 55 gallon tank size)	EIM-HL
X-Large Hi-Flo Injection Mixing Kit 1 1/2" - 58.75" installed length (configured spacing for 275 gallon tote)	EIM-HXL