

# Dilution™

## SOLUTIONS

An Ingersoll Rand Business

To order call 1-800-451-6628

### Lo-Flo Higher-Pressure Starter Kit Water-Powered Nutrient Delivery System

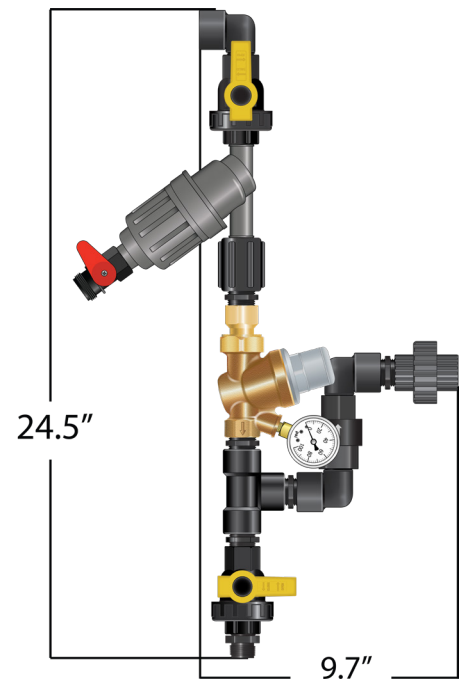
Item #:  
**HYKSTART**

#### SPECIFICATIONS

The Lo-Flo Higher-Pressure Starter Kit includes all the parts you need for the inlet of your Nutrient Delivery System and is mainly used for higher pressure situations.

For systems using booster pumps or pumps with VFD control, the **HYKSTART-STD** is recommended.

To complete the Lo-Flo System, you will also need Dosatron Injectors, Mixing Chamber Kit(s), pH/EC Monitor Kit or END Kit, and Water Hammer Arrestor Kit.



Description	Item #
Lo-Flo Water-Powered Higher-Pressure Starter Kit 3/4"	HYKSTART

\*\* Parts ordered may look slightly different than the picture displayed, but the fit and function will be the same.

# Dilution™

---

## SOLUTIONS

An Ingersoll Rand Business

To order call 1-800-451-6628

### Lo-Flo Nutrient Delivery System Installation



The Nutrient Delivery System is customizable,  
more dosers can be added as needed.

NOTE: Installation illustrations are to be used as a reference guide only.