

Dilution™

SOLUTIONS

An Ingersoll Rand Business

To order call 1-800-451-6628

Lo-Flo Standard Starter Kit Water-Powered Nutrient Delivery System

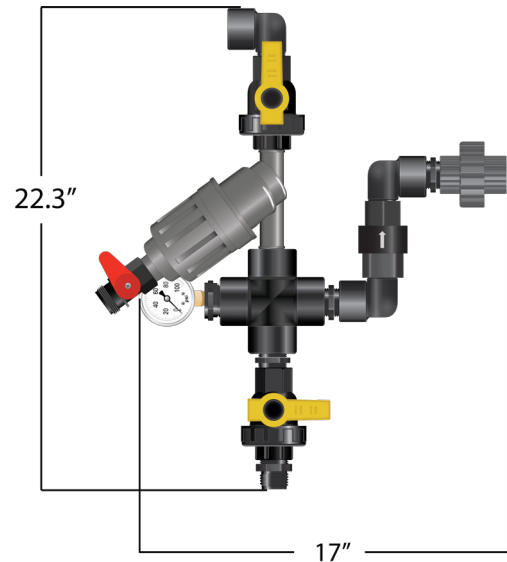
Item #:
HYKSTART-STD

SPECIFICATIONS

The Lo-Flo Standard Starter Kit includes all the parts you need for the inlet of your Nutrient Delivery System. It is best suited for systems with consistent inlet pressure or utilizing a constant pressure pump. It is also ideal for use in conjunction with a booster pump or a pump with VFD control.

In cases with higher pressure levels on the inlet side of the system (>85 PSI) the installation of a pressure regulator is recommended (see **HYKSTART** kit).

To Complete the Lo-Flo Nutrient Delivery System, you will also need Dosatron Injectors, Mixing Chamber Kit(s), pH/EC Monitor Kit or END Kit, and a Water Hammer Arrestor Kit.



Description	Item #
Lo-Flo Water-Powered Standard Starter Kit 3/4"	HYKSTART-STD

** Parts ordered may look slightly different than the picture displayed, but the fit and function will be the same.

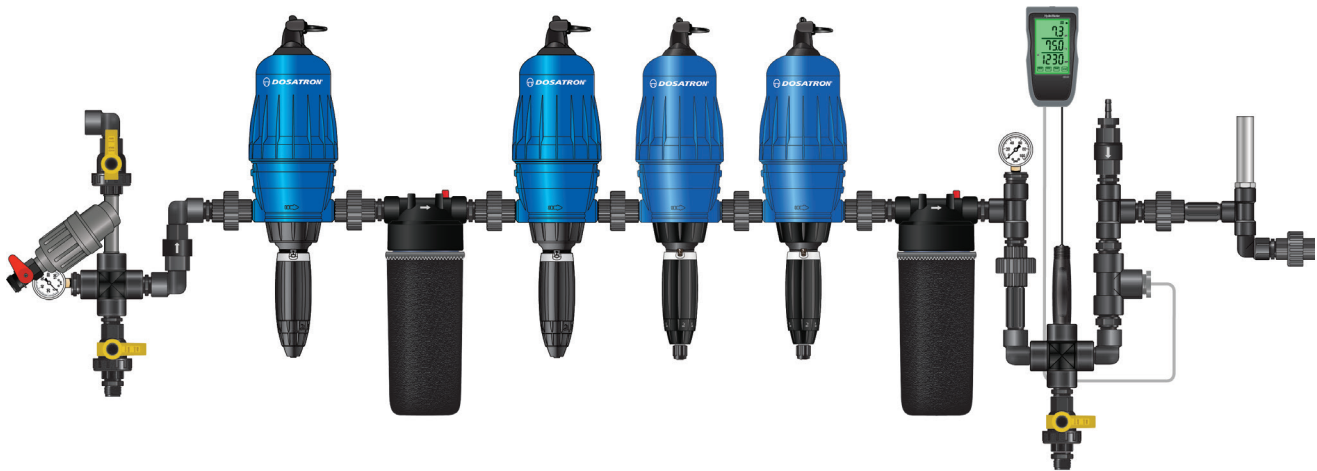
DilutionTM

SOLUTIONS

An Ingersoll Rand Business

To order call 1-800-451-6628

Lo-Flo Nutrient Delivery System Installation



The Nutrient Delivery System is customizable,
more dosers can be added as needed.

NOTE: Installation illustrations are to be used as a reference guide only.