

Dilution™

SOLUTIONS

An Ingersoll Rand Business

To order call 1-800-451-6628

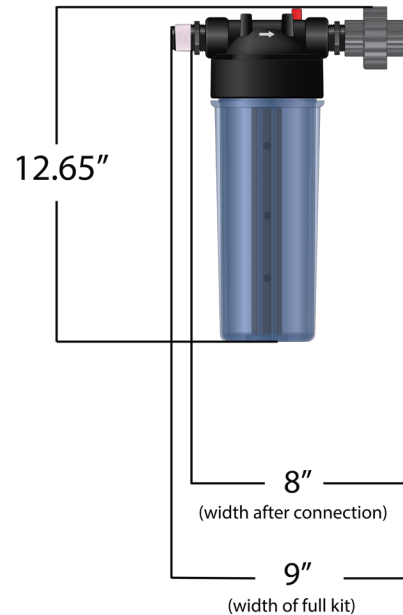
Lo-Flo Mixing Chamber Kit Water-Powered Nutrient Delivery System

Item #:

- **HYKMC34**

SPECIFICATIONS

Dilution Solutions' Water-Powered Nutrient Delivery System Mixing Chamber Kit enhances the blending as the solution passes through. It's a must for silicates. To complete the LO-FLO system you will also need Dosatron Injectors, the Standard Starter Kit or Higher-Pressure Starter Kit, Monitor Kit or END Kit, and Water Hammer Arrestor Kit.



Description	Item #
Lo-Flo Water-Powered Mixing Chamber Kit 3/4"	HYKMC34

** Parts ordered may look slightly different than the picture displayed, but the fit and function will be the same.

Dilution™

SOLUTIONS

An Ingersoll Rand Business

To order call 1-800-451-6628

Lo-Flo Nutrient Delivery System Installation



The Nutrient Delivery System is customizable,
more dosers can be added as needed.

NOTE: Installation illustrations are to be used as a reference guide only.