



An Ingersoll Rand Business

Dosatron International, LLC.

• 2090 Sunnydale Blvd.

• Clearwater, FL. USA

• 1-800-523-8499 • 1-727-443-5404

# Lo-Flo End Kit

Water-Powered Nutrient Delivery System

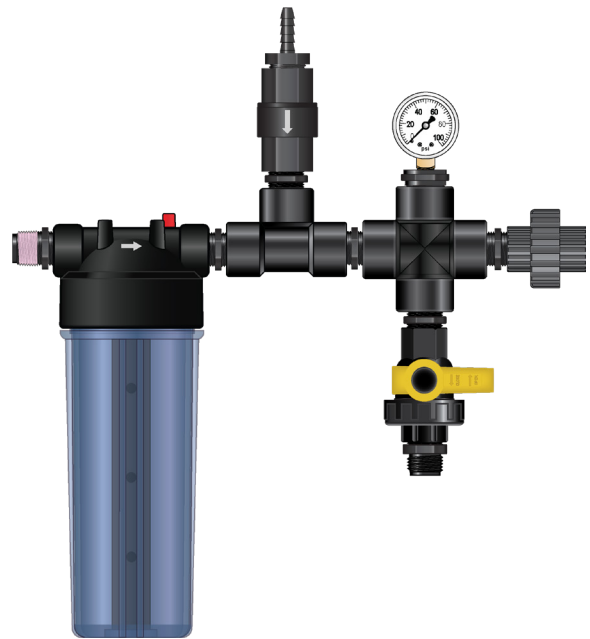
Item Number: **HYKEND**

## Specifications

Water-Powered Nutrient Delivery System END Kit is an alternative to the Monitor Kit.

To complete the LO-FLO Nutrient Delivery System, you will also need Dosatron Injectors, the Standard Starter Kit, Mixing Chamber Kit, and Water Hammer Arrestor Kit.

\*\*Parts ordered may look slightly different than the image displayed, but the fit and function will be the same.



Description	Item #
Lo-Flo Water-Powered END Kit 3/4"	HYKEND

To order call 1-800-523-8499

# Lo-Flo Nutrient Delivery System Installation

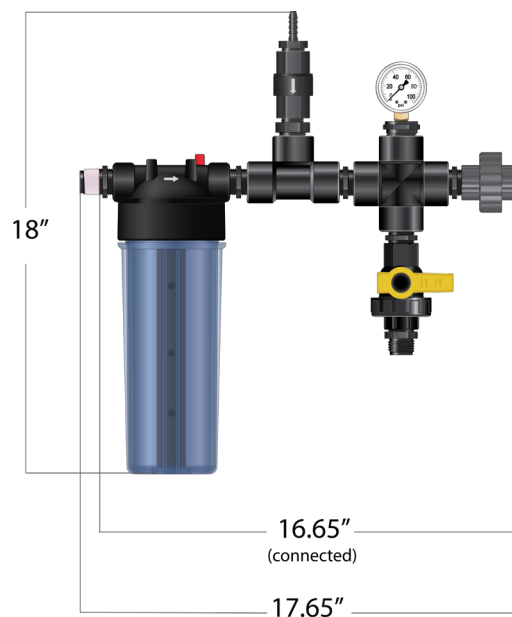
The Nutrient Delivery System is customizable; more dosers can be added as needed.

\*Light blocking mixing chamber Sunshade sleeve sold separately - Item # MC34-SHADE.



## Lo-Flo END Kit

Dimensions



To order call 1-800-523-8499