



DOSATRON®

An Ingersoll Rand Business



D40MZ5 - 40 GPM INTERACTIVE SCHEMATICS

UNIT SPECIFICATIONS

- 1:100 - 1:20
- 7.2 - 116 PSI
- 1 1/2" NPT Connection

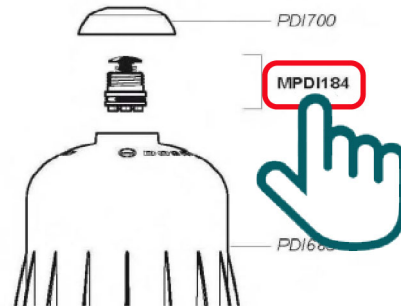
SUGGESTED INSTALLATION

- 200 mesh/80 micron water filter prior to the unit

SUGGESTED MAINTENANCE

- Injection Seal Kit
Part #: [PJDI122V](#)
For yearly maintenance
- Rebuild Kit
Part #: [MKD40MZ5](#)
Extends the life of your unit
- Piston Flange Kit
Part #: [PPDI065](#)

DOCUMENT INSTRUCTIONS



- Click on a part #, to visit item page
- Click arrow back from item page, to return to this document



D40 1:100 - 1:20

40 GPM - 1:100 - 1:20
9m³/h - 1 - 5%
7.2 - 116 psi
0.5 - 8 bar



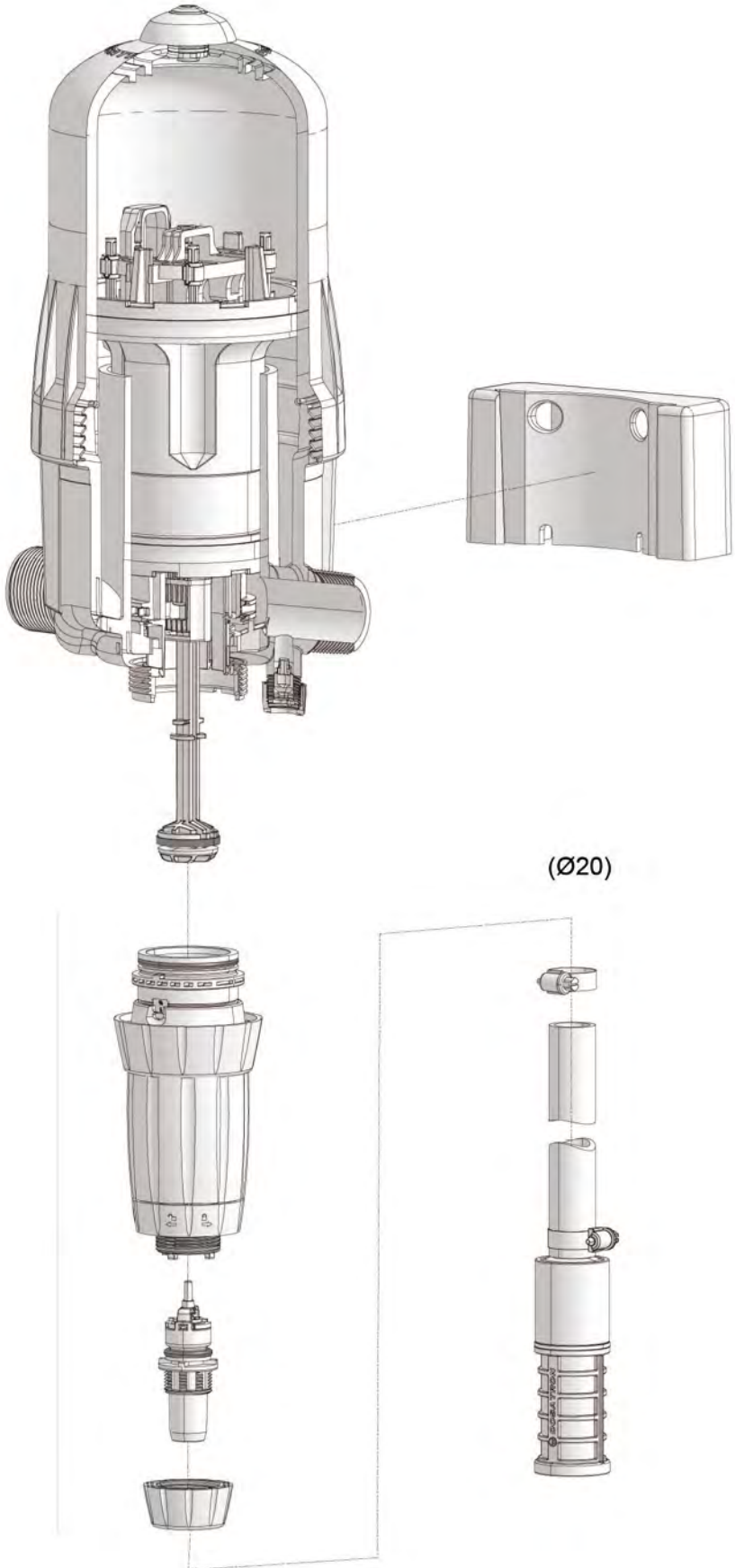
D40MZ5

40 GPM - 1:100 - 1:20

9m³/h - 1 - 5%

7.2 - 116 psi

0.5 - 8 bar



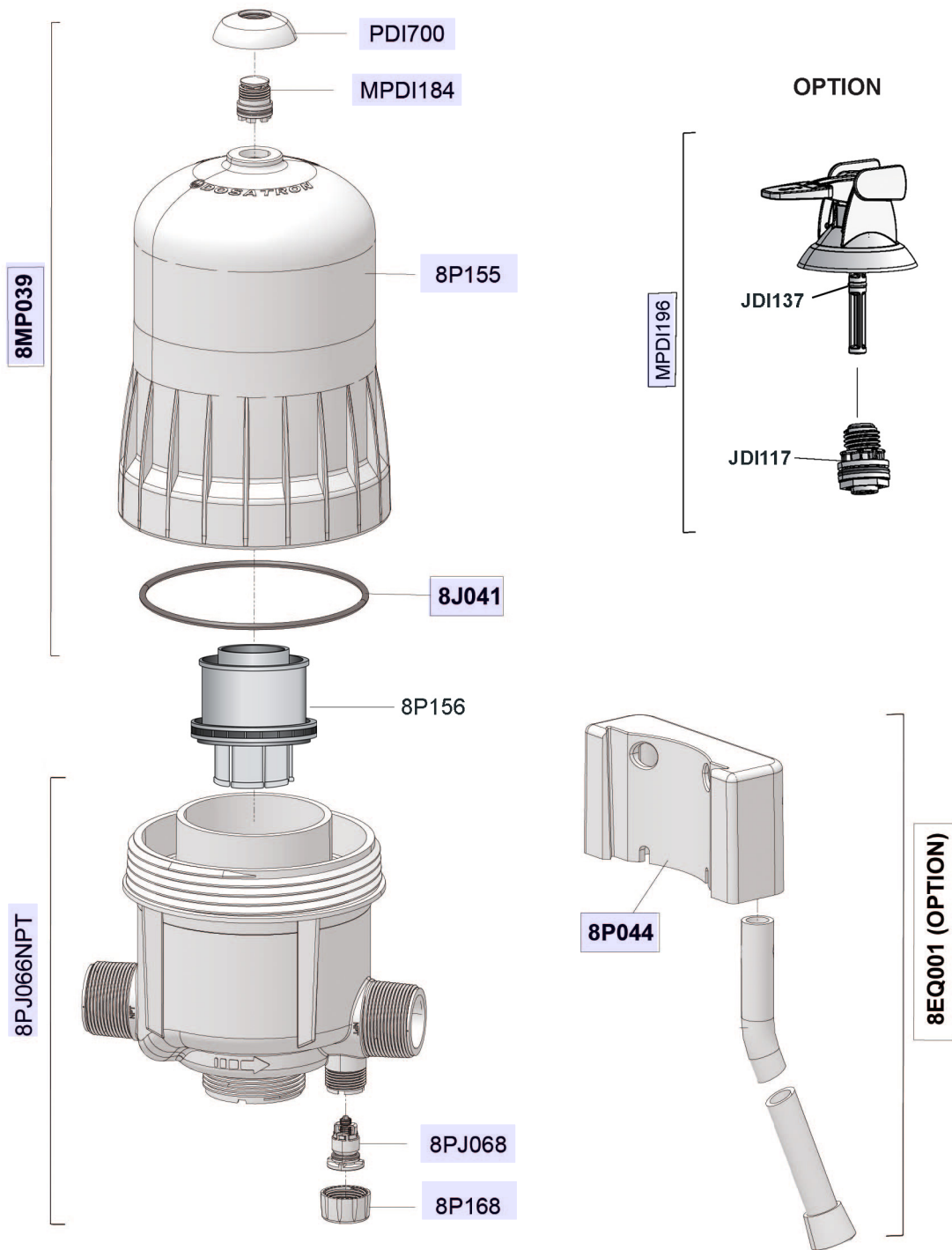
D40MZ5

40 GPM - 1:100 - 1:20

9m³/h - 1 - 5%

7.2 - 116 psi

0.5 - 8 bar



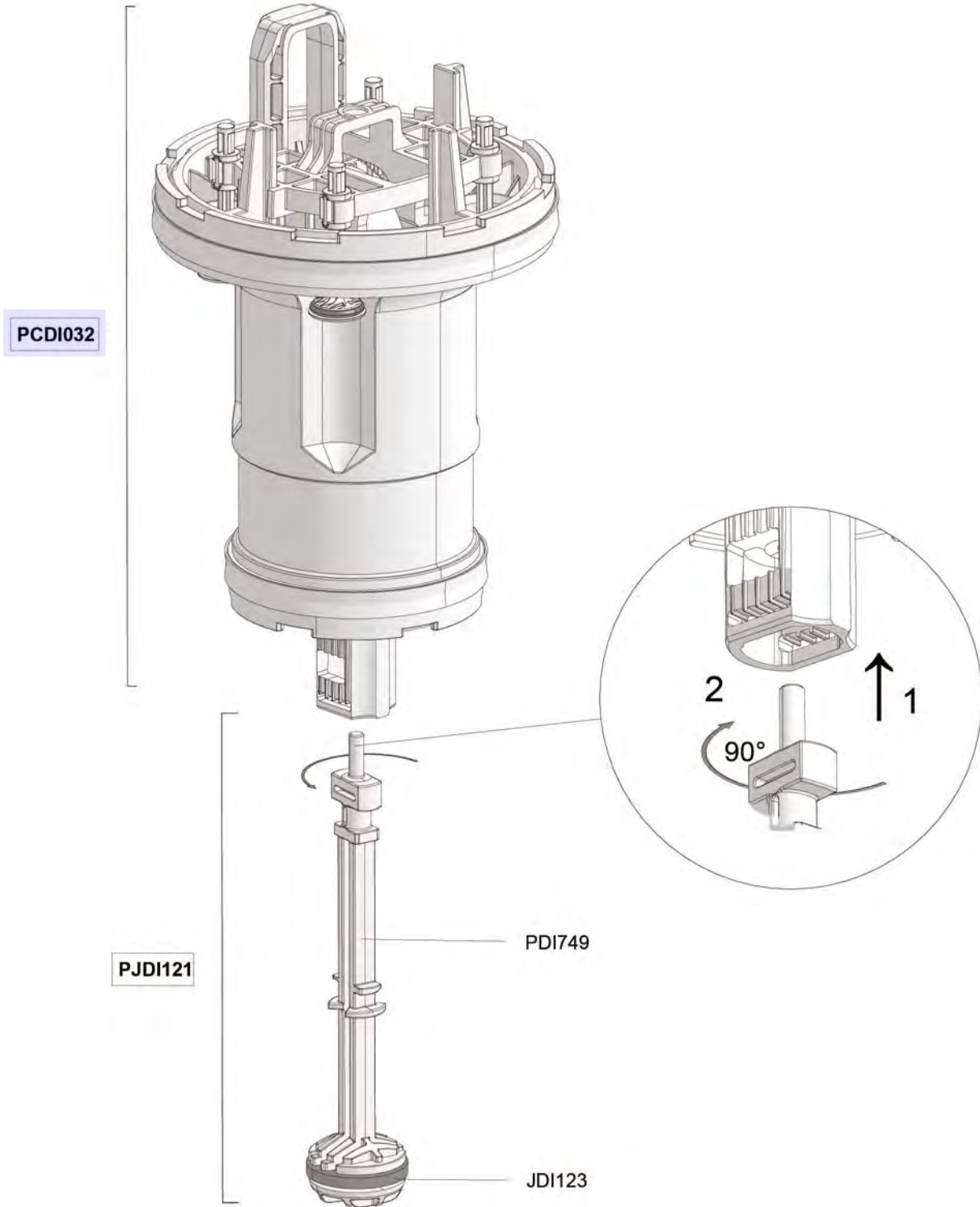
D40MZ5

40 GPM - 1:100 - 1:20

9m³/h - 1 - 5%

7.2 - 116 psi

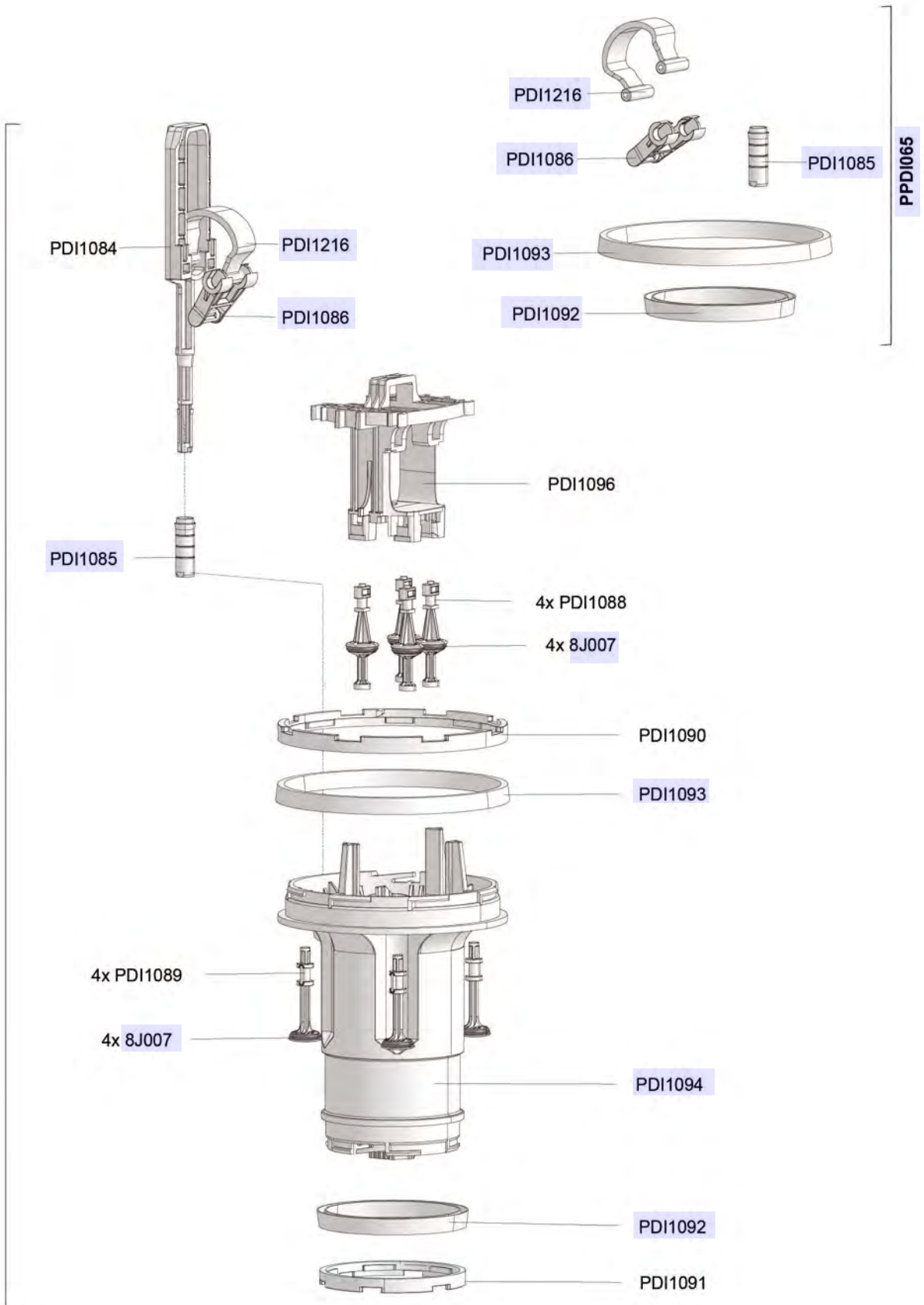
0.5 - 8 bar



D40MZ5

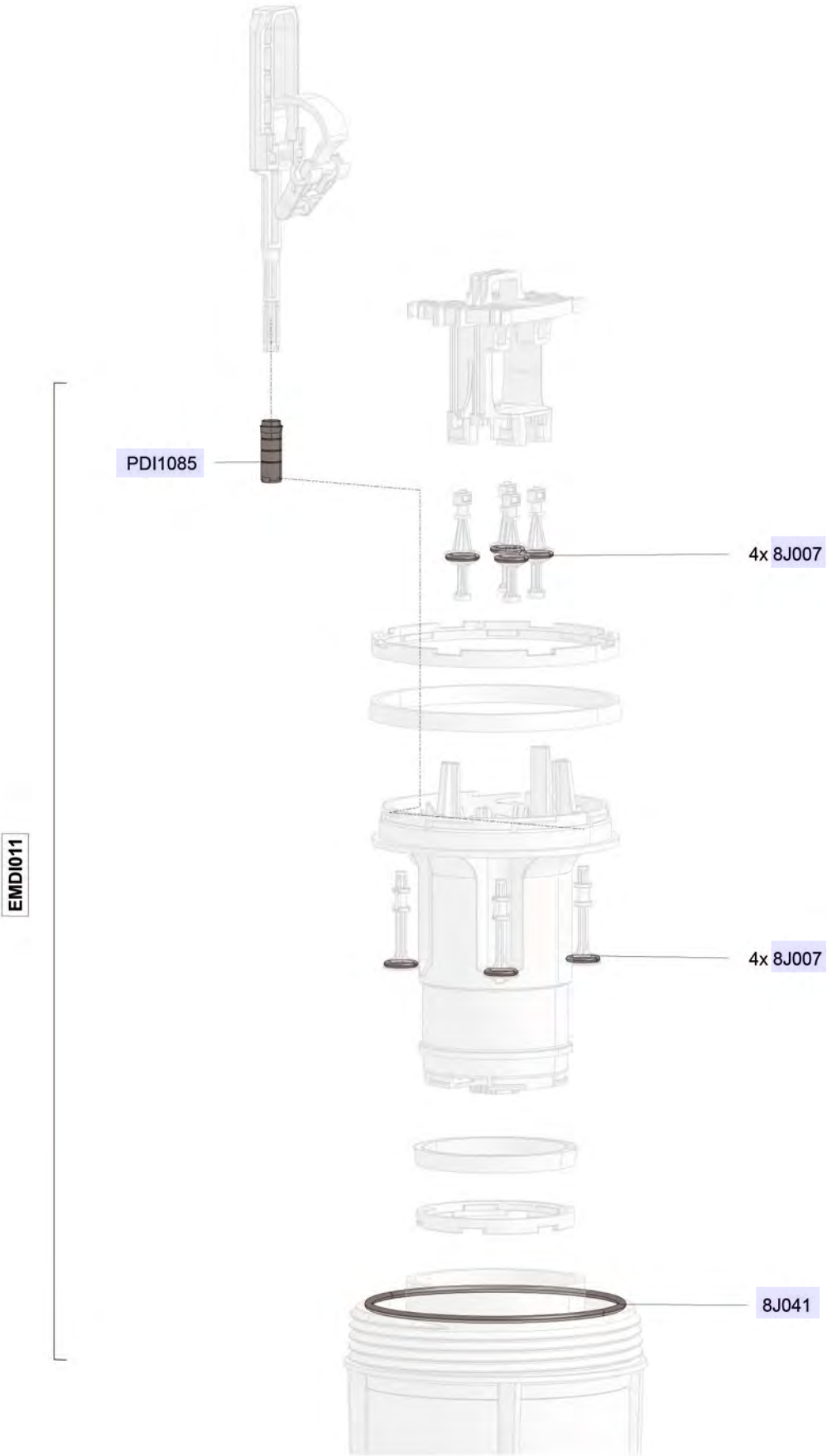
40 GPM - 1:100 - 1:20
9m³/h - 1 - 5%
7.2 - 116 psi
0.5 - 8 bar

PCDI032



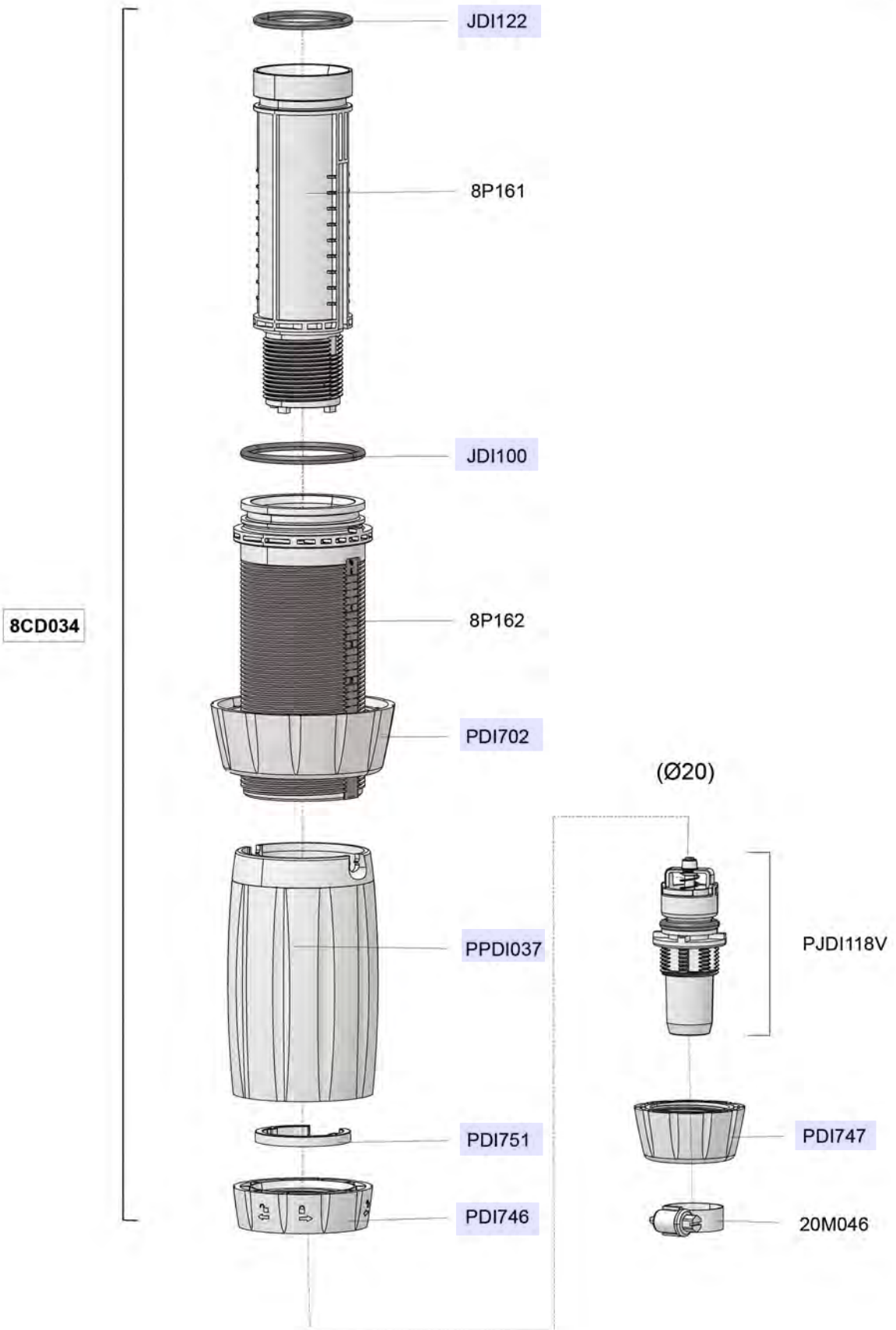
D40MZ5

40 GPM - 1:100 - 1:20
9m³/h - 1 - 5%
7.2 - 116 psi
0.5 - 8 bar



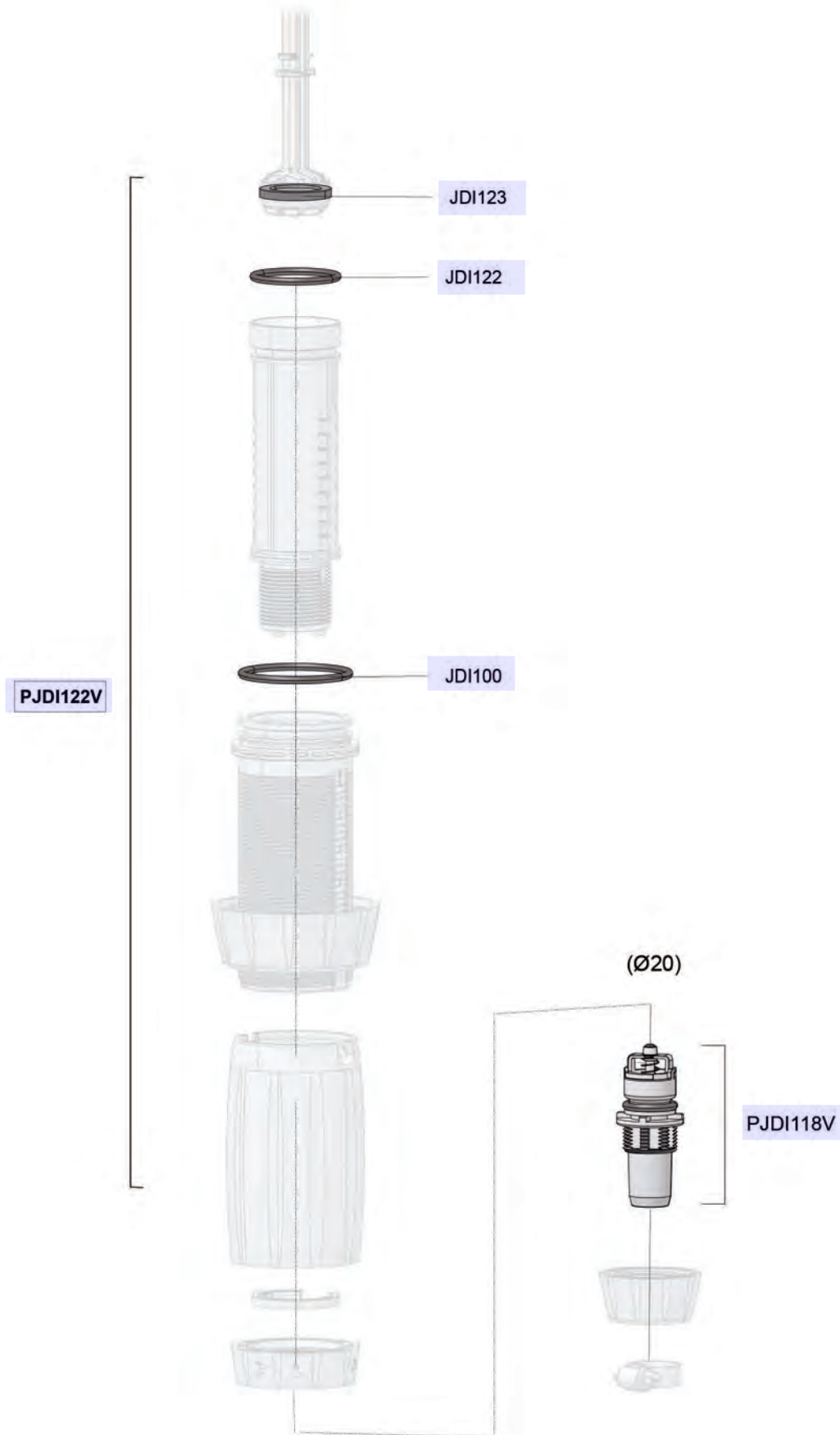
D40MZ5

40 GPM - 1:100 - 1:20
9m³/h - 1 - 5%
7.2 - 116 psi
0.5 - 8 bar



D40MZ5

40 GPM - 1:100 - 1:20
9m³/h - 1 - 5%
7.2 - 116 psi
0.5 - 8 bar



D40MZ5

40 GPM - 1:100 - 1:20
9m³/h - 1 - 5%
7.2 - 116 psi
0.5 - 8 bar

