



DOSATRON®

WATER POWERED DOSING TECHNOLOGY



D40MZ2 - 40 GPM INTERACTIVE SCHEMATICS

UNIT SPECIFICATIONS

- 1:500 - 1:50
- 4.3 - 116 PSI
- 1 1/2" NPT Connection

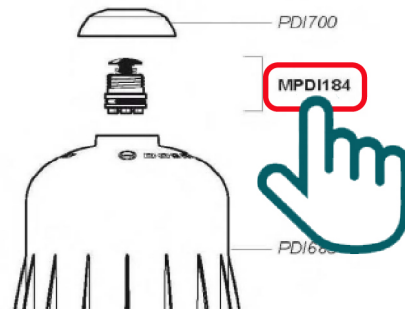
SUGGESTED INSTALLATION

- 200 mesh/80 micron water filter prior to the unit
- One-way check valve down-stream from the unit for water hammer protection

SUGGESTED MAINTENANCE

- Mini-Maintenance Kit
Part #: **PJDI120VMINI-H**
For regular maintenance
- Injection Seal Kit
Part #: **PJDI120V**
For yearly maintenance

DOCUMENT INSTRUCTIONS



- Click on a part #, to visit item page
- Click arrow back from item page, to return to this document



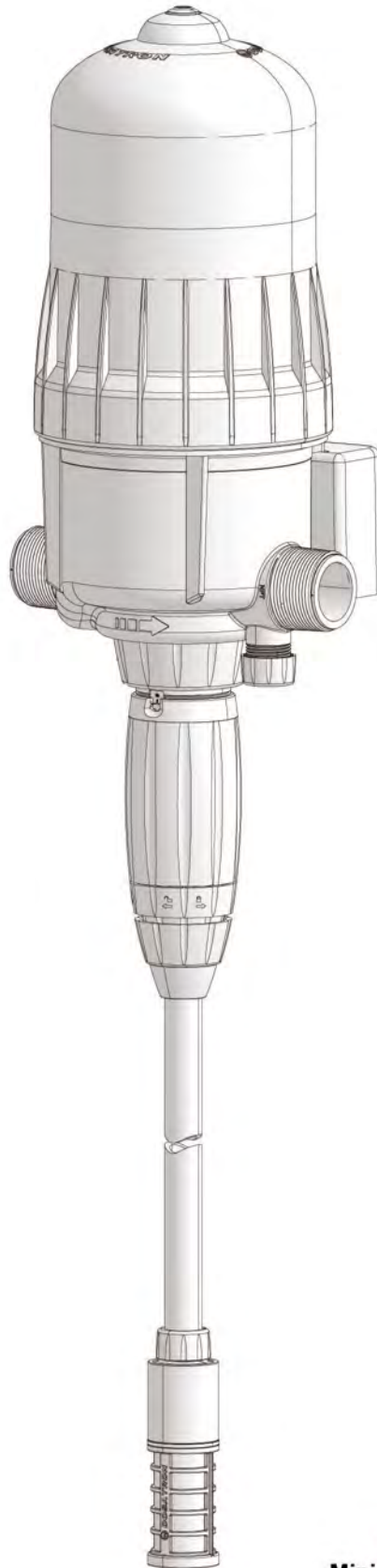
D40MZ2

40 GPM - 1:500 - 1:50

9m³/h - 0.2 - 2%

4.3 - 116 psi

0.3 - 8 bar



Injection Seal Kit Part #: PJD1120V
Mini Maintenance Kit #: PJD1120VMINI-H

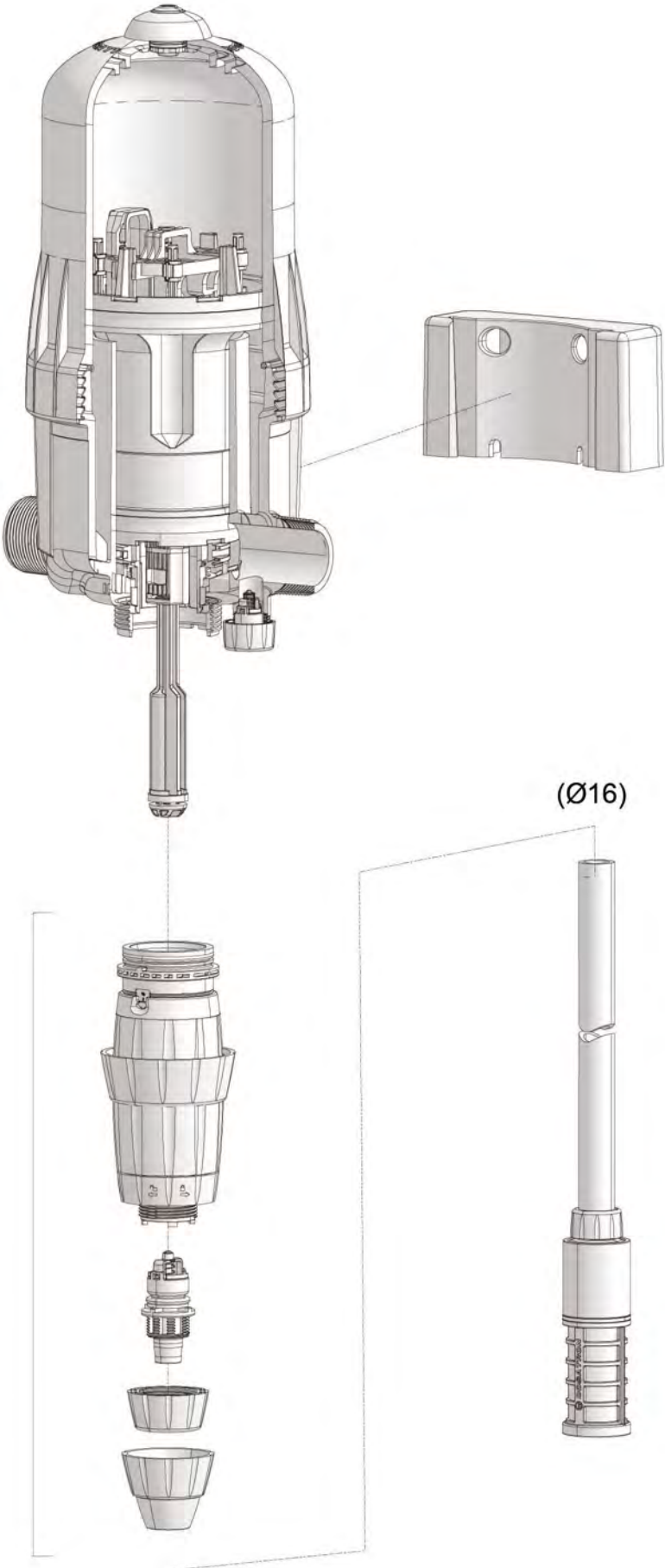
D40MZ2

40 GPM - 1:500 - 1:50

9m³/h - 0.2 - 2%

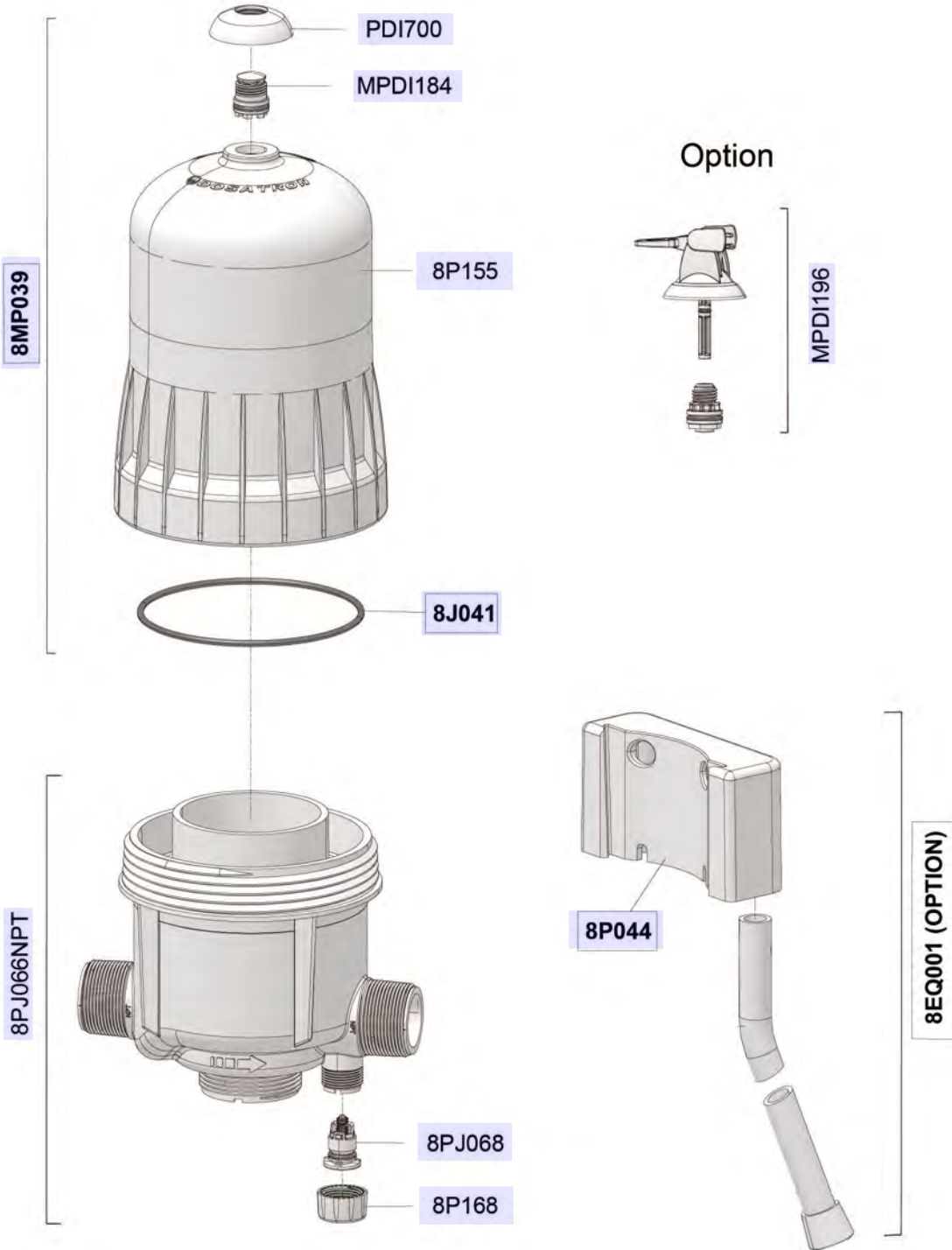
4.3 - 116 psi

0.3 - 8 bar



D40MZ2

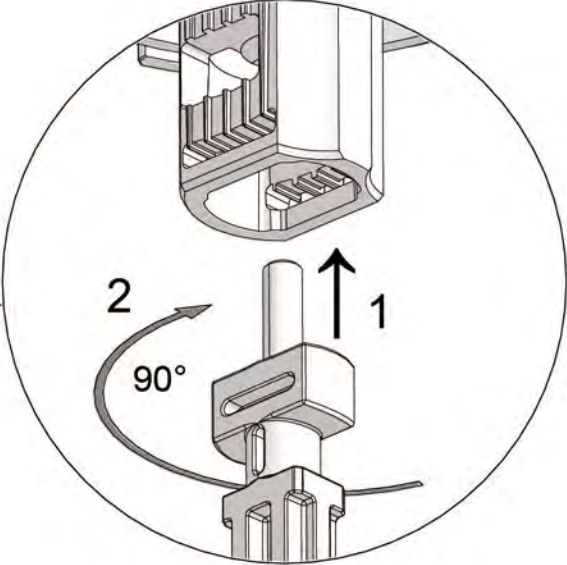
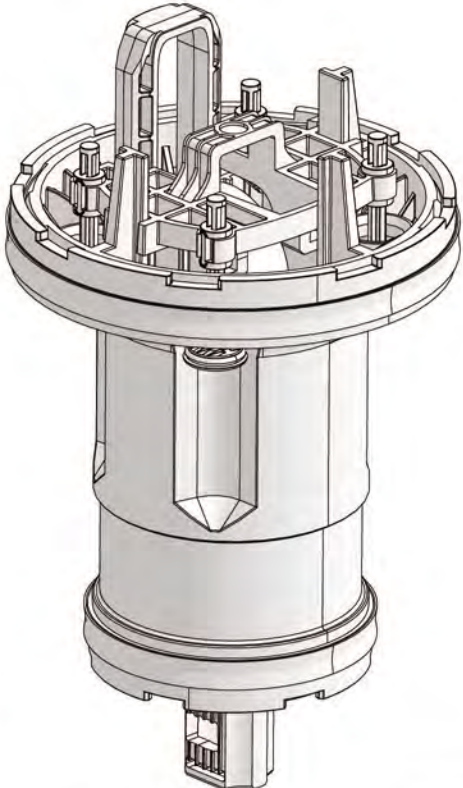
40 GPM - 1:500 - 1:50
9m³/h - 0.2 - 2%
4.3 - 116 psi
0.3 - 8 bar



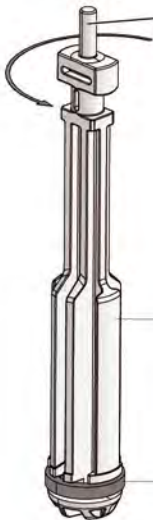
D40MZ2

40 GPM - 1:500 - 1:50
9m³/h - 0.2 - 2%
4.3 - 116 psi
0.3 - 8 bar

PCDI032



PJDI119

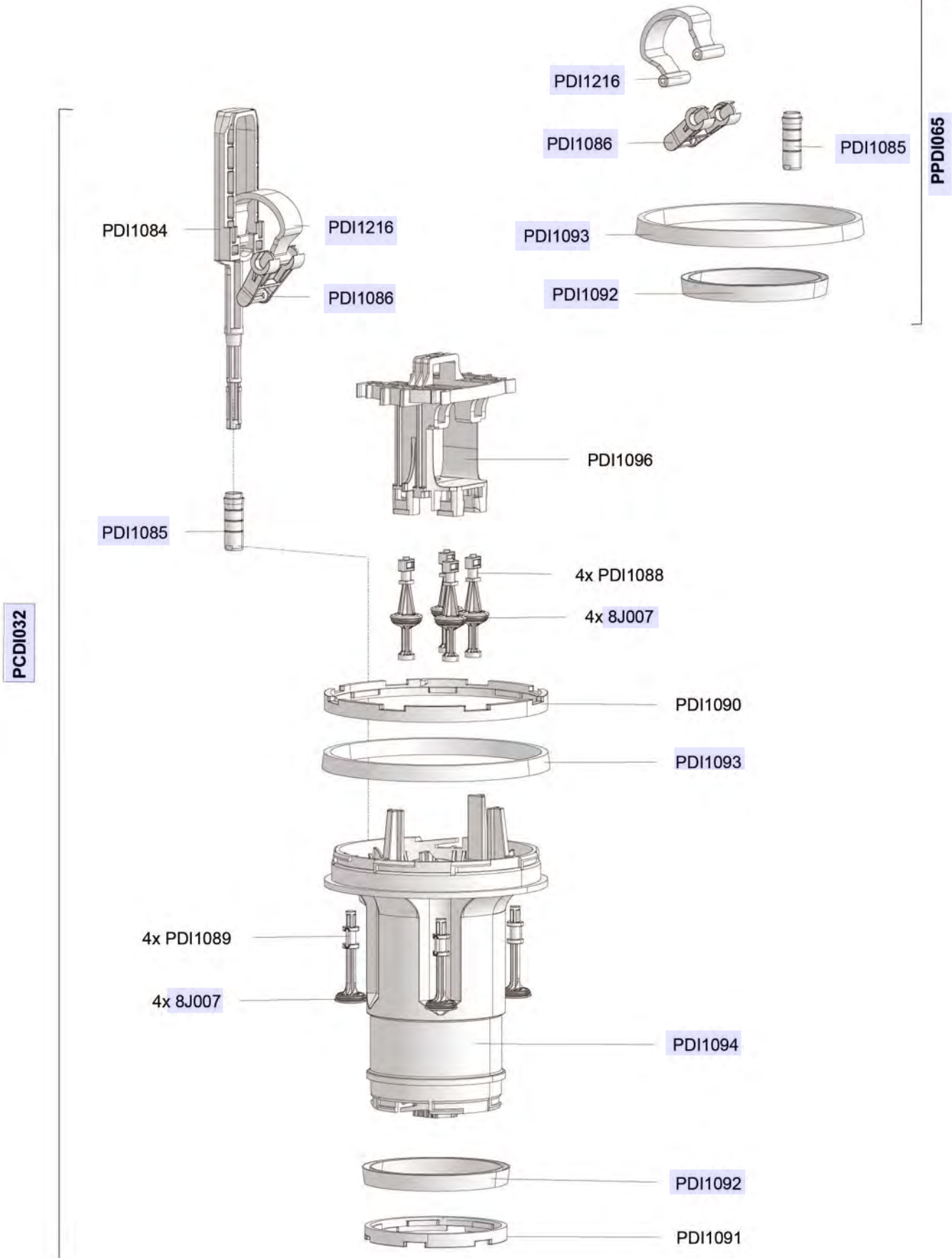


PDI754

JDI121

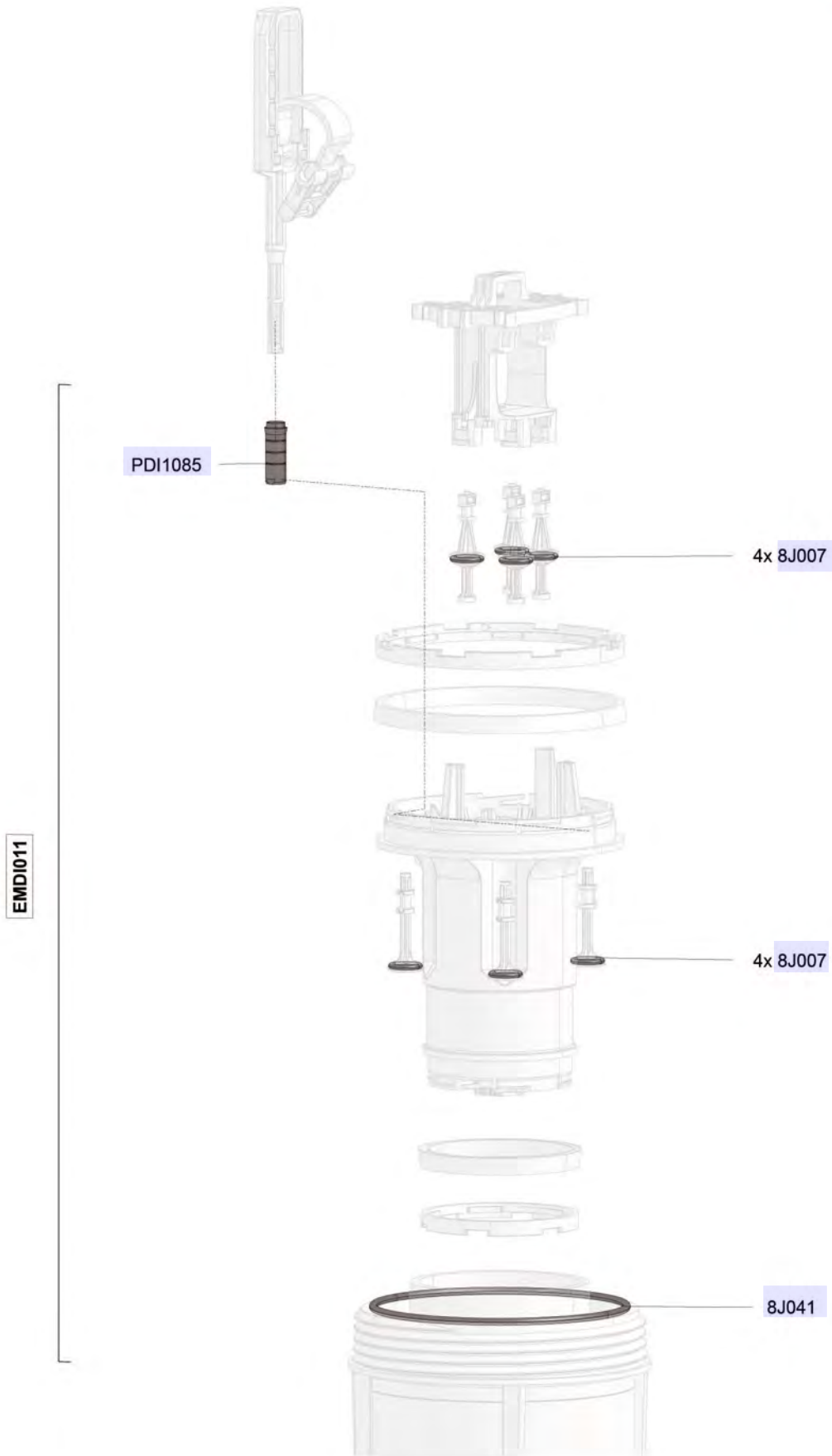
D40MZ2

40 GPM - 1:500 - 1:50
9m³/h - 0.2 - 2%
4.3 - 116 psi
0.3 - 8 bar



D40MZ2

40 GPM - 1:500 - 1:50
9m³/h - 0.2 - 2%
4.3 - 116 psi
0.3 - 8 bar



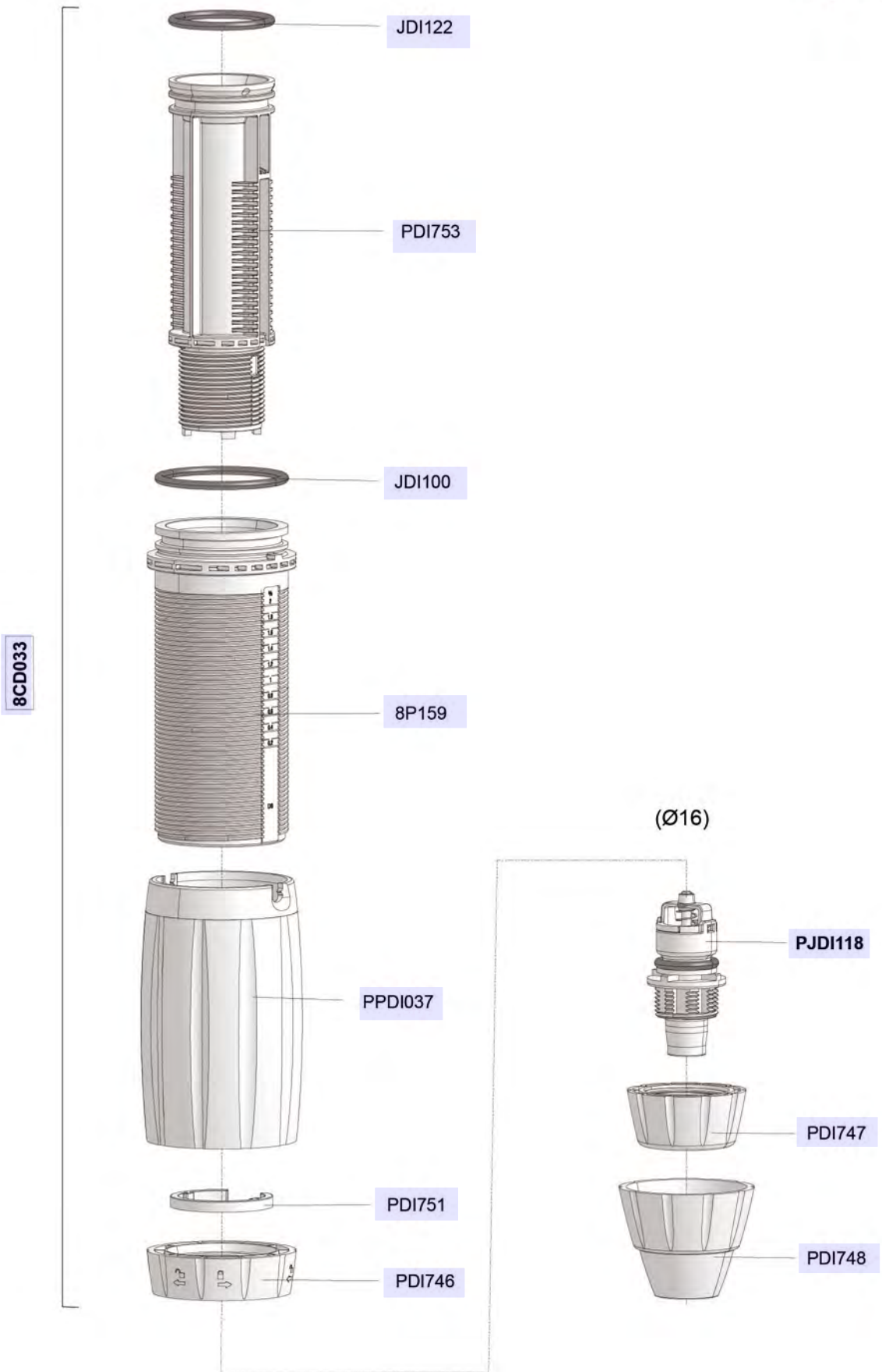
D40MZ2

40 GPM - 1:500 - 1:50

9m³/h - 0.2 - 2%

4.3 - 116 psi

0.3 - 8 bar



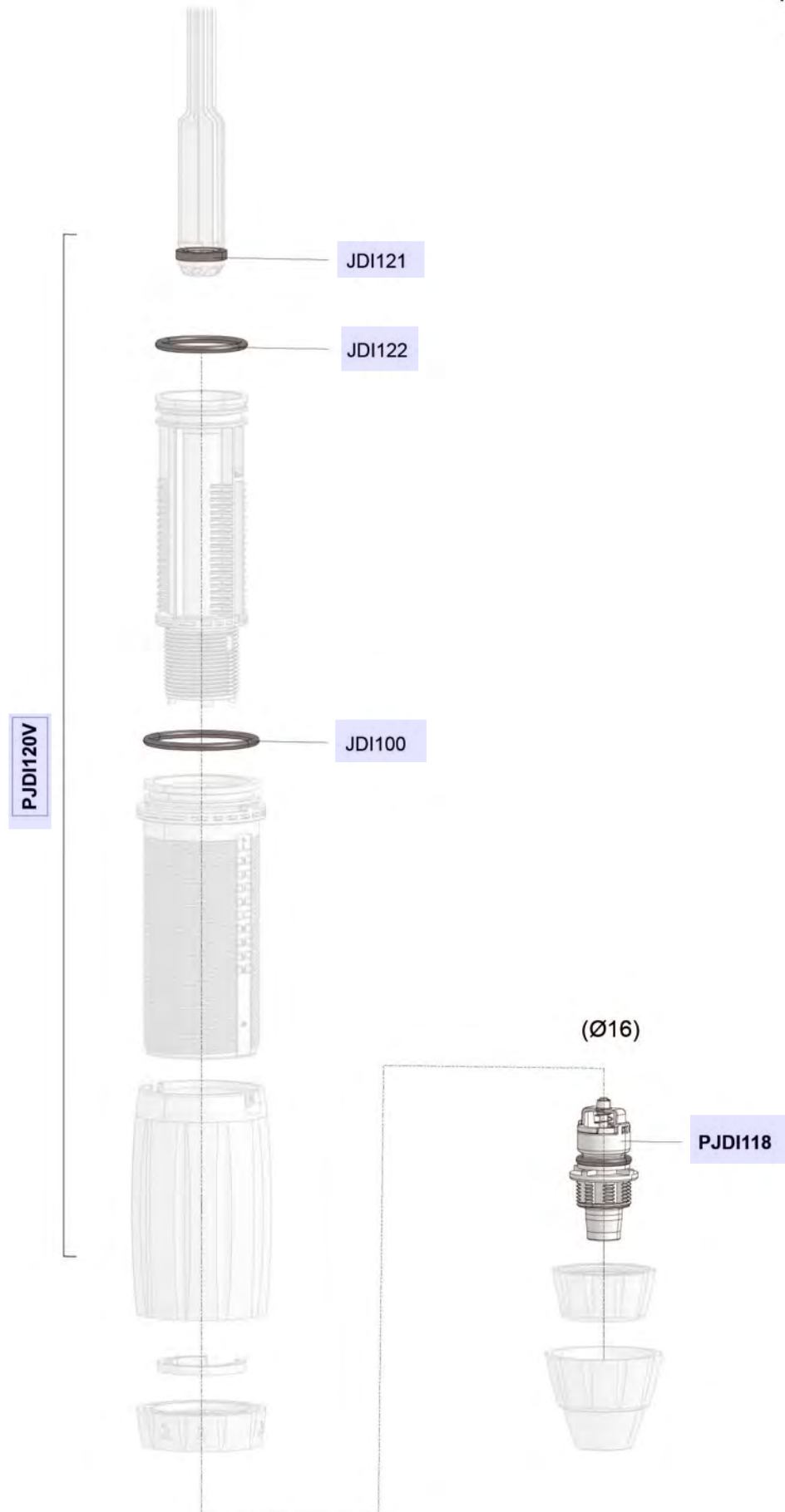
D40MZ2

40 GPM - 1:500 - 1:50

9m³/h - 0.2 - 2%

4.3 - 116 psi

0.3 - 8 bar



D40MZ2

40 GPM - 1:500 - 1:50

9m³/h - 0.2 - 2%

4.3 - 116 psi

0.3 - 8 bar

(Ø16)

