



# SCHEMATICS

Dosatron Liquid Dispenser

**Model # D40MZ1000 - 40 GPM**

1:1000 - 1:100

4.3 - 116 PSI

**Suggested Installation:**

200 mesh/80 micron water filter prior to unit

One-way water hammer arrestor downstream from unit  
for water hammer protection

**Suggested Maintenance:**

Replace injection seals every 12 months

**DOSATRON SALES & SERVICE - NORTH & CENTRAL AMERICA**

---

Dosatron International, LLC

Phone: 727-443-5404 Service: (800) 523-8499

Fax: 727-447-0591

[www.dosatron.com](http://www.dosatron.com)

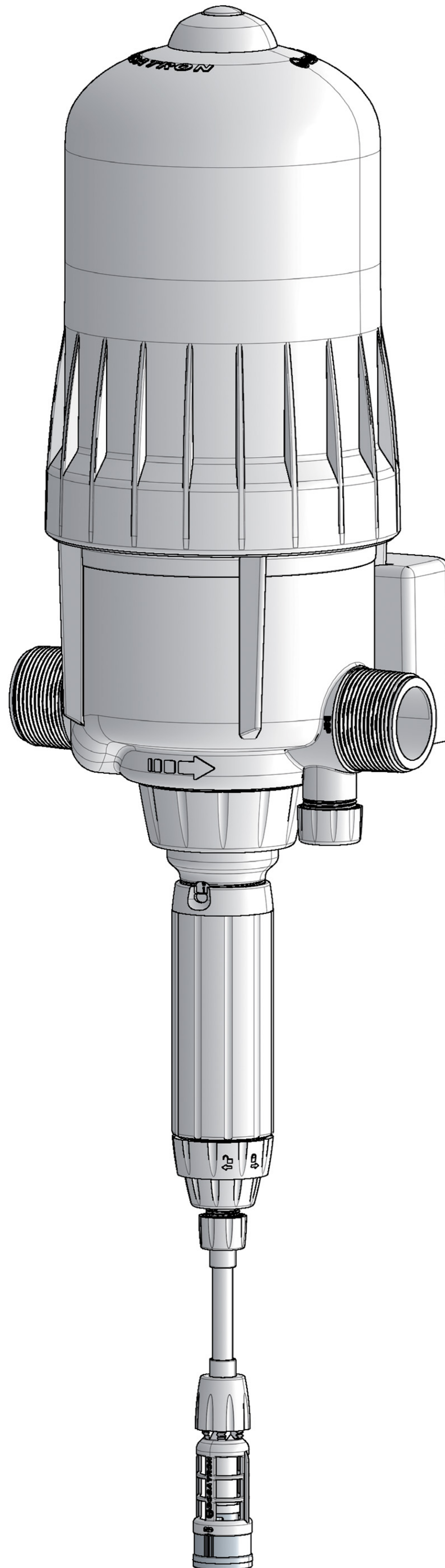
# D40MZ1000

40GPM - 1:1000 - 1:100

$9m^3/h$  - 0.1 - 1%

4.3 - 116 psi

0.3 - 8 bar



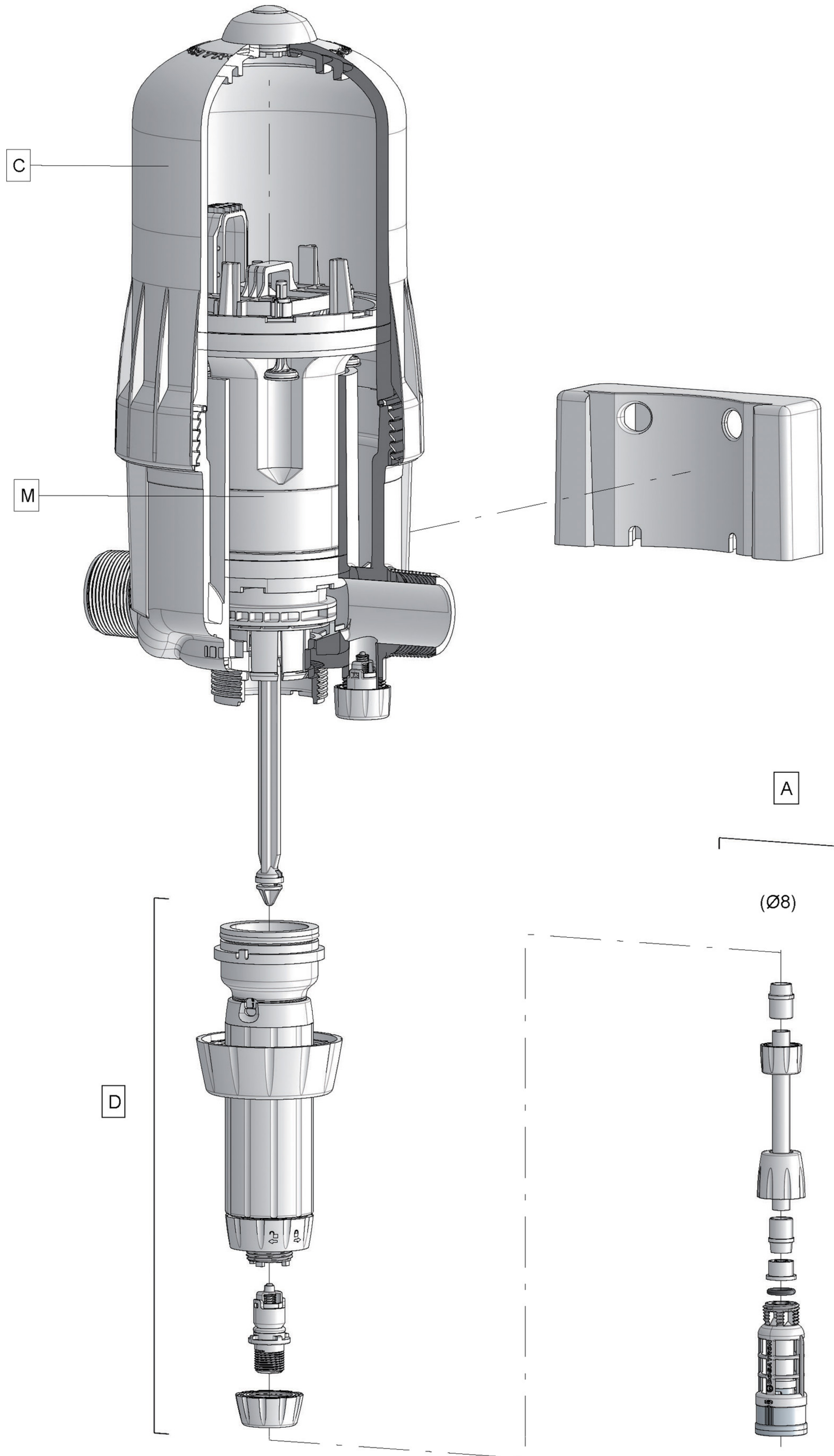
# D40MZ1000

40GPM - 1:1000 - 1:100

9m<sup>3</sup>/h - 0.1 - 1%

4.3 - 116 psi

0.3 - 8 bar



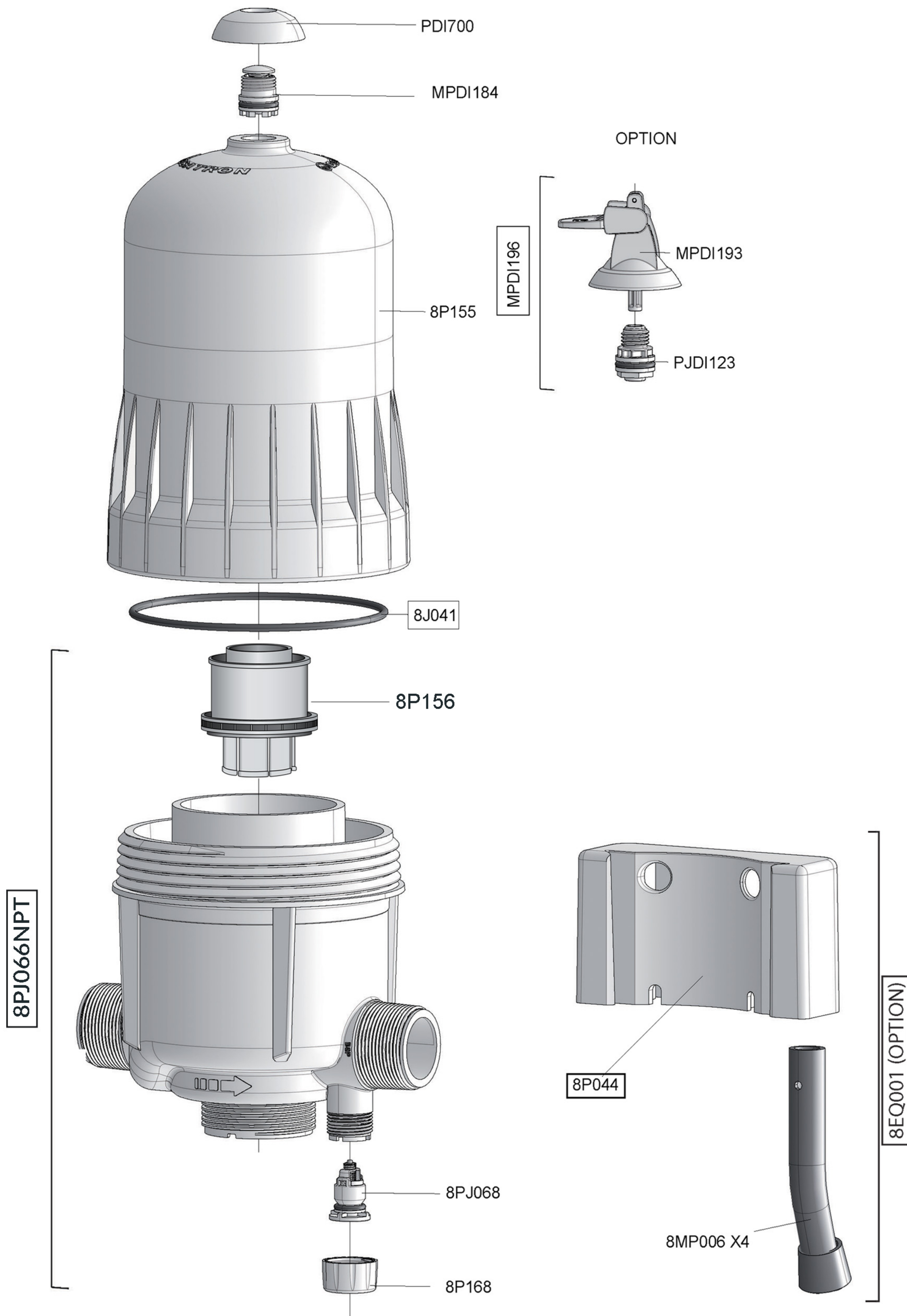
# D40MZ1000

40GPM - 1:1000 - 1:100

9m<sup>3</sup>/h - 0.1 - 1%

4.3 - 116 psi

0.3 - 8 bar



C

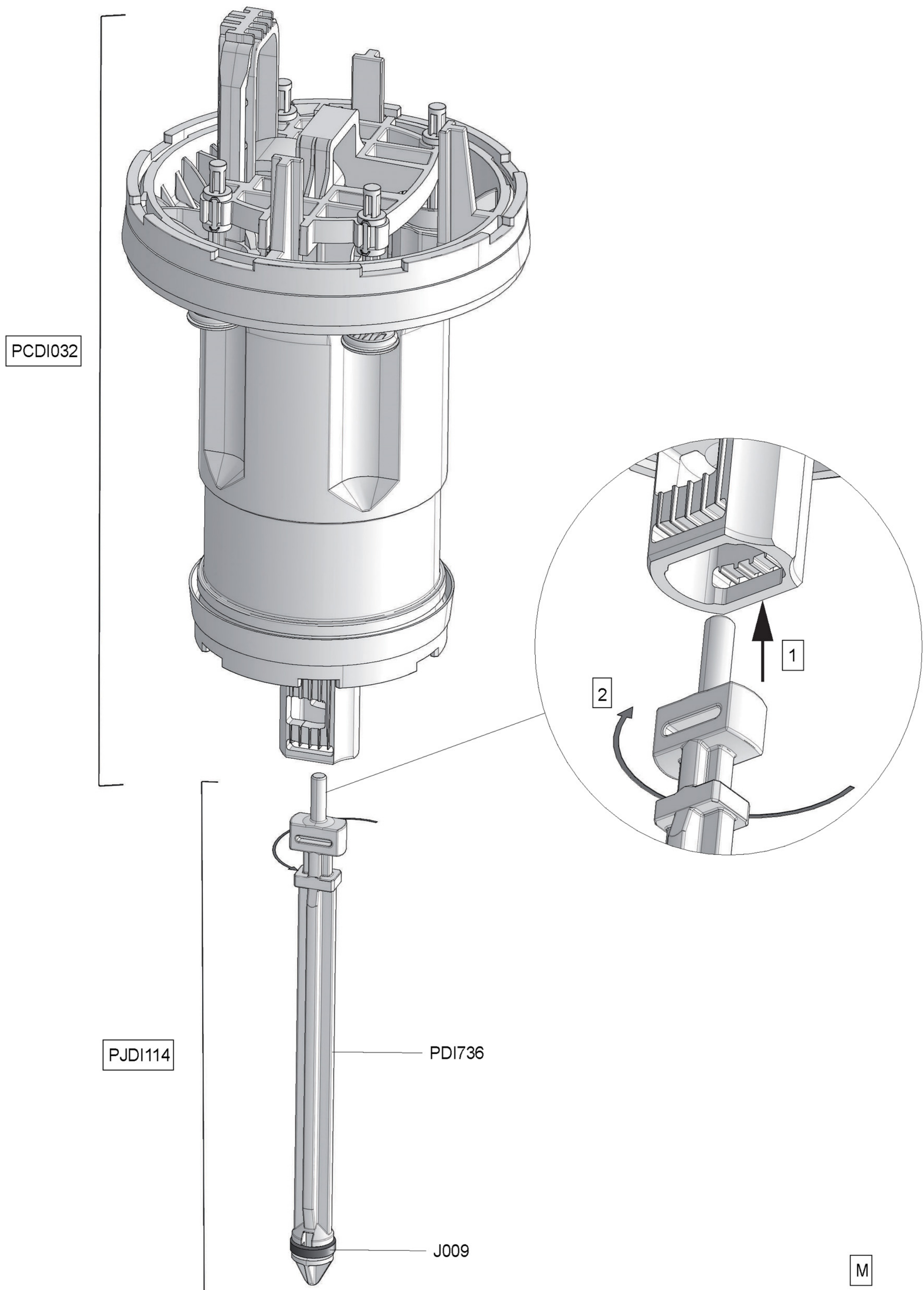
# D40MZ1000

40GPM - 1:1000 - 1:100

9m<sup>3</sup>/h - 0.1 - 1%

4.3 - 116 psi

0.3 - 8 bar



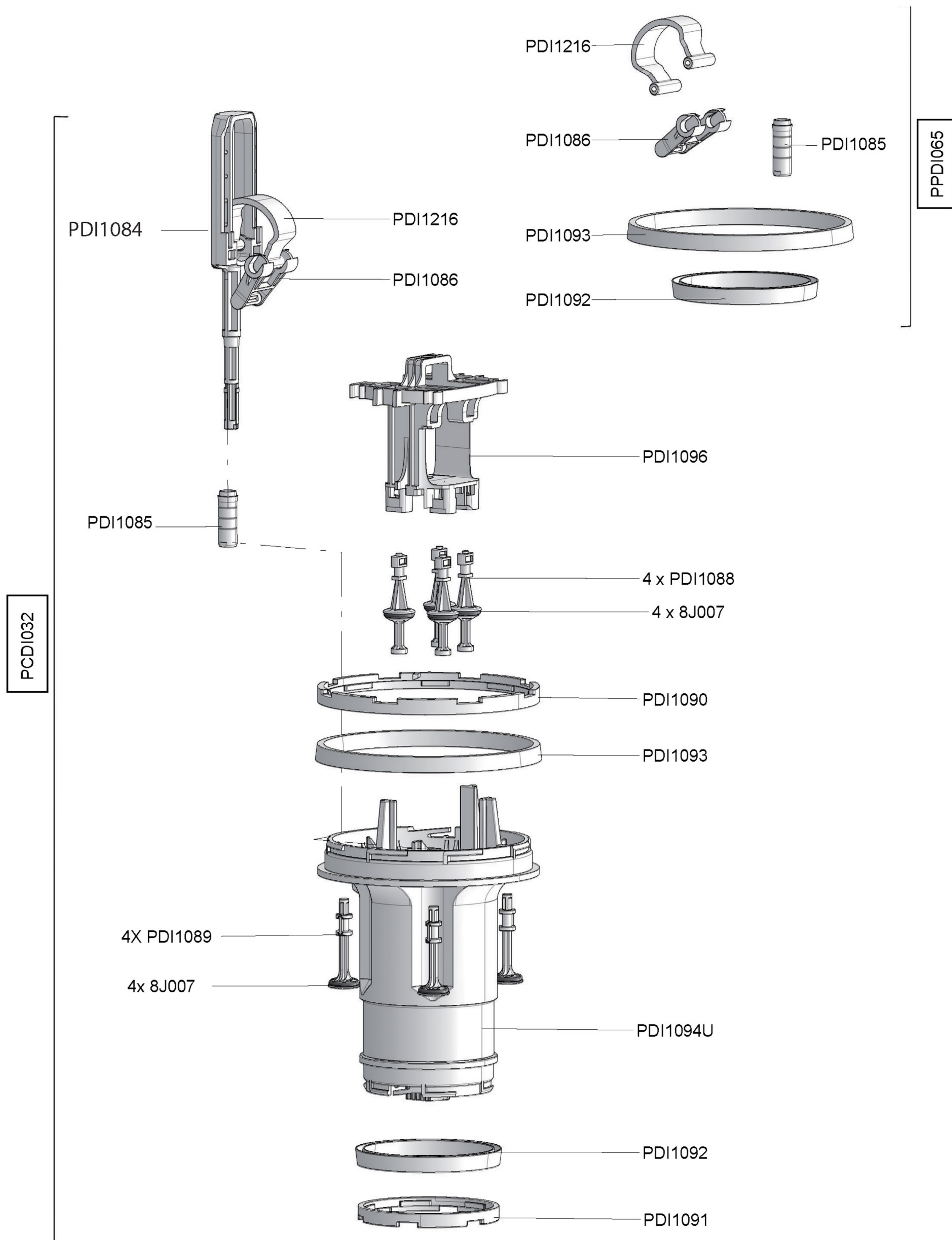
# D40MZ1000

40GPM - 1:1000 - 1:100

9m<sup>3</sup>/h - 0.1 - 1%

4.3 - 116 psi

0.3 - 8 bar



M

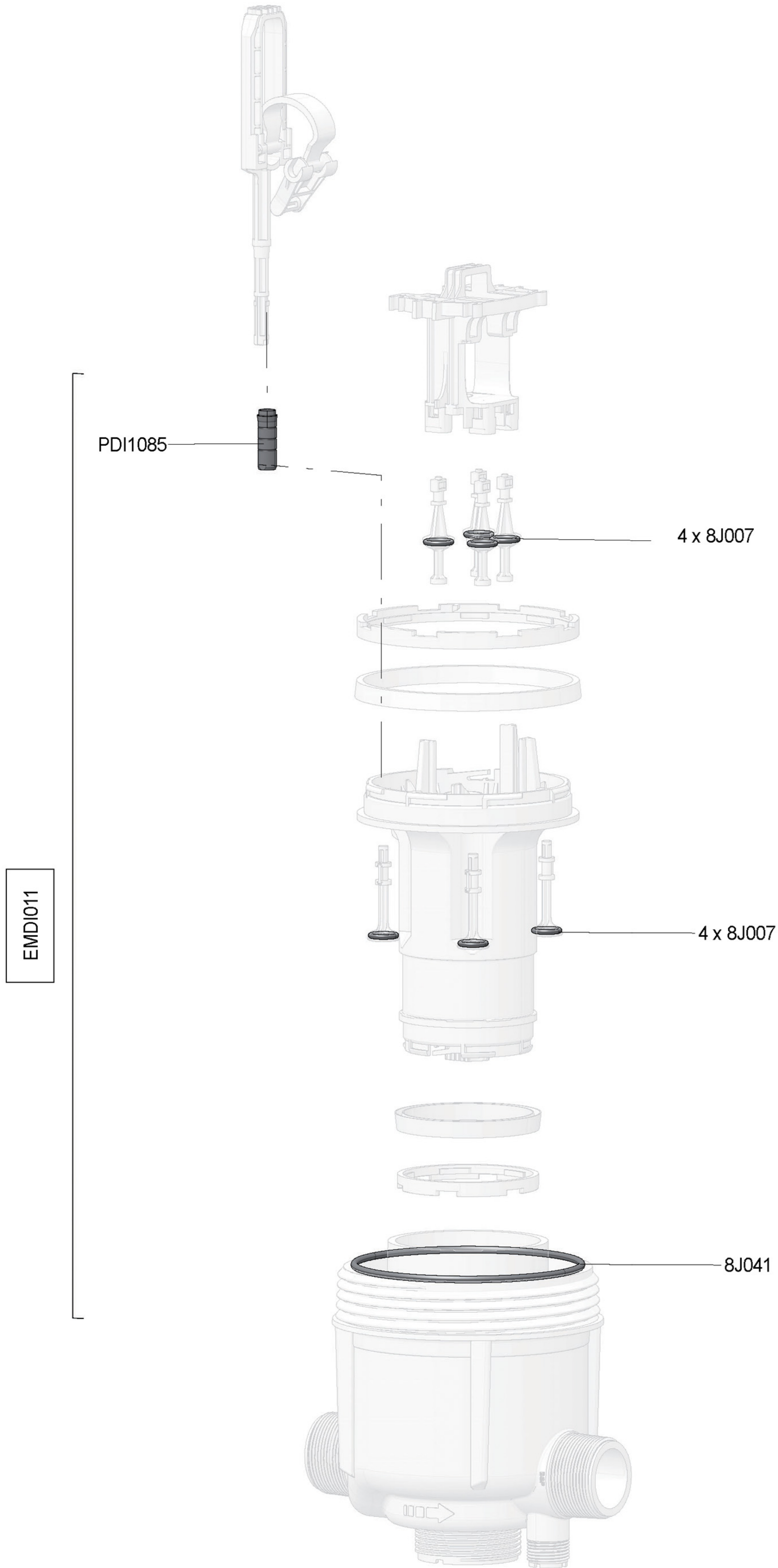
# D40MZ1000

40GPM - 1:1000 - 1:100

9m<sup>3</sup>/h - 0.1 - 1%

4.3 - 116 psi

0.3 - 8 bar



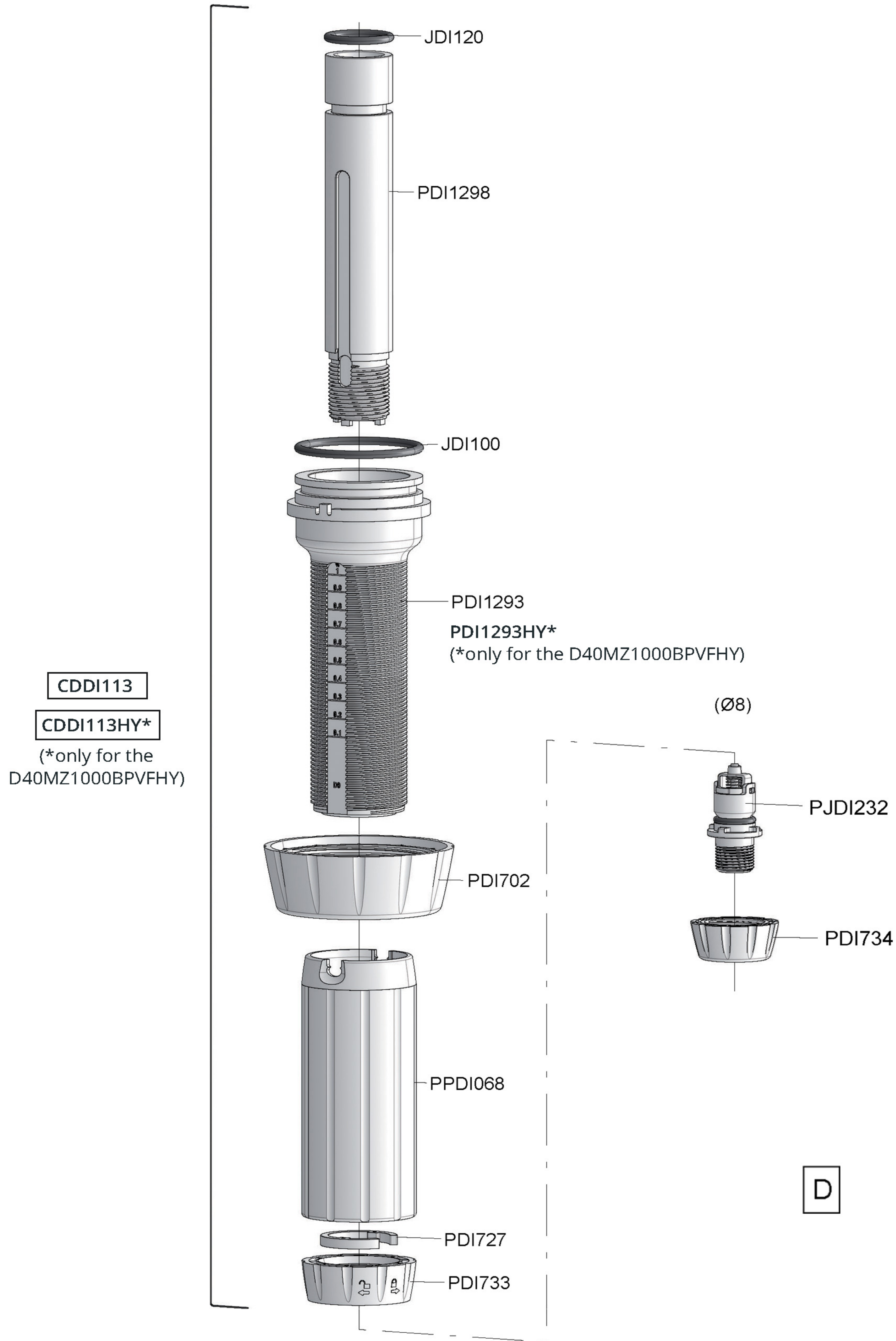
# D40MZ1000

40GPM - 1:1000 - 1:100

9m<sup>3</sup>/h - 0.1 - 1%

4.3 - 116 psi

0.3 - 8 bar





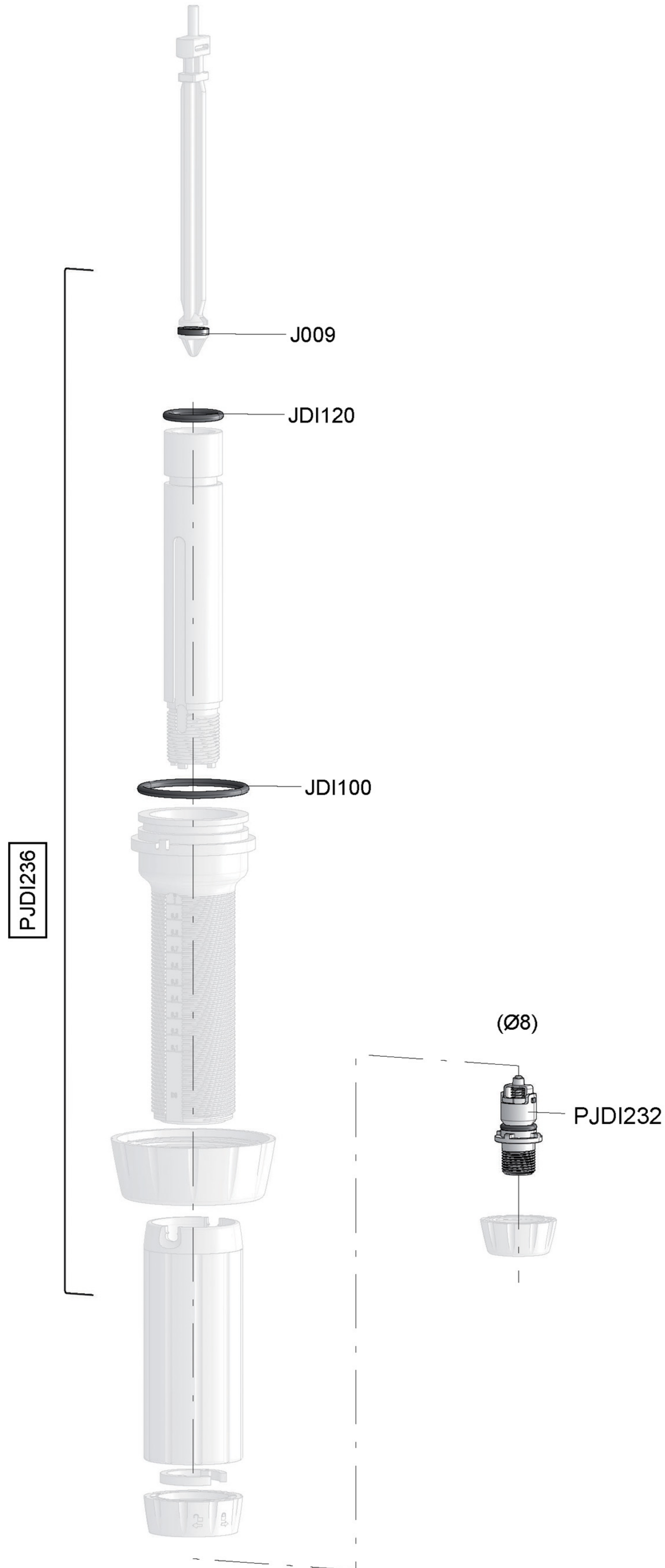
# D40MZ1000

40GPM - 1:1000 - 1:100

$9m^3/h$  - 0.1 - 1%

4.3 - 116 psi

0.3 - 8 bar



D

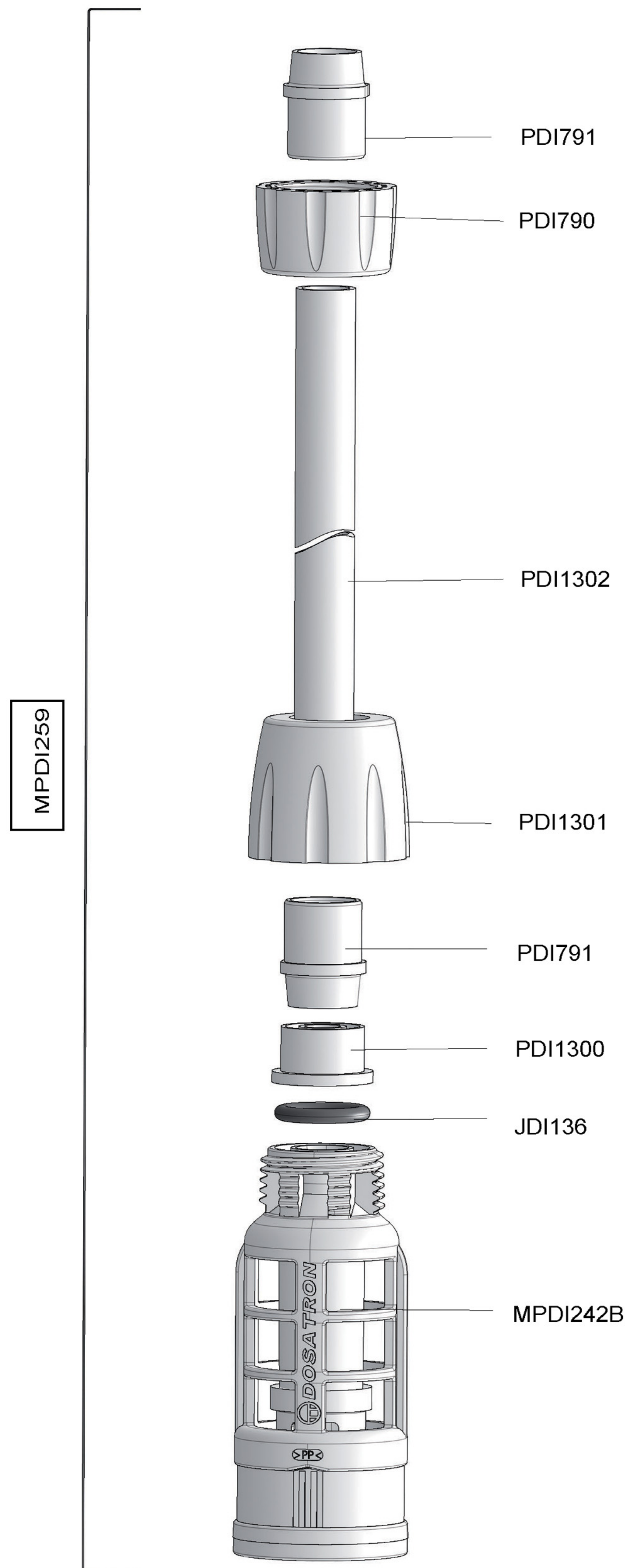
# D40MZ1000

40GPM - 1:1000 - 1:100

$9m^3/h - 0.1 - 1\%$

4.3 - 116 psi

0.3 - 8 bar



A