



# DOSATRON®

An Ingersoll Rand Business



## D25RE10 - 8.8 GPM INTERACTIVE SCHEMATICS

### UNIT SPECIFICATIONS

- 1:33 - 1:10
- 4.3 - 58 PSI
- 3/4" NPT Connection

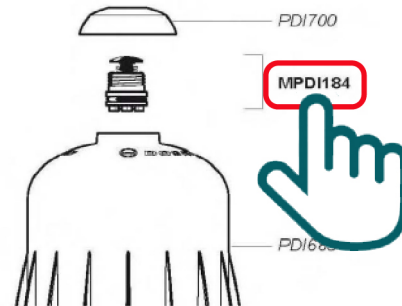
### SUGGESTED INSTALLATION

- 200 mesh/80 micron water filter prior to the unit

### SUGGESTED MAINTENANCE

- Injection Seal Kit  
Part #: [PJ120](#)  
For yearly maintenance

### DOCUMENT INSTRUCTIONS

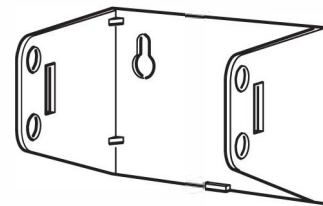
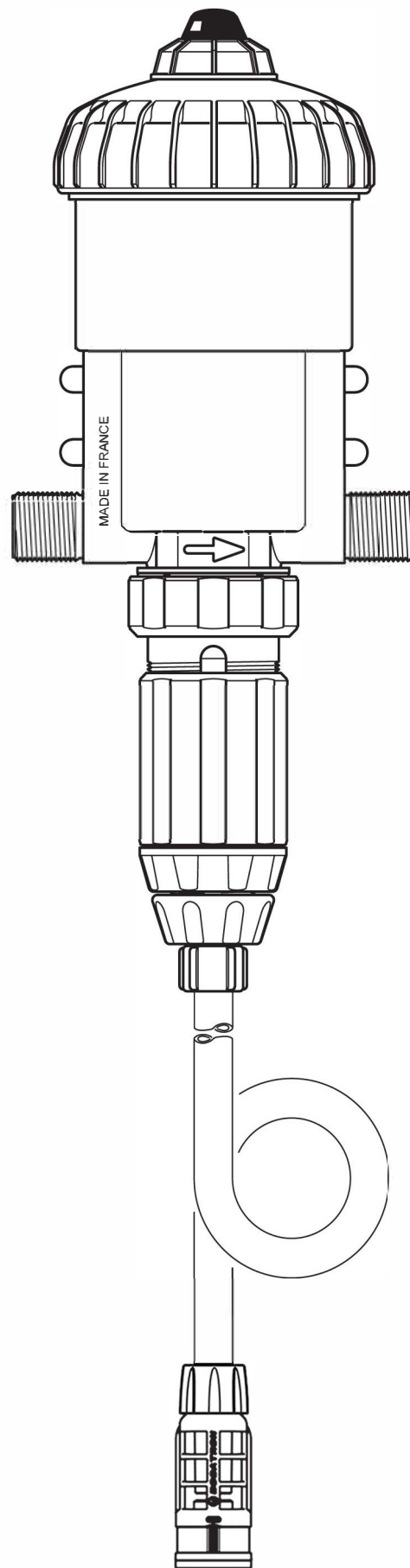


- Click on a part #, to visit item page
- Click arrow back from item page, to return to this document



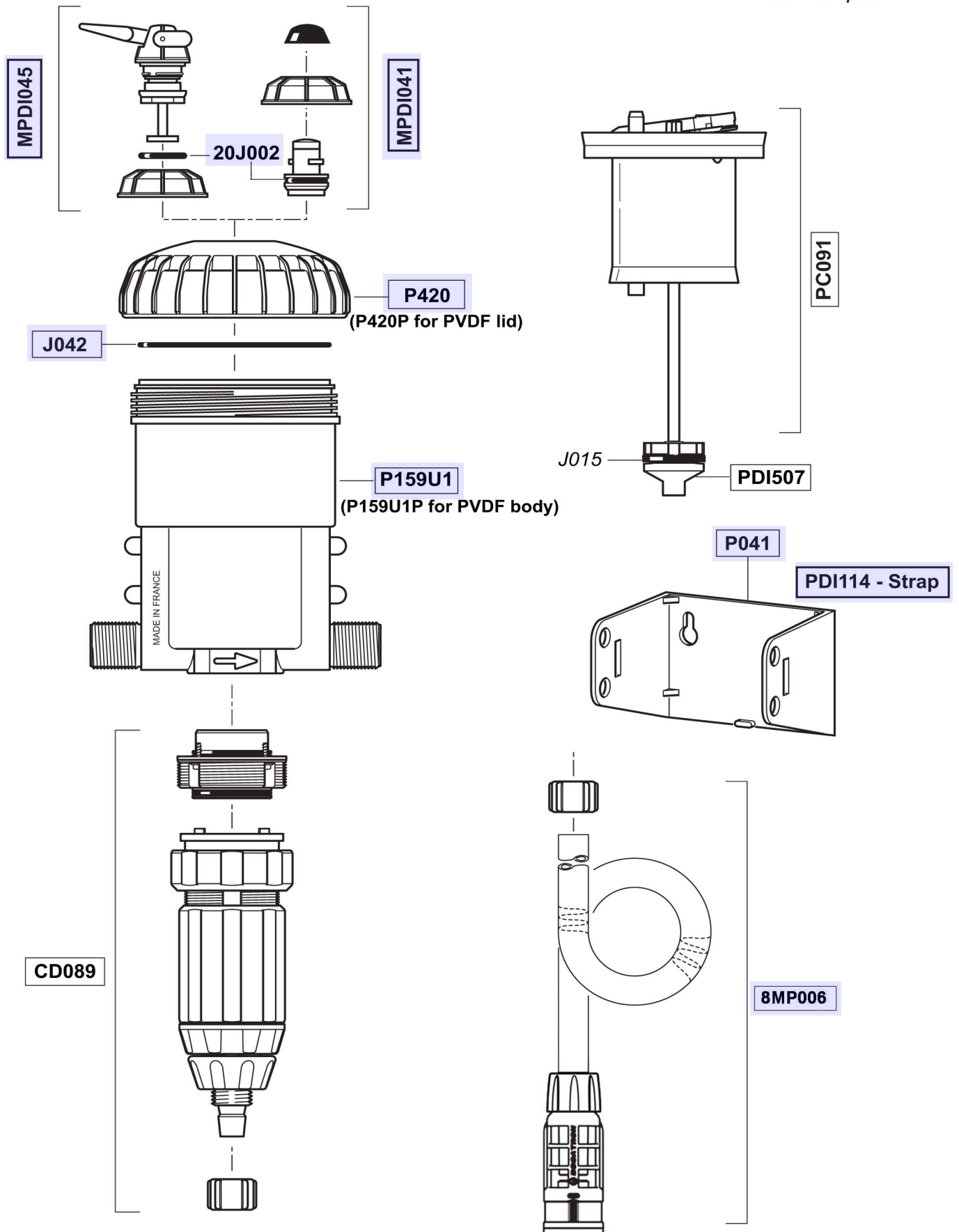
# D25RE10

8.8 GPM - 1:33 - 1:10  
4.3 - 57 psi



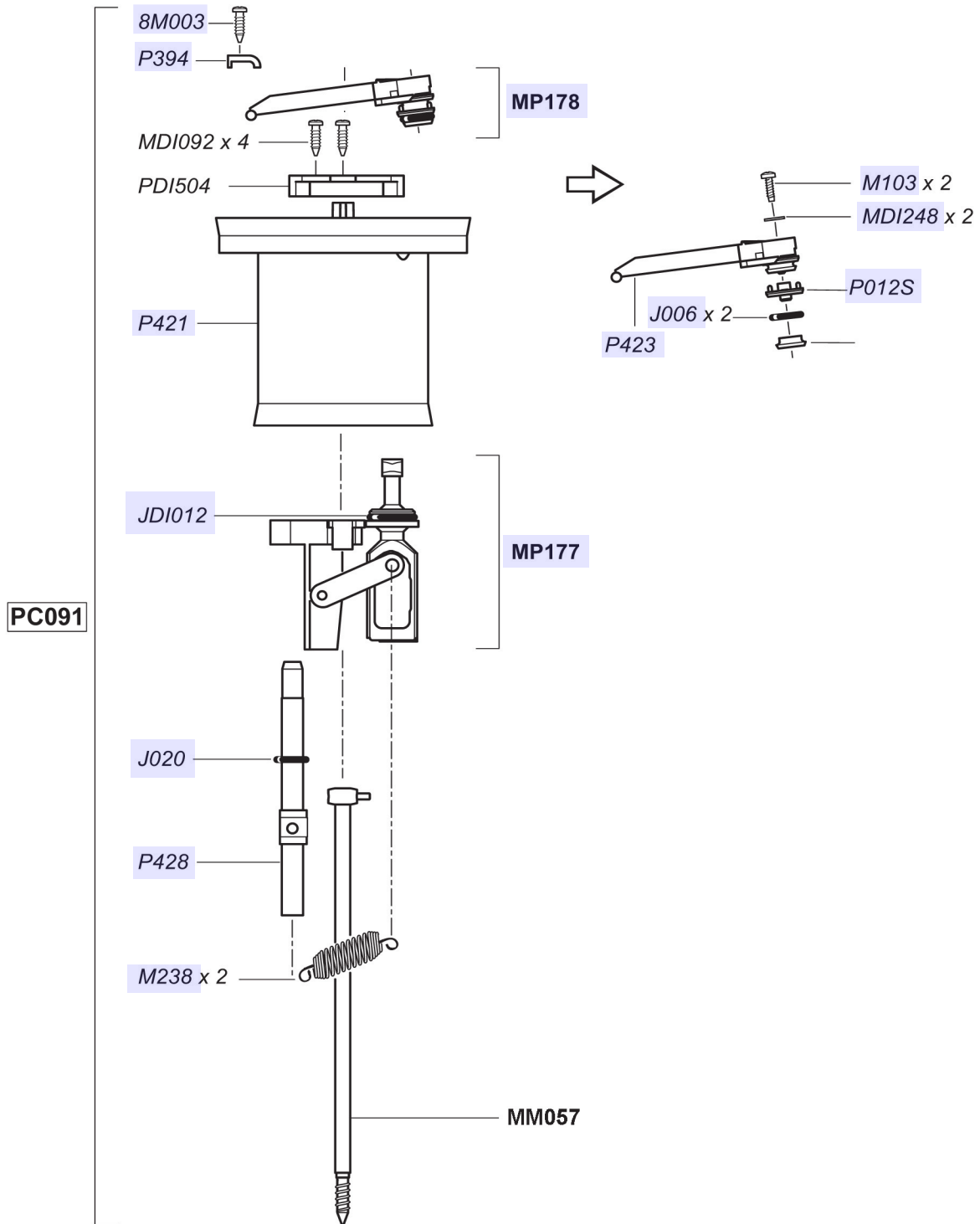
# D25RE10

8.8 GPM - 1:33 - 1:10  
4.3 - 57 psi



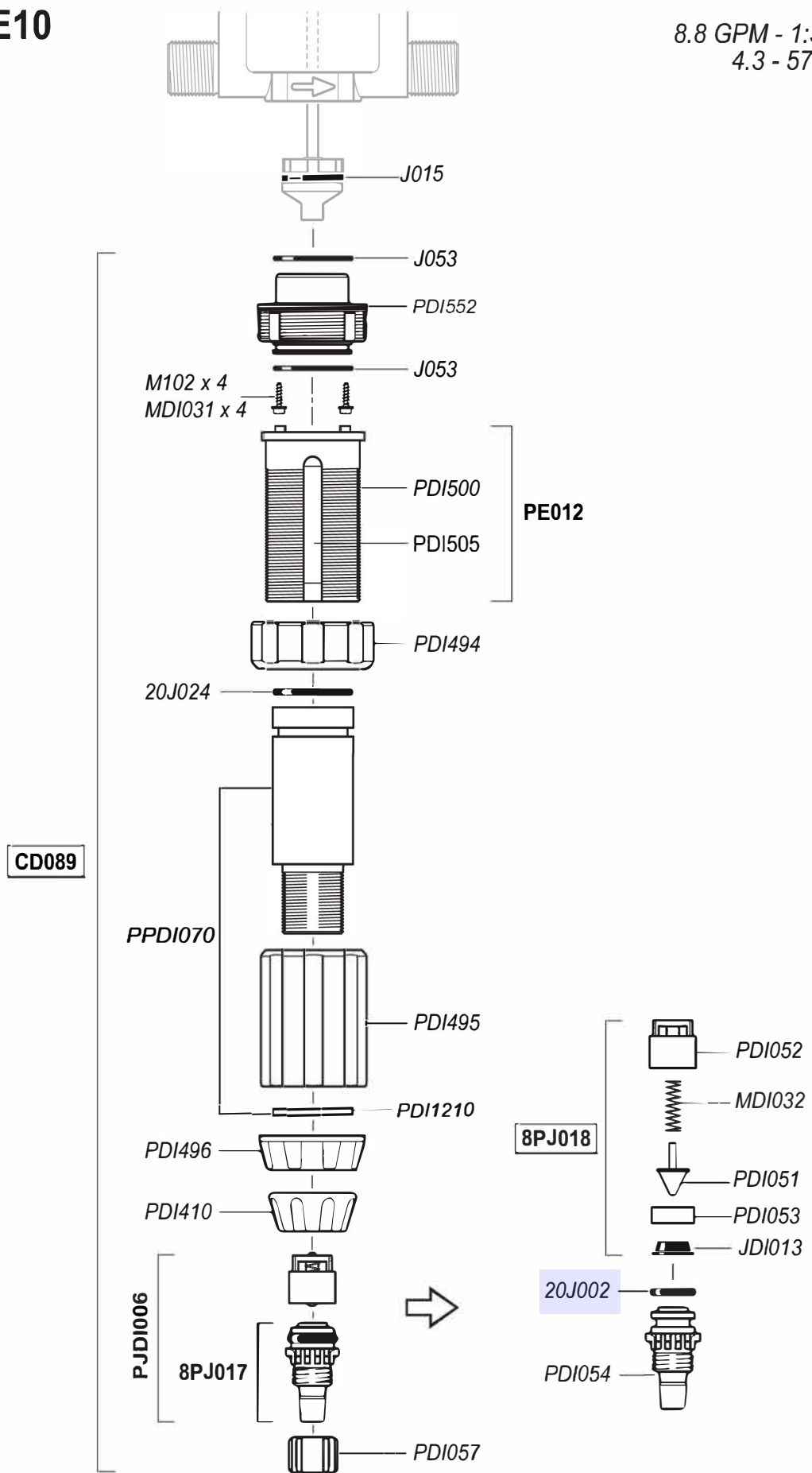
# D25RE10

8.8 GPM - 1:33 - 1:10  
4.3 - 57 psi



# D25RE10

8.8 GPM - 1:33 - 1:10  
4.3 - 57 psi

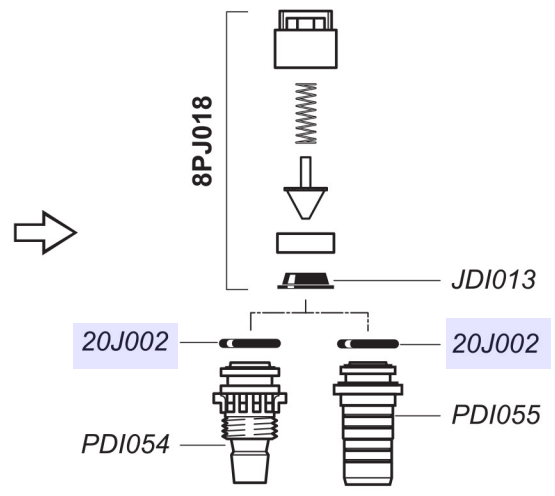
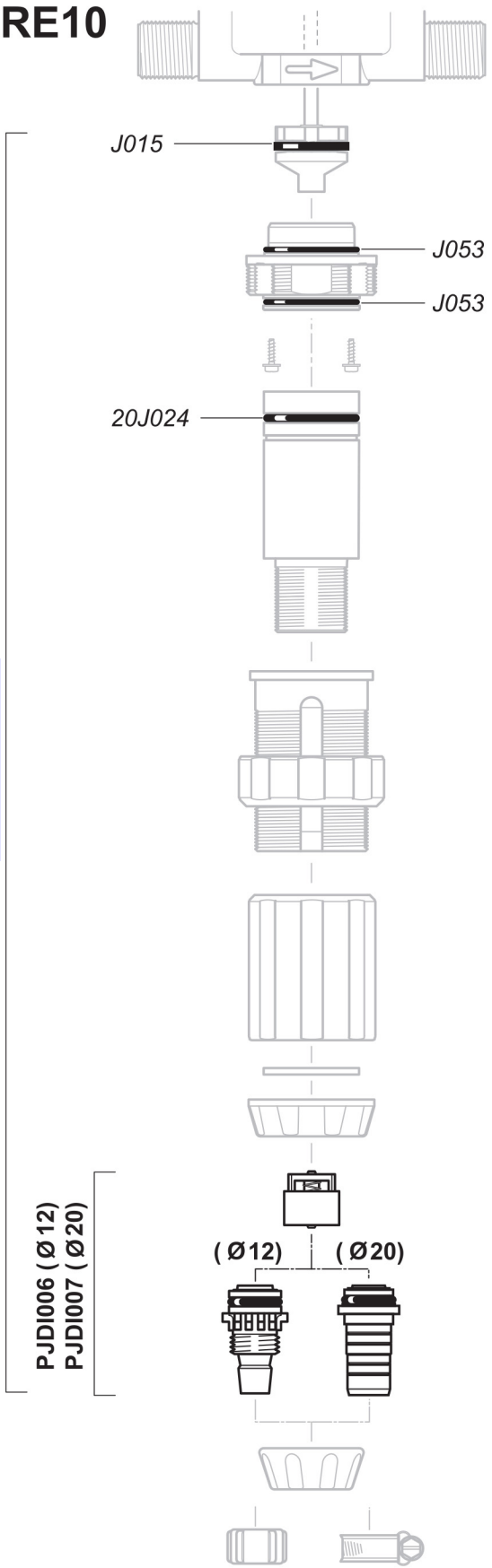


# D25RE10

8.8 GPM - 1:33 - 1:10  
4.3 - 57 psi

PJ120 (Ø 12)  
PJ120V (Ø 20)

© DOSATRON INTERNATIONAL S.A.S. 2008



**D**

# D25RE10

8.8 GPM - 1:33 - 1:10  
4.3 - 57 psi

