



DOSATRON®

An Ingersoll Rand Business



D25RE10-IE - 8.8 GPM INTERACTIVE SCHEMATICS

UNIT SPECIFICATIONS

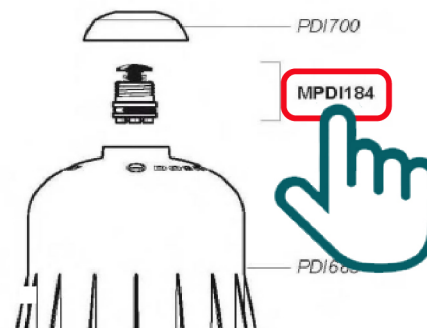
- 1:33 - 1:10
- 4.3 - 58 PSI
- 3/4" NPT Connection

SUGGESTED INSTALLATION

- 200 mesh/80 micron water filter prior to the unit

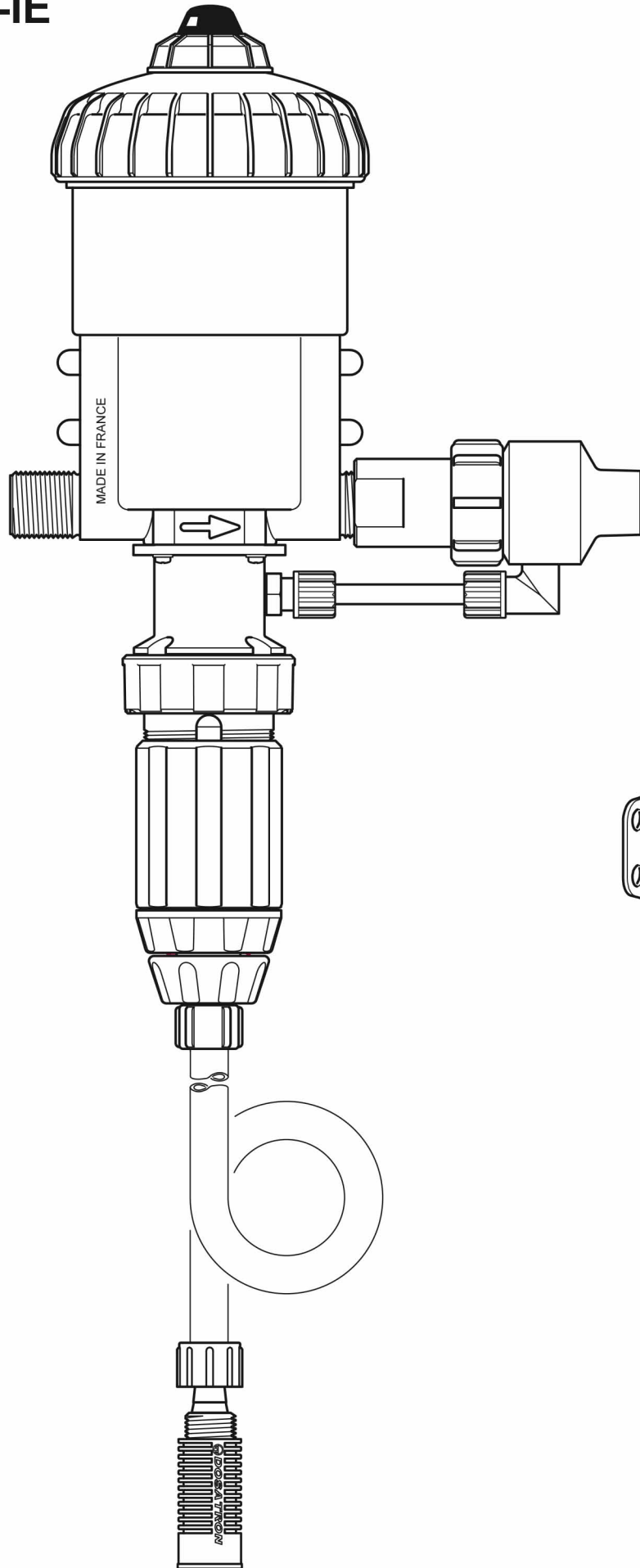
DOCUMENT INSTRUCTIONS

- Click on a part #, to visit item page
- Click arrow back from item page, to return to this document



D25RE10-IE

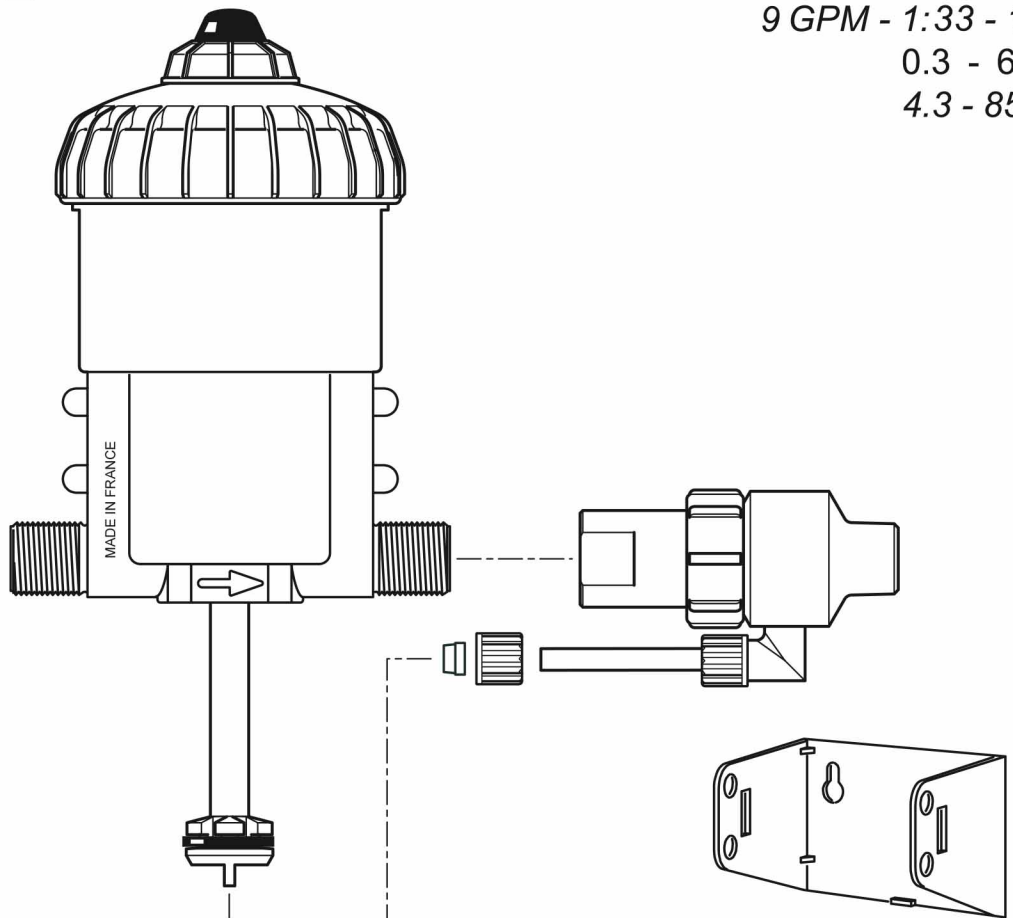
2 m³/h - 3 - 10%
9 GPM - 1:33 - 1:10
0.3 - 6 bar
4.3 - 85 psi



D25RE10-IE

2 m³/h - 3 - 10%
9 GPM - 1:33 - 1:10
0.3 - 6 bar
4.3 - 85 psi

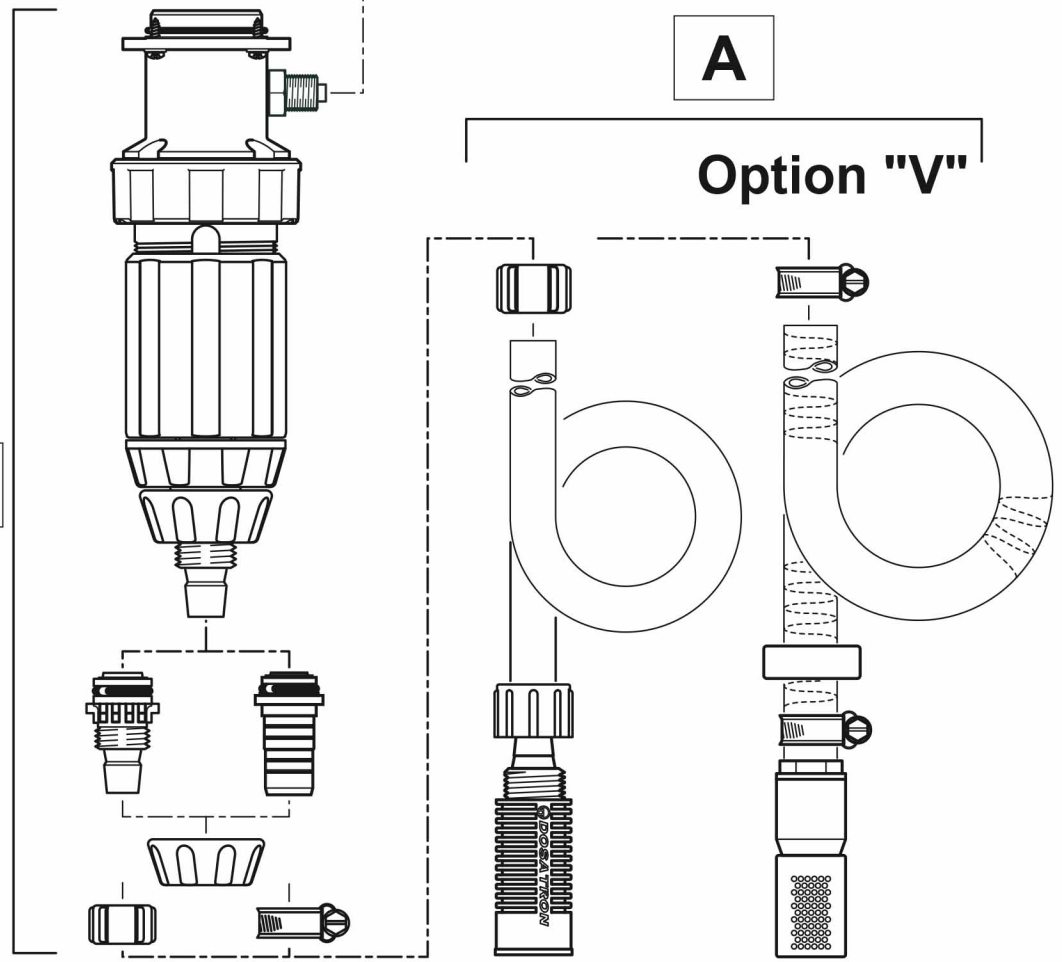
C+M



A

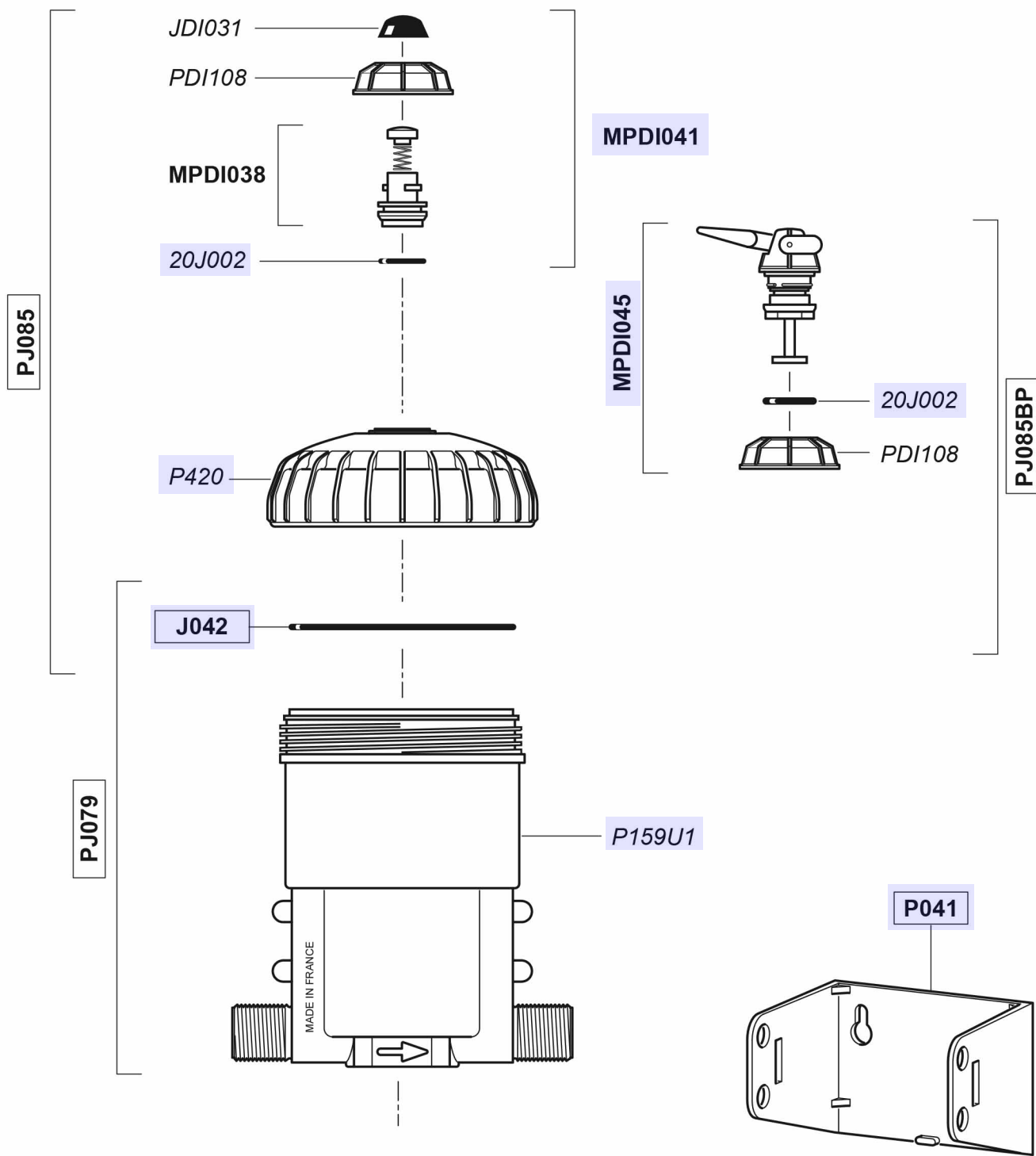
Option "V"

D+IE



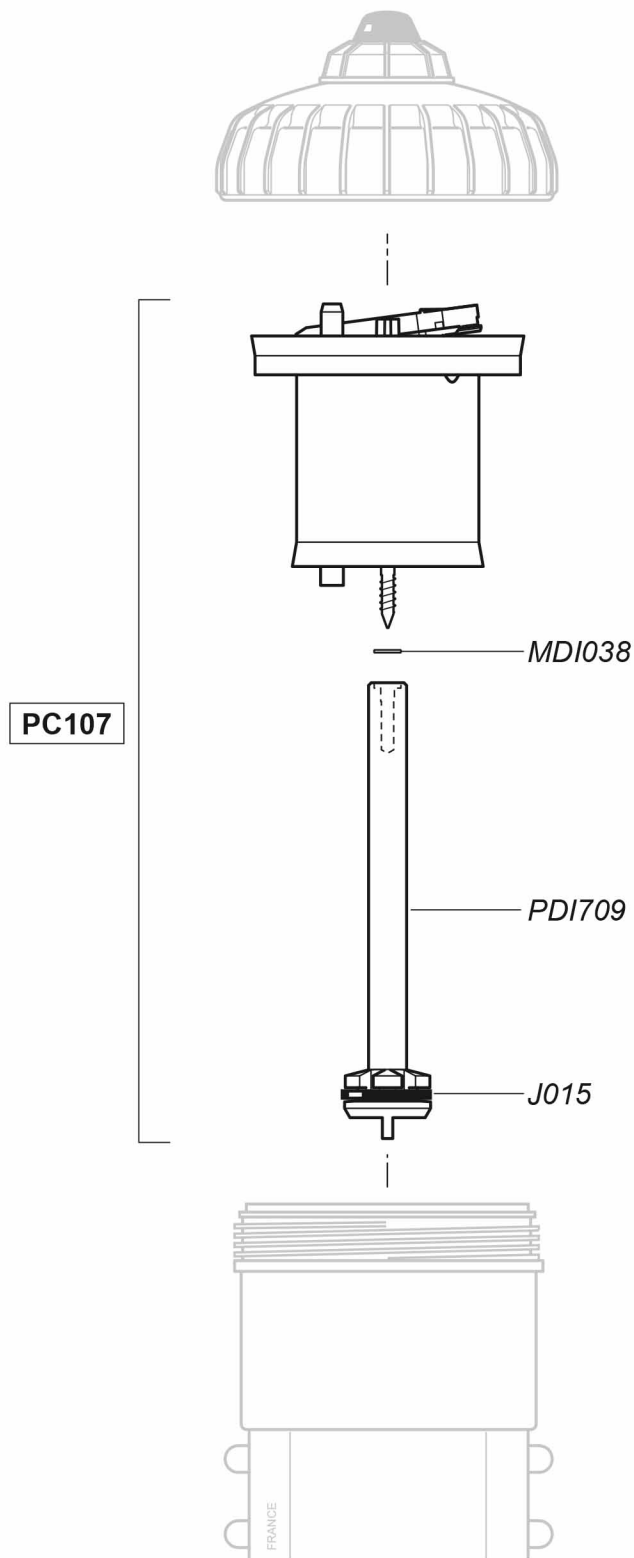
D25RE10-IE

2 m³/h - 3 - 10%
 9 GPM - 1:33 - 1:10
 0.3 - 6 bar
 4.3 - 85 psi



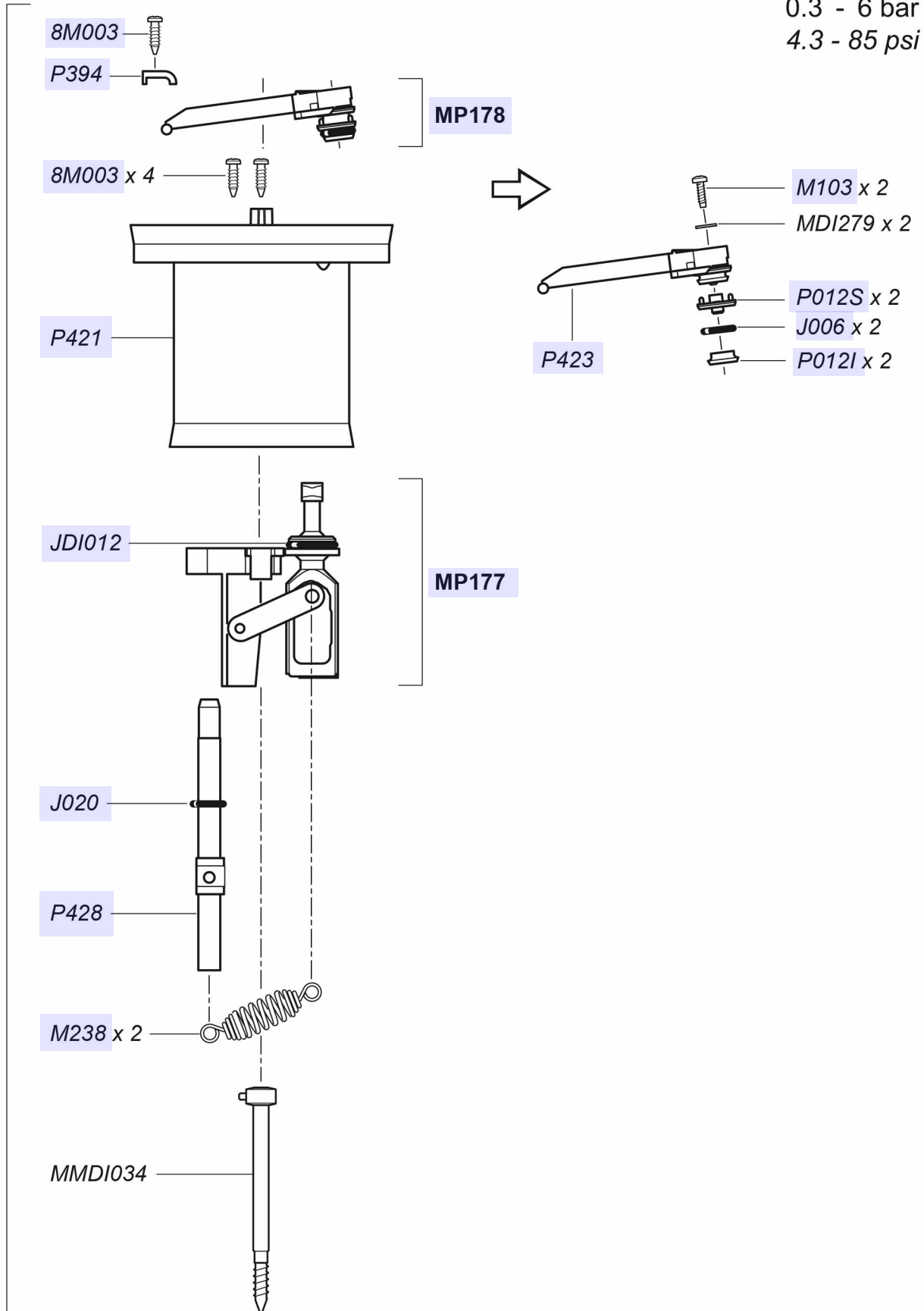
D25RE10-IE

2 m³/h - 3 - 10%
9 GPM - 1:33 - 1:10
0.3 - 6 bar
4.3 - 85 psi



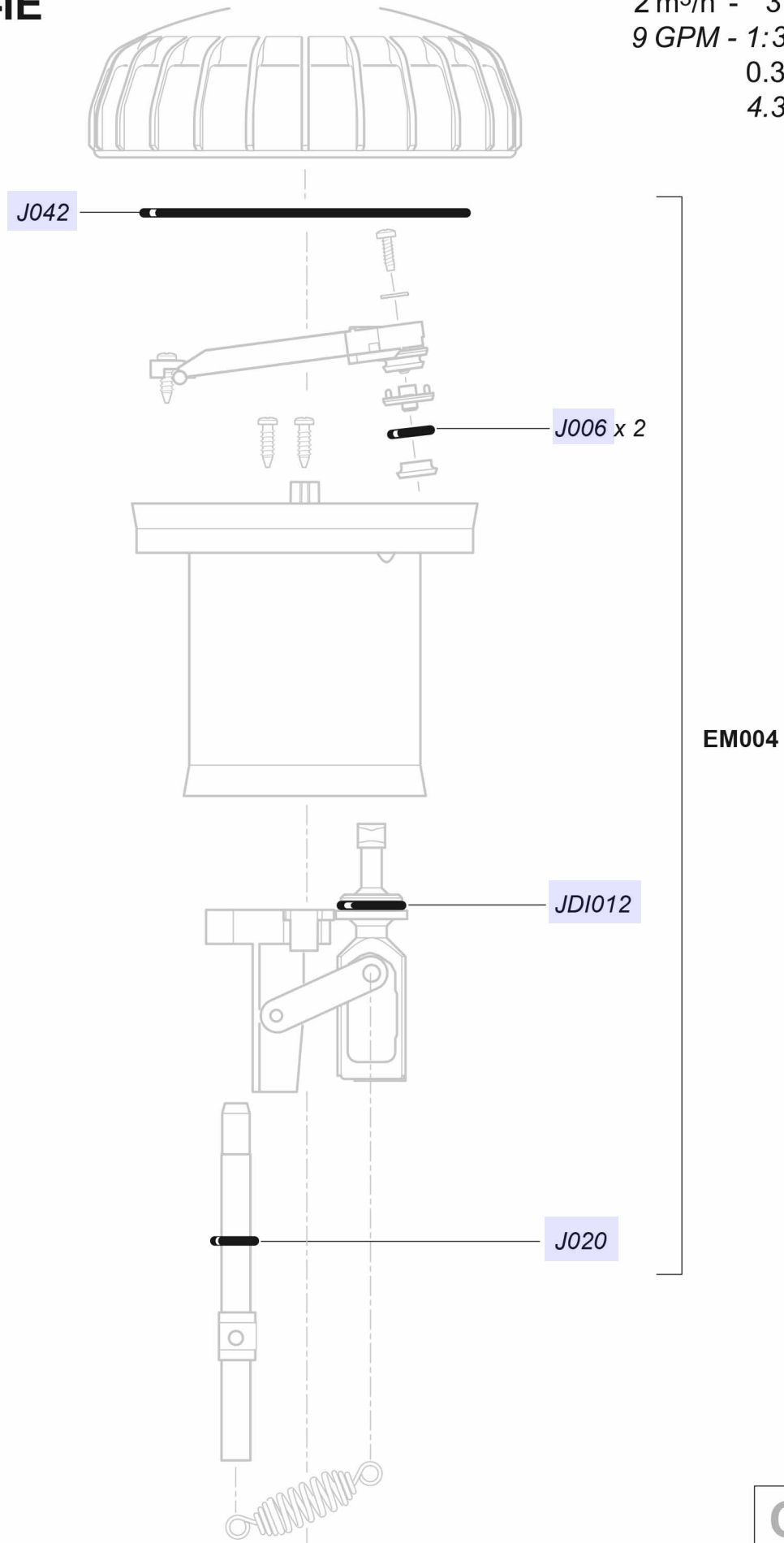
D25RE10-IE

2 m³/h - 3 - 10%
 9 GPM - 1:33 - 1:10
 0.3 - 6 bar
 4.3 - 85 psi



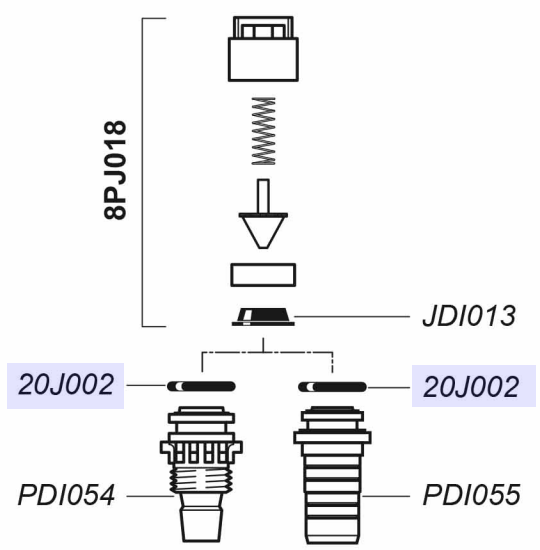
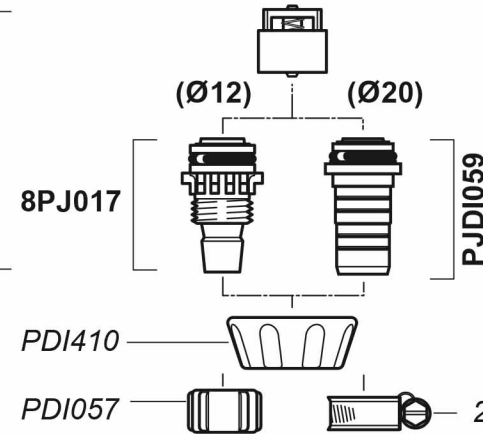
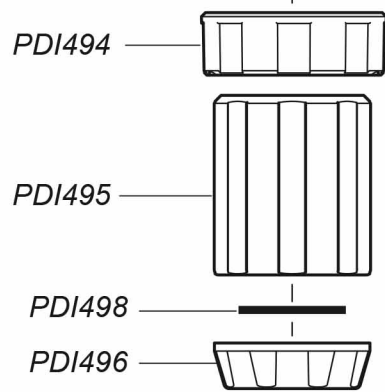
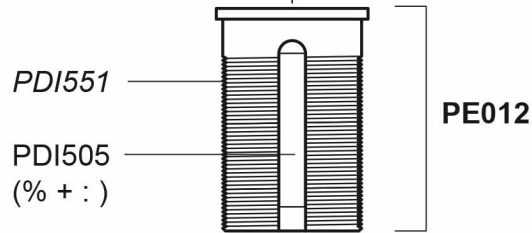
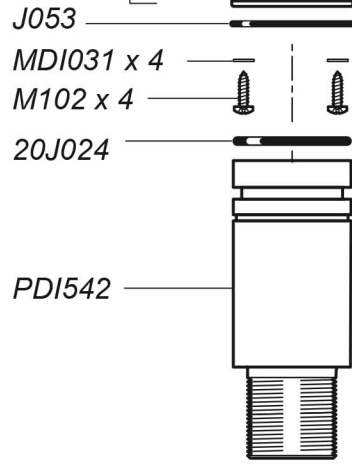
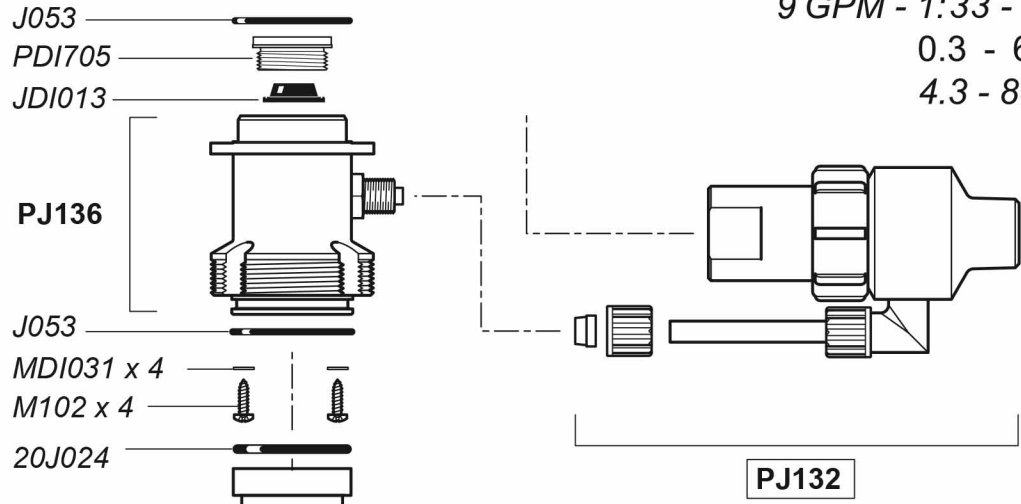
D25RE10-IE

2 m³/h - 3 - 10%
9 GPM - 1:33 - 1:10
0.3 - 6 bar
4.3 - 85 psi



D25RE10-IE

2 m³/h - 3 - 10%
 9 GPM - 1:33 - 1:10
 0.3 - 6 bar
 4.3 - 85 psi



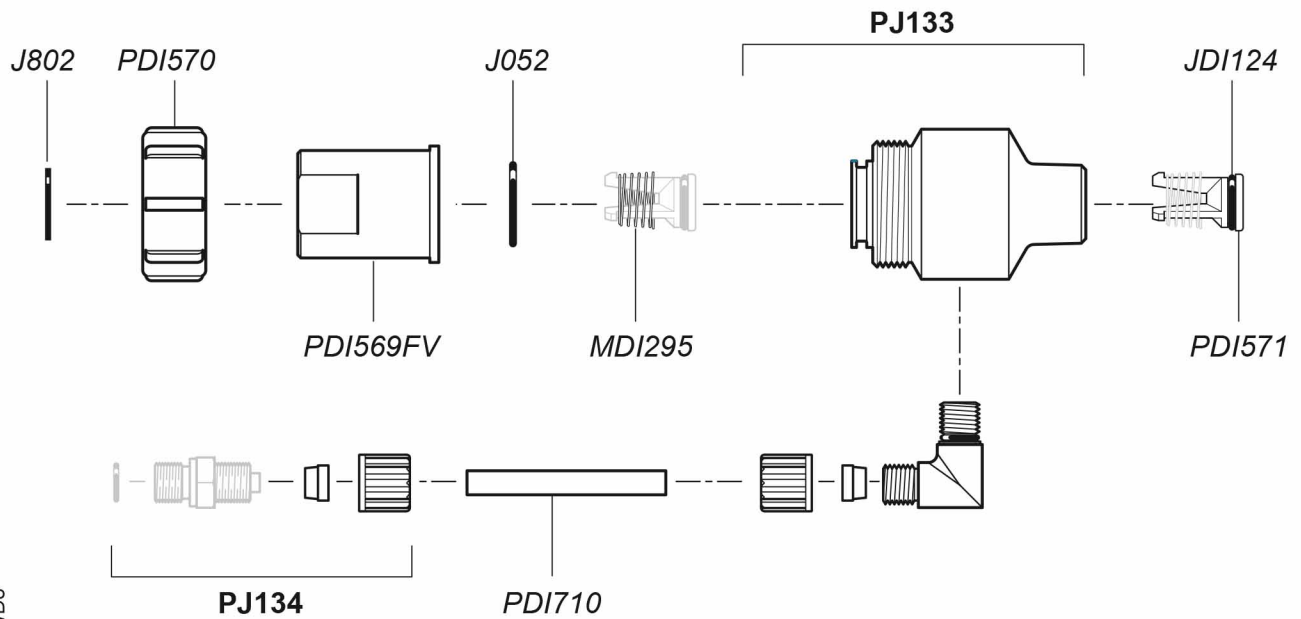
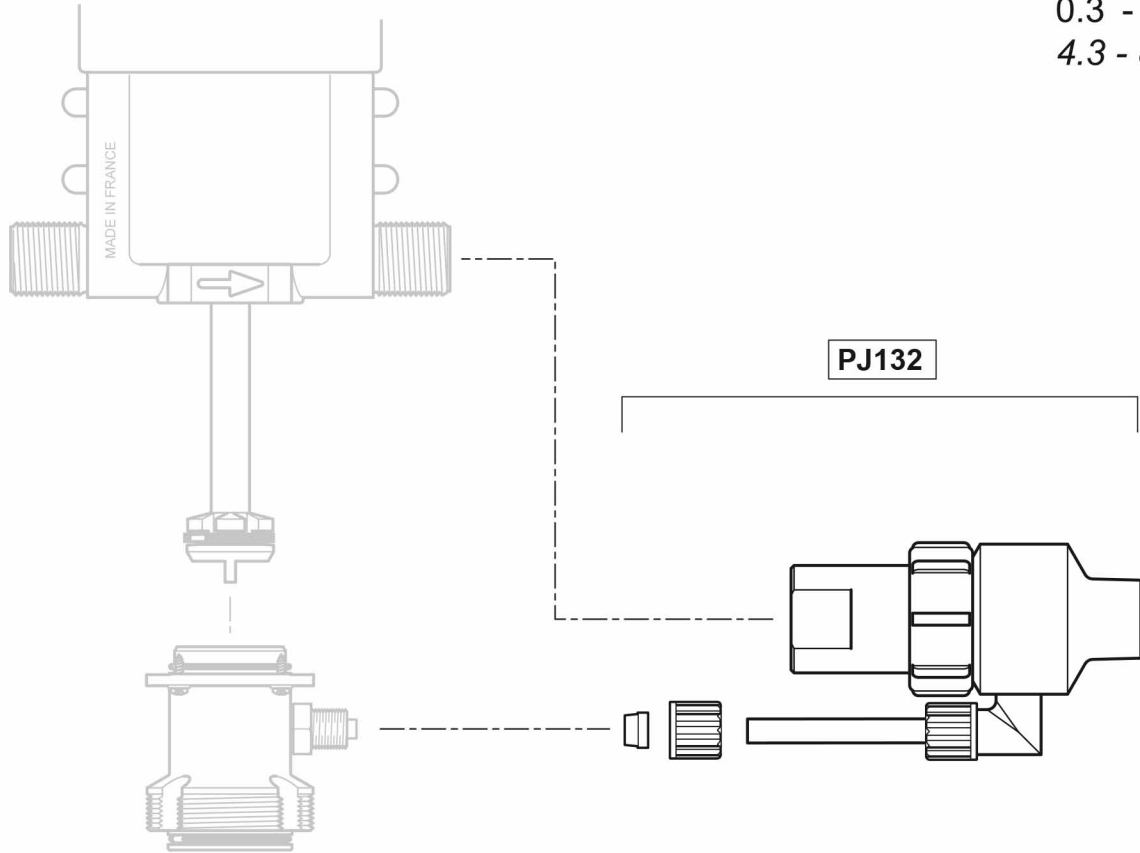
CD102 (Ø12)
 CD102V (Ø20)

© DOSATRON INTERNATIONAL S.A. 2007
 D25RE10-IE/0107/D7



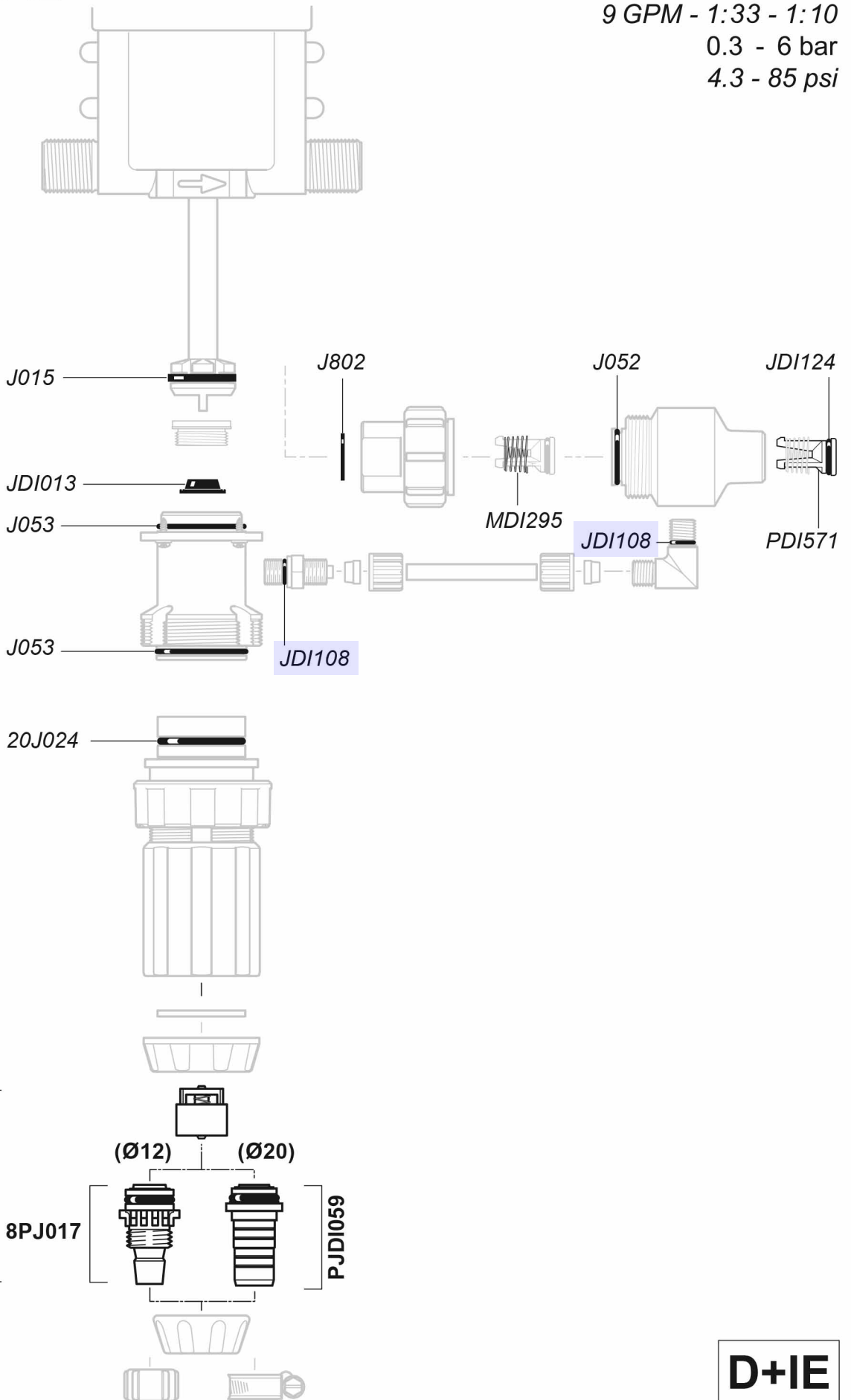
D25RE10-IE

2 m³/h - 3 - 10%
9 GPM - 1:33 - 1:10
0.3 - 6 bar
4.3 - 85 psi



D25RE10-IE

2 m³/h - 3 - 10%
 9 GPM - 1:33 - 1:10
 0.3 - 6 bar
 4.3 - 85 psi



PJ140 (Ø12)
 PJ140V (Ø20)

© DOSATRON INTERNATIONAL S.A. 2007
 D25RE10-IE/0107/D9

PJDI006 (Ø12)
 PJDI007 (Ø20)

8PJ017

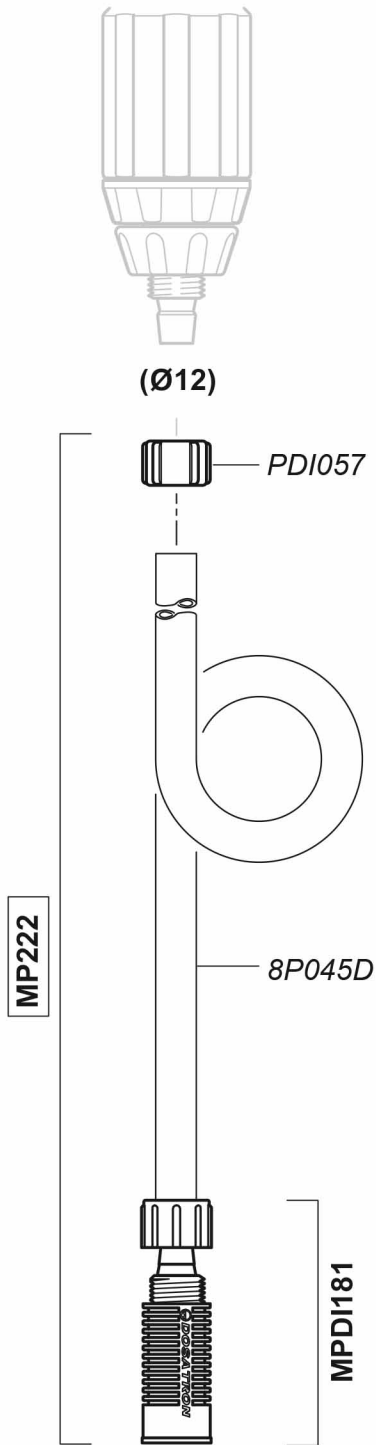
(Ø12) (Ø20)

PJDI059

D+IE

D25RE10-IE

2 m³/h - 3 - 10%
9 GPM - 1:33 - 1:10
0.3 - 6 bar
4.3 - 85 psi



Option "V"

