



# DOSATRON®

An Ingersoll Rand Business



## D14MZ3000VFBPHY - 14 GPM INTERACTIVE SCHEMATICS

### UNIT SPECIFICATIONS

- 1:3000 - 1:333
- 4.3 - 85 PSI
- 3/4" NPT Connection

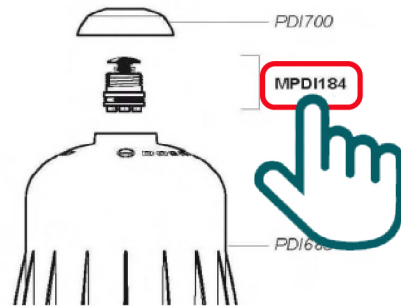
### SUGGESTED INSTALLATION

- 200 mesh/80 micron water filter prior to the unit

### SUGGESTED MAINTENANCE

- Mini-Maintenance Kit  
Part #: [PJDI139MINI](#)  
For regular maintenance
- Injection Seal Kit  
Part #: [PJDI139](#)  
For yearly maintenance
- Rebuild Kit  
Part #: [MKD14MZ3000](#)  
Extends the life of your unit
- Piston Flange Kit  
Part #: [PPDI034](#)

### DOCUMENT INSTRUCTIONS

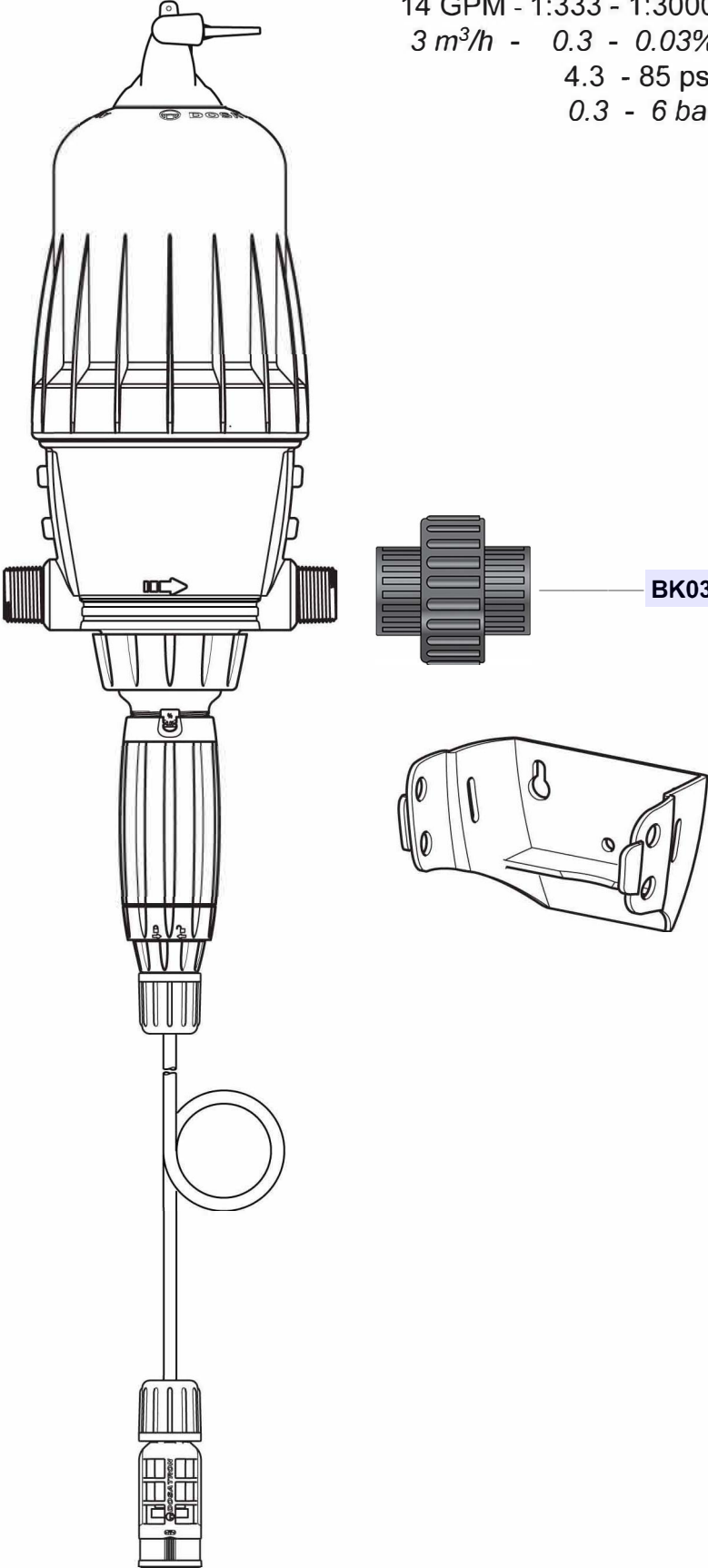


- Click on a part #, to visit item page
- Click arrow back from item page, to return to this document



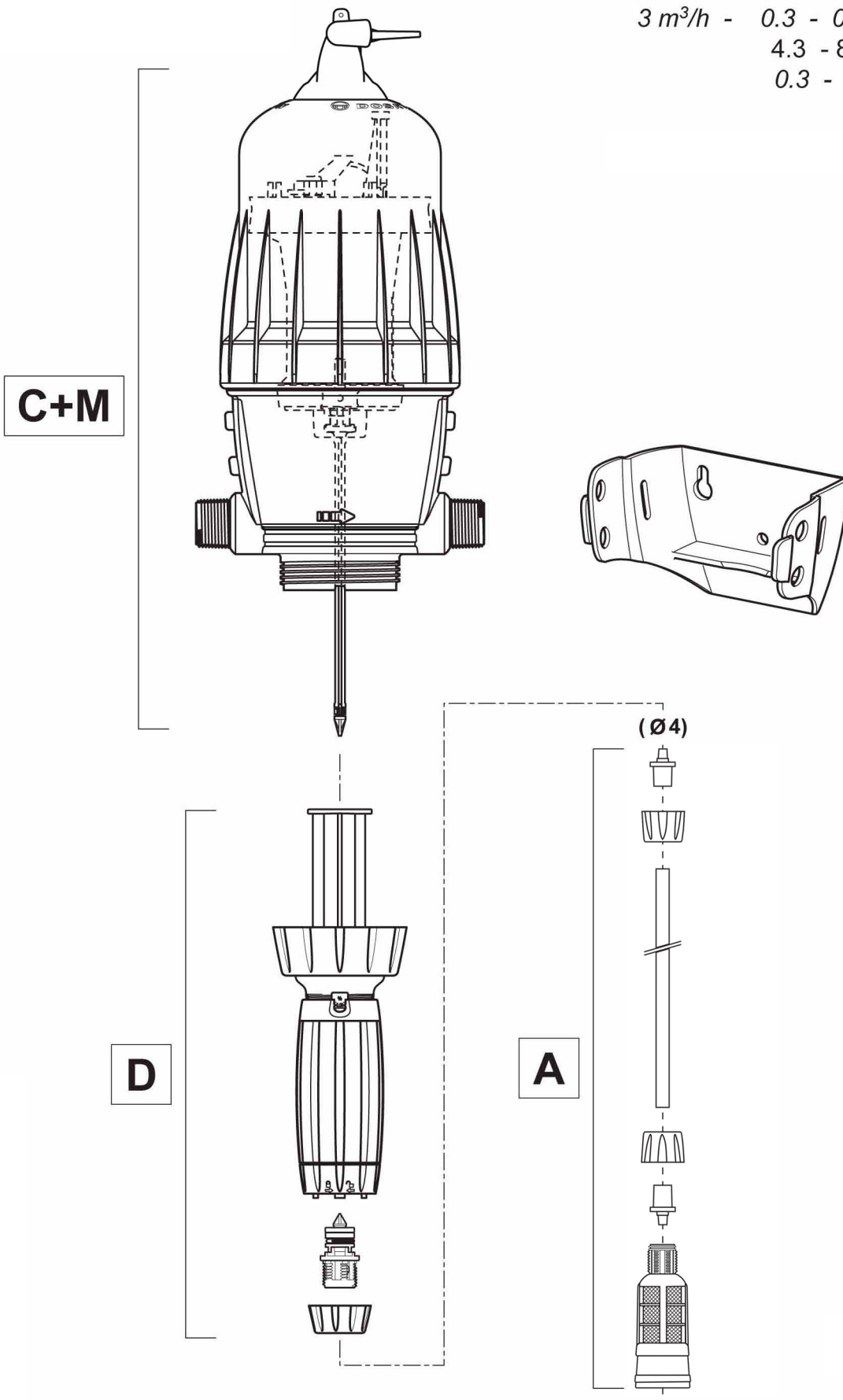
# D14MZ3000VFBPHY

14 GPM - 1:333 - 1:3000  
3 m<sup>3</sup>/h - 0.3 - 0.03%  
4.3 - 85 psi  
0.3 - 6 bar



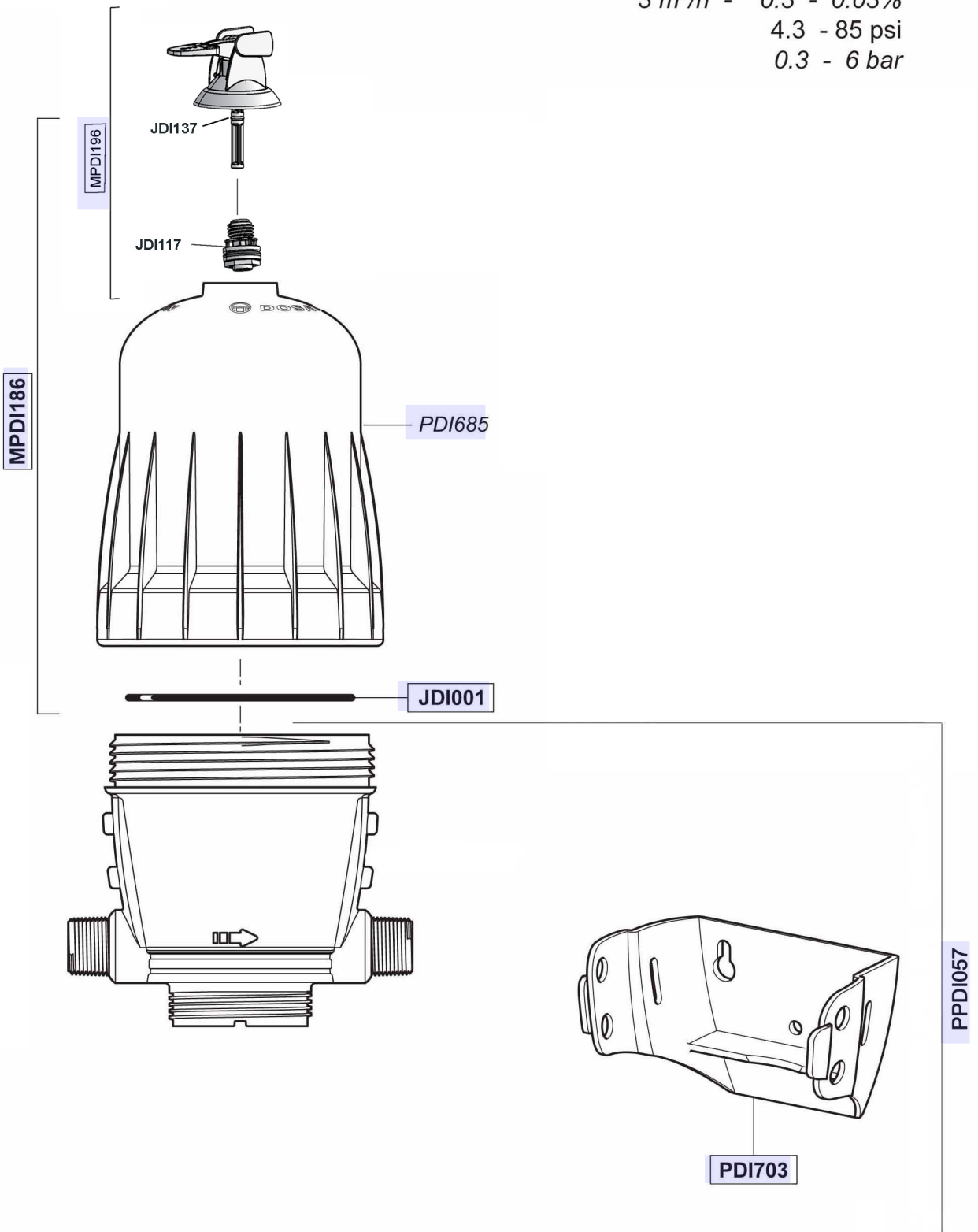
# D14MZ3000VFBPHY

14 GPM - 1:333 - 1:3000  
3 m<sup>3</sup>/h - 0.3 - 0.03%  
4.3 - 85 psi  
0.3 - 6 bar



# D14MZ3000VFBPHY

14 GPM - 1:333 - 1:3000  
3 m<sup>3</sup>/h - 0.3 - 0.03%  
4.3 - 85 psi  
0.3 - 6 bar

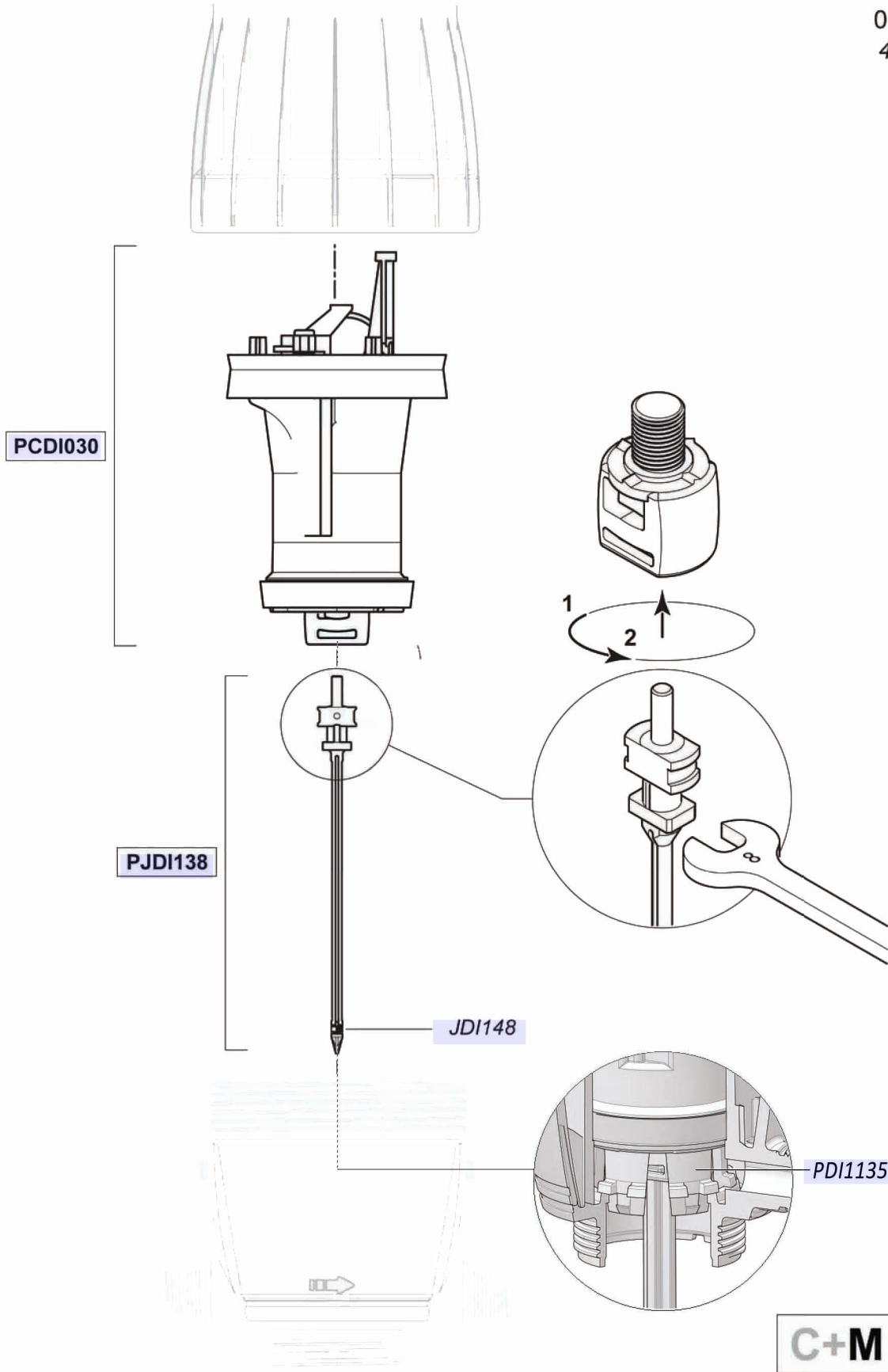


© DOSATRON INTERNATIONAL S.A.S. 2010  
D14MZ3000/04-10/D3



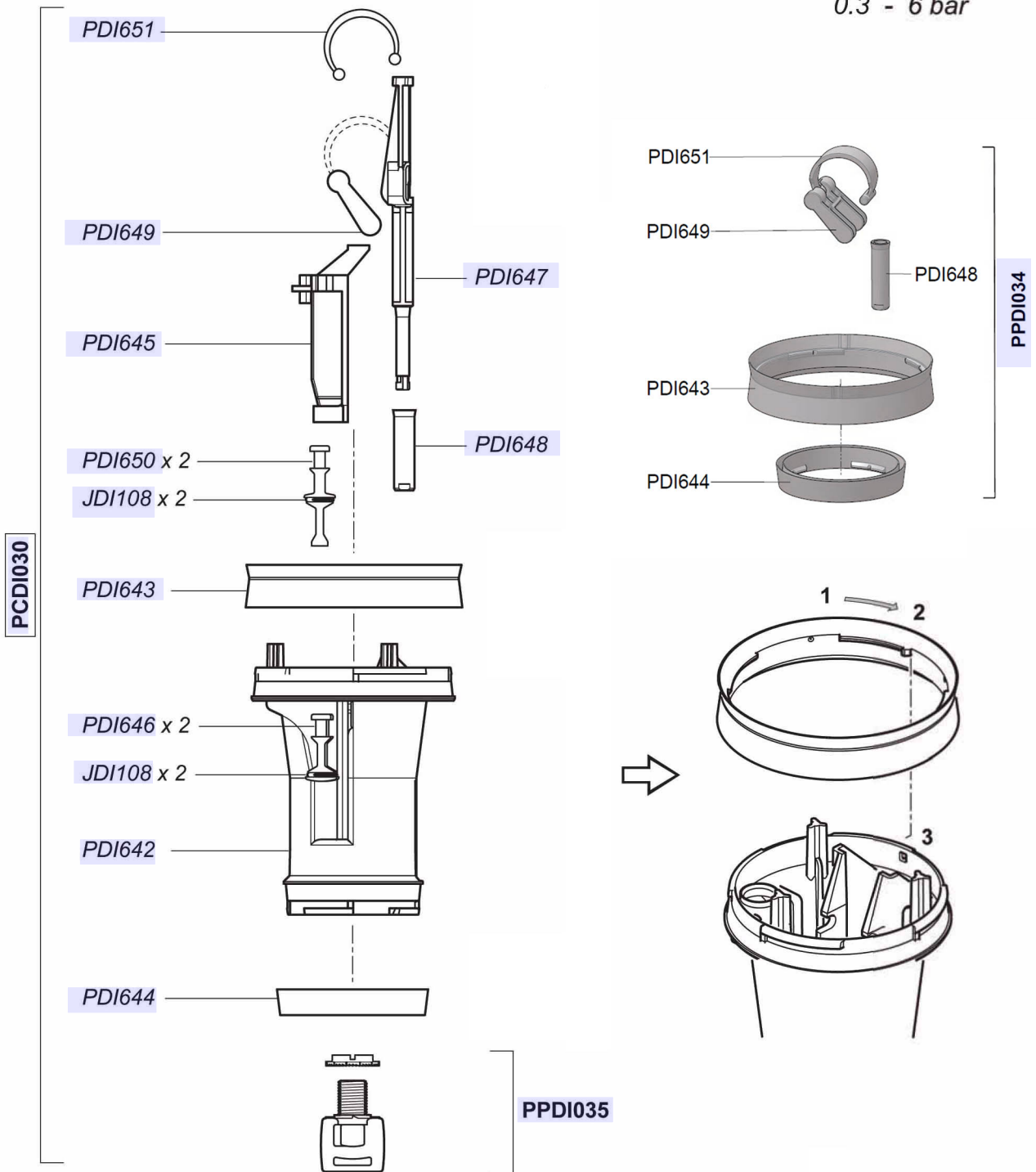
# D14MZ3000VFBPHY

3 m<sup>3</sup>/h - 0.3 - 0.03%  
14 GPM - 1:333 - 1:3000  
0.3 - 6 bar  
4.3 - 85 psi



# D14MZ3000VFBPHY

14 GPM - 1:333 - 1:3000  
 3 m<sup>3</sup>/h - 0.3 - 0.03%  
 4.3 - 85 psi  
 0.3 - 6 bar

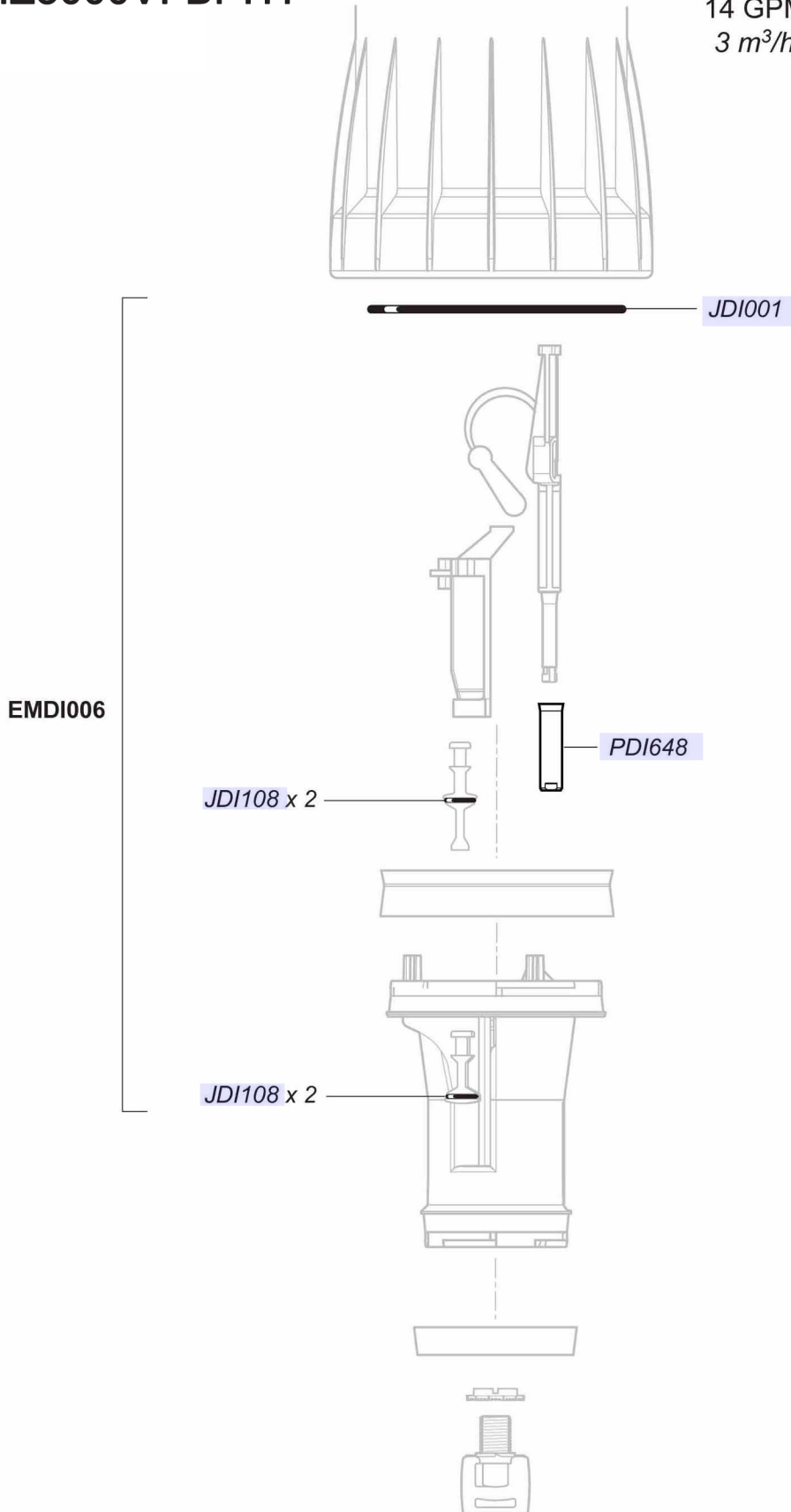


© DOSATRON INTERNATIONAL S.A.S. 2010  
 D14MZ3000/0410/D5



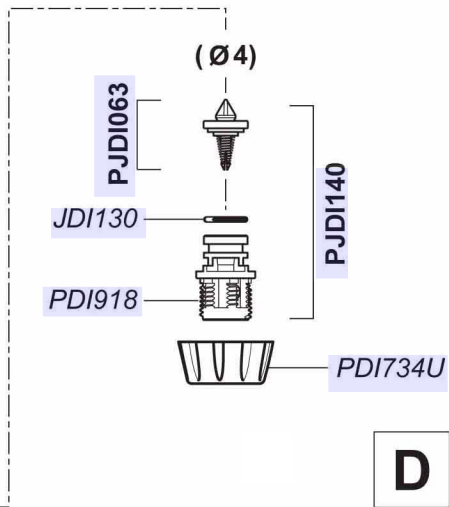
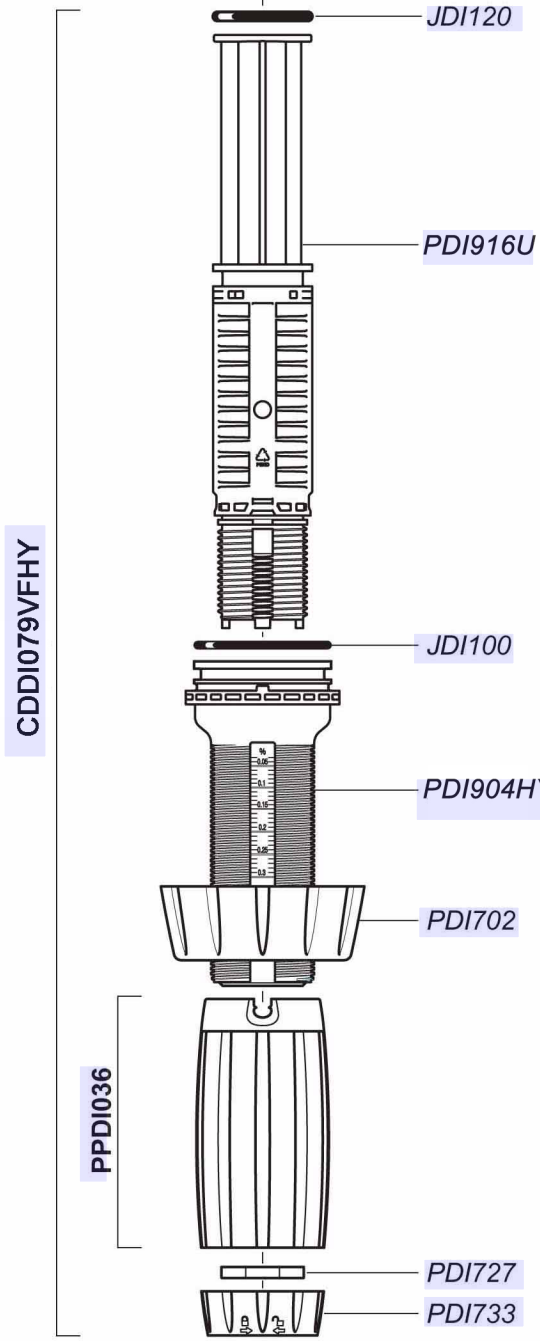
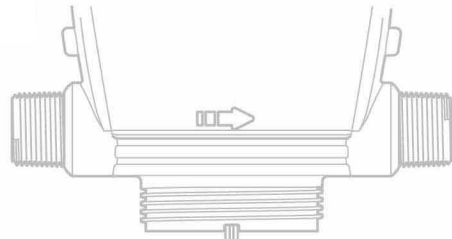
# D14MZ3000VFBPHY

14 GPM - 1:333 - 1:3000  
3 m<sup>3</sup>/h - 0.3 - 0.03%  
4.3 - 85 psi  
0.3 - 6 bar



# D14MZ3000VFBPHY

14 GPM - 1:333 - 1:3000  
 3 m<sup>3</sup>/h - 0.3 - 0.03%  
 4.3 - 85 psi  
 0.3 - 6 bar

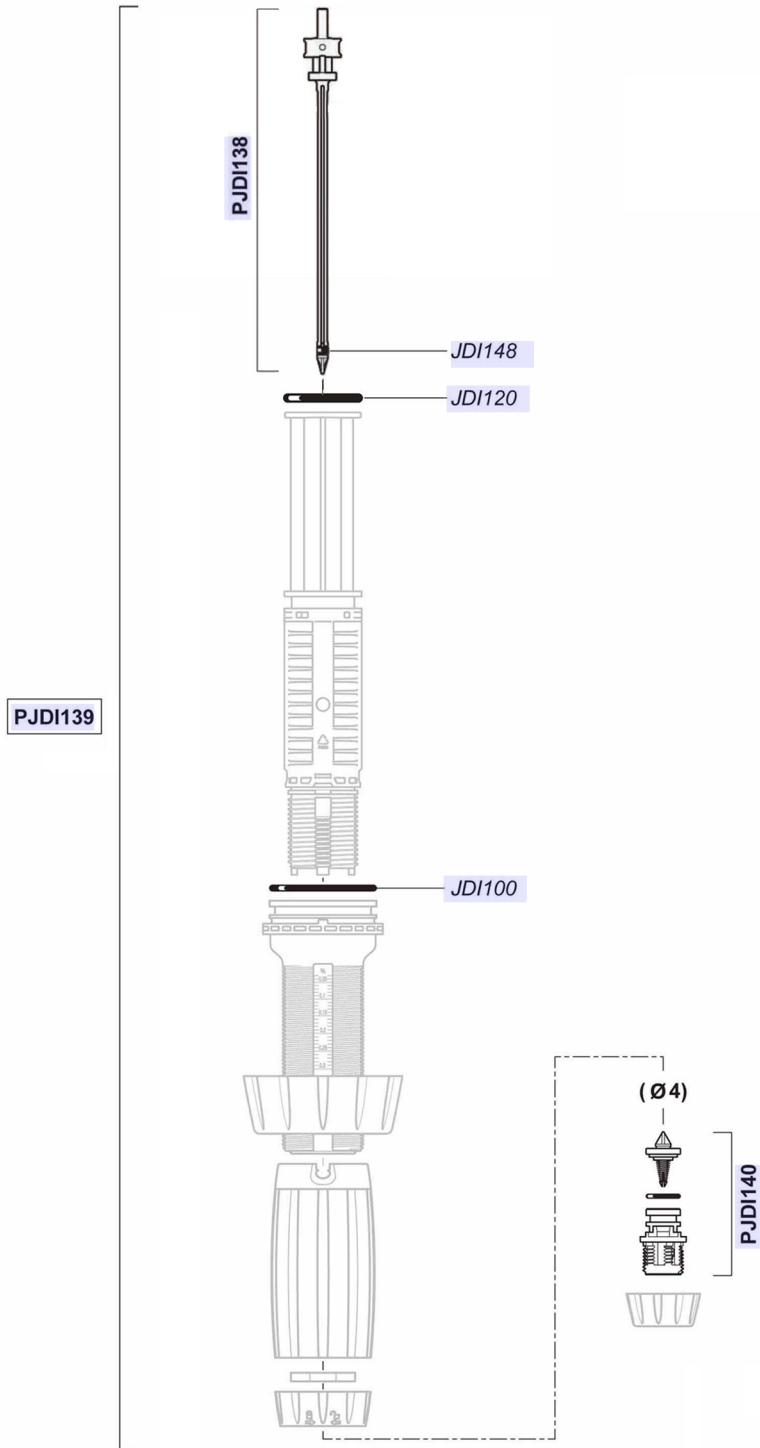
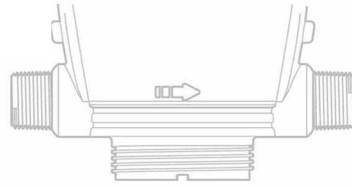


**D**



# D14MZ3000VFBPHY

14 GPM - 1:333 - 1:3000  
3 m<sup>3</sup>/h - 0.3 - 0.03%  
4.3 - 85 psi  
0.3 - 6 bar

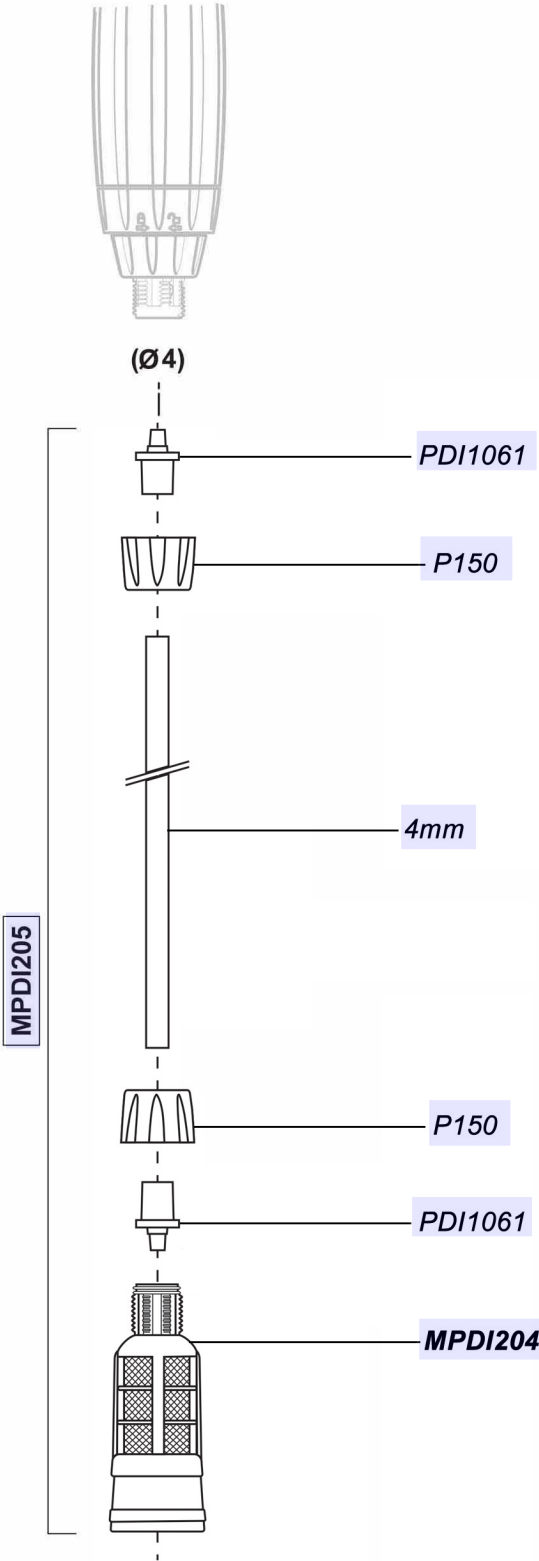


© DOSATRON INTERNATIONAL S.A.S. 2010  
D14MZ3000/0410/D8

**D**

# D14MZ3000VFBPHY

14 GPM - 1:333 - 1:3000  
3 m<sup>3</sup>/h - 0.3 - 0.03%  
4.3 - 85 psi  
0.3 - 6 bar



© DOSATRON INTERNATIONAL S.A.S. 2010  
D14MZ3000/0410/D9

**A**