



DOSATRON®

An Ingersoll Rand Business



D45RE3-IE - 20 GPM INTERACTIVE SCHEMATICS

UNIT SPECIFICATIONS

- 1:200 - 1:33
- 7 - 70 PSI
- 1" NPT Connection

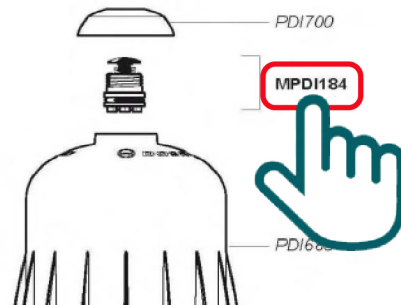
SUGGESTED INSTALLATION

- 200 mesh/80 micron water filter prior to the unit

SUGGESTED MAINTENANCE

- Injection Seal Kit
Part #: **PJ095**
For yearly maintenance

DOCUMENT INSTRUCTIONS

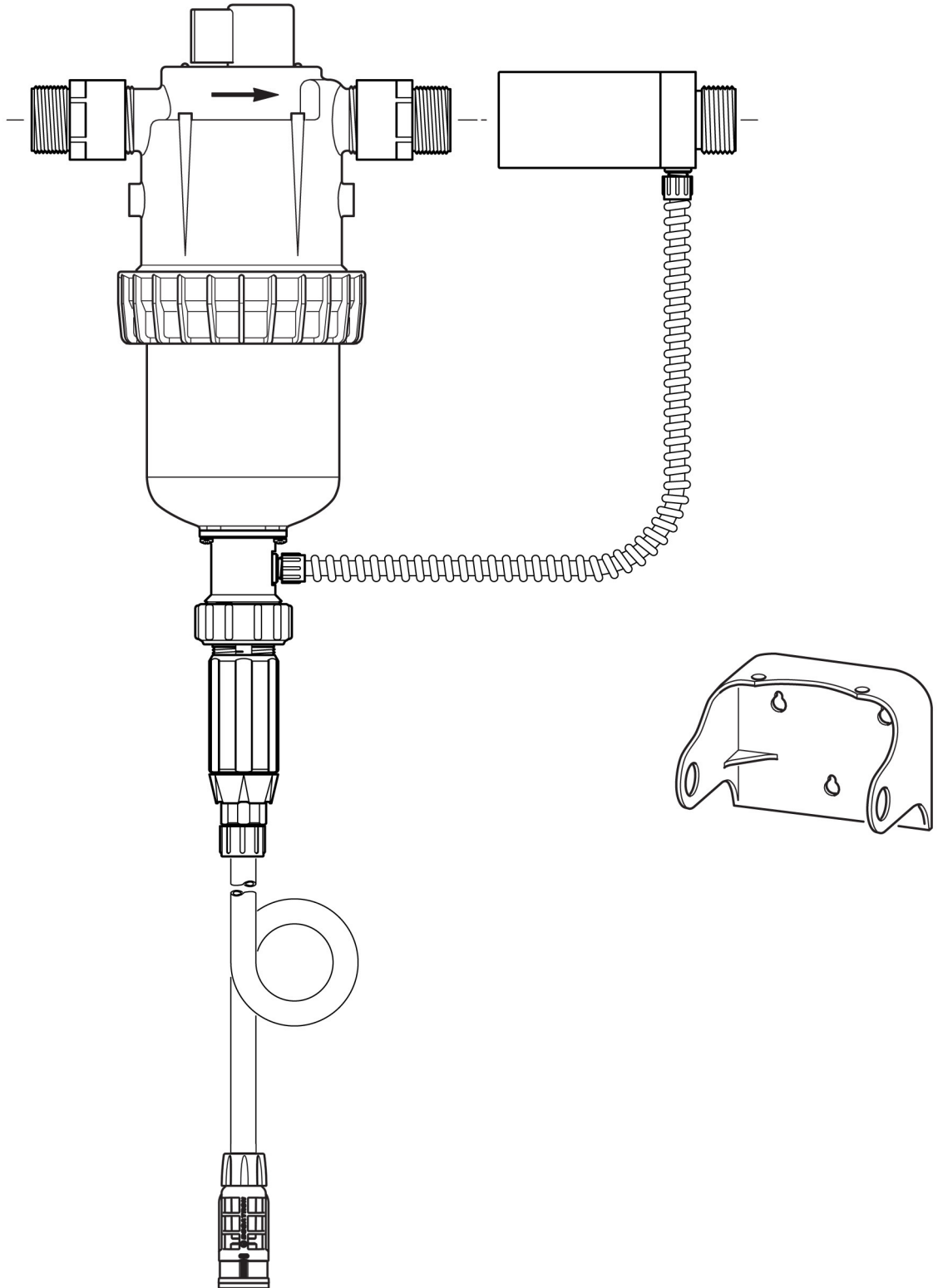


- Click on a part #, to visit item page
- Click arrow back from item page, to return to this document



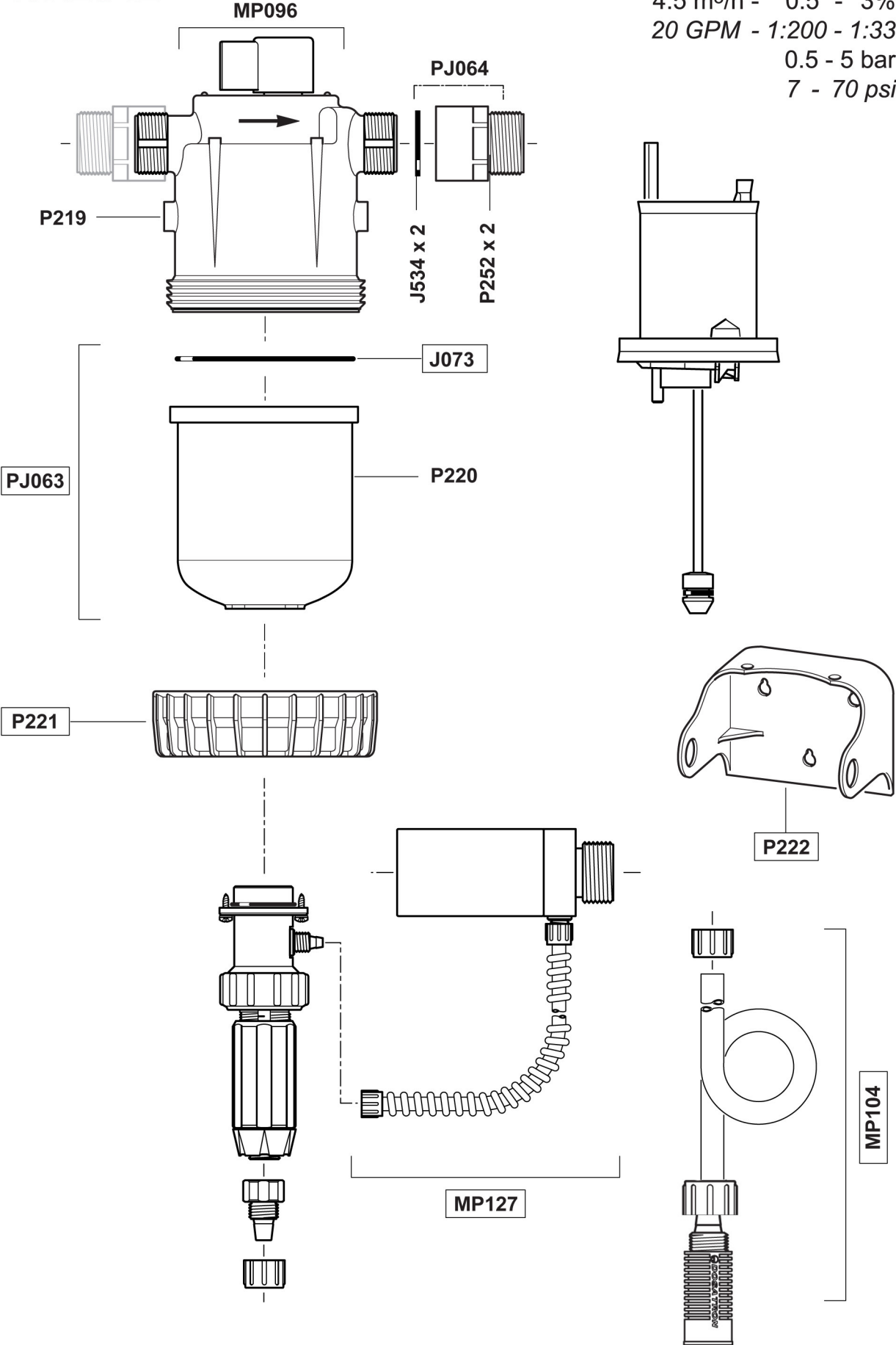
D45RE3-IE

4.5 m³/h - 0.5 - 3%
20 GPM - 1:200 - 1:33
0.5 - 5 bar
7 - 70 psi



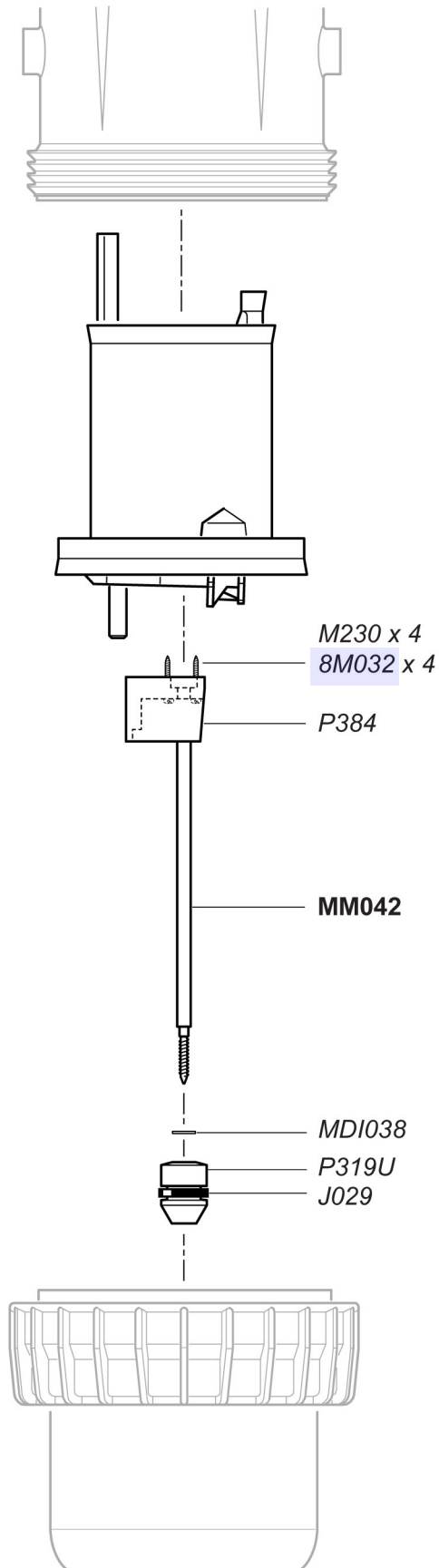
D45RE3-IE

4.5 m³/h - 0.5 - 3%
 20 GPM - 1:200 - 1:33
 0.5 - 5 bar
 7 - 70 psi



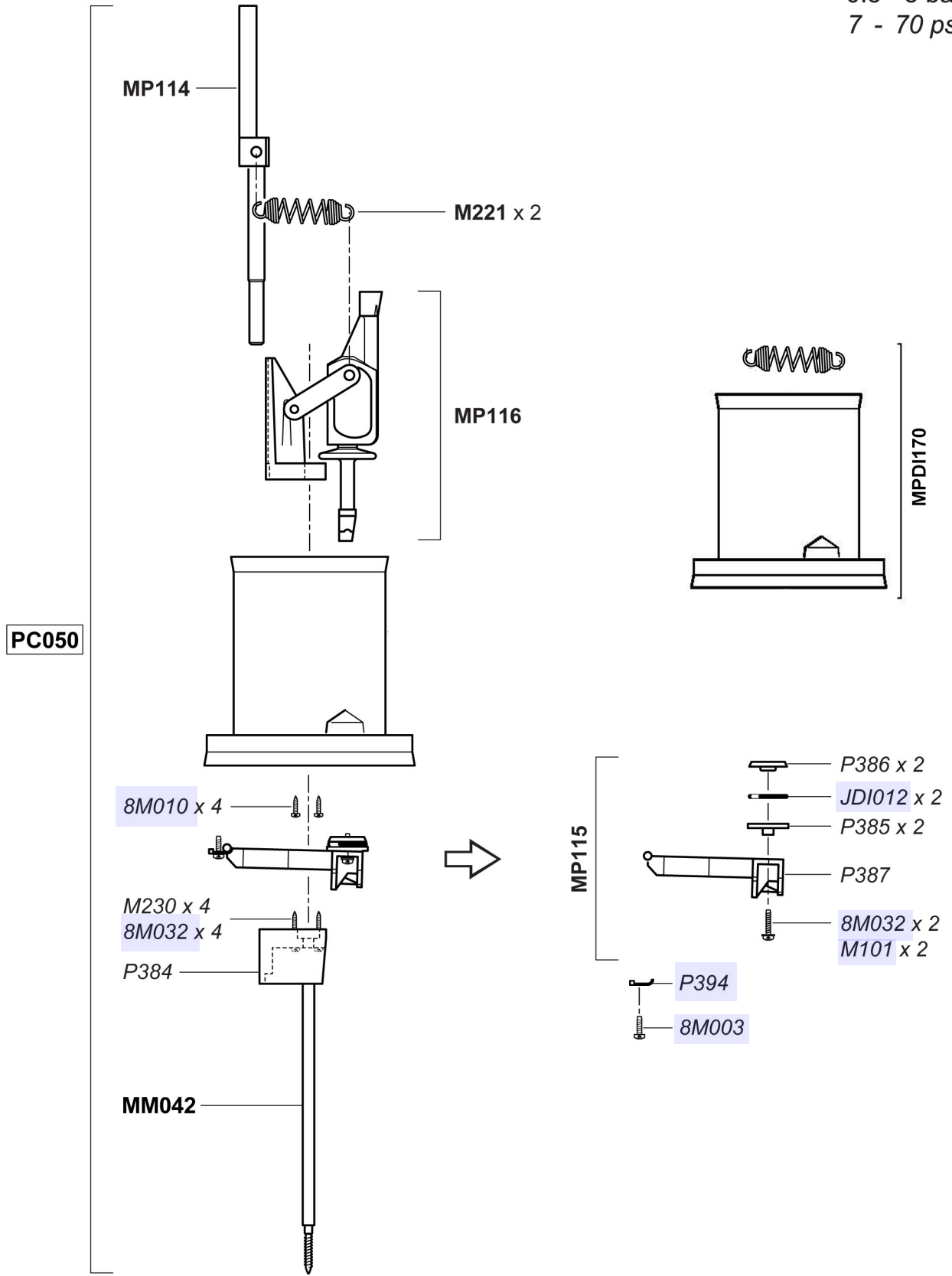
D45RE3-IE

4.5 m³/h - 0.5 - 3%
20 GPM - 1:200 - 1:33
0.5 - 5 bar
7 - 70 psi



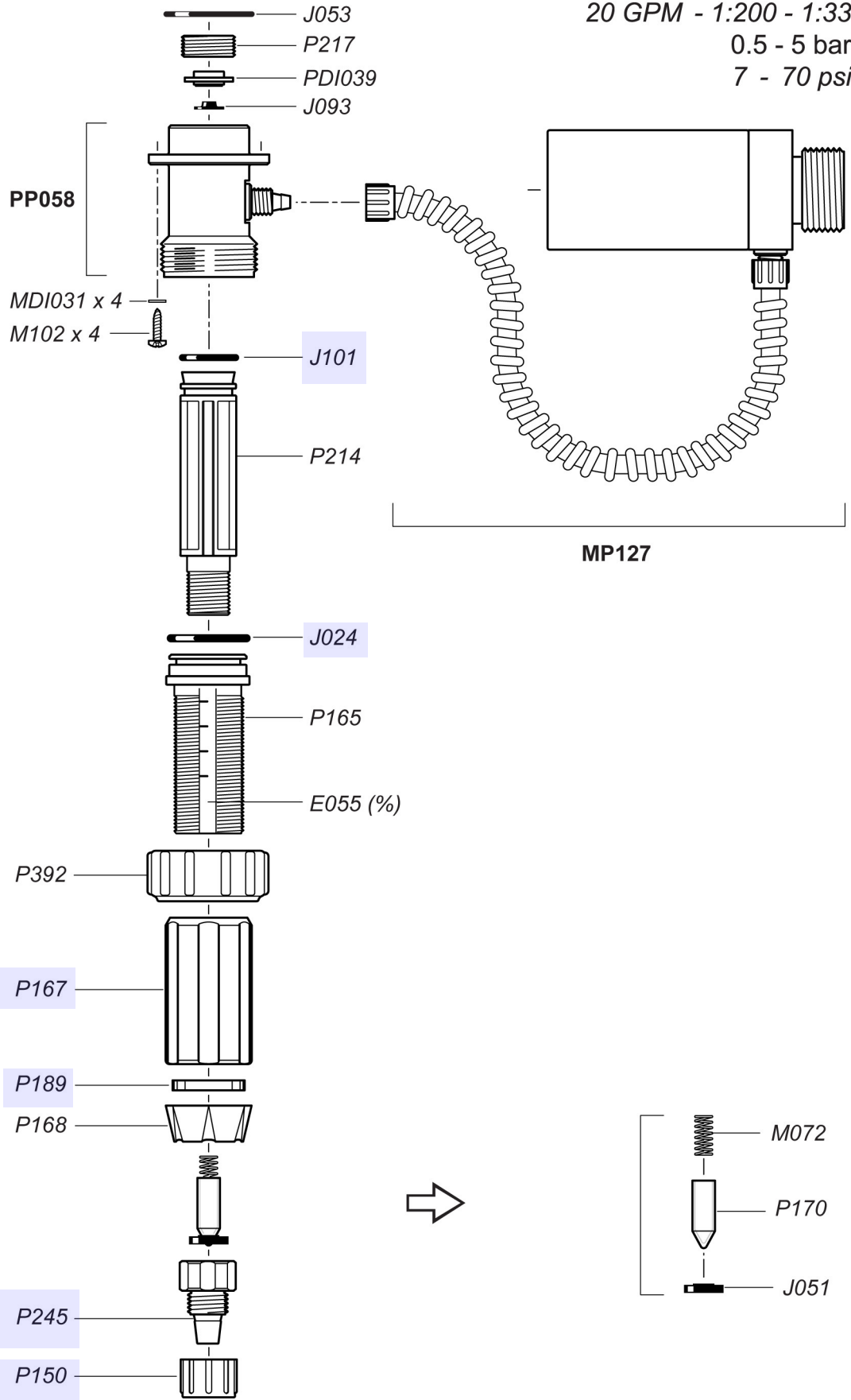
D45RE3-IE

4.5 m³/h - 0.5 - 3%
20 GPM - 1:200 - 1:33
0.5 - 5 bar
7 - 70 psi



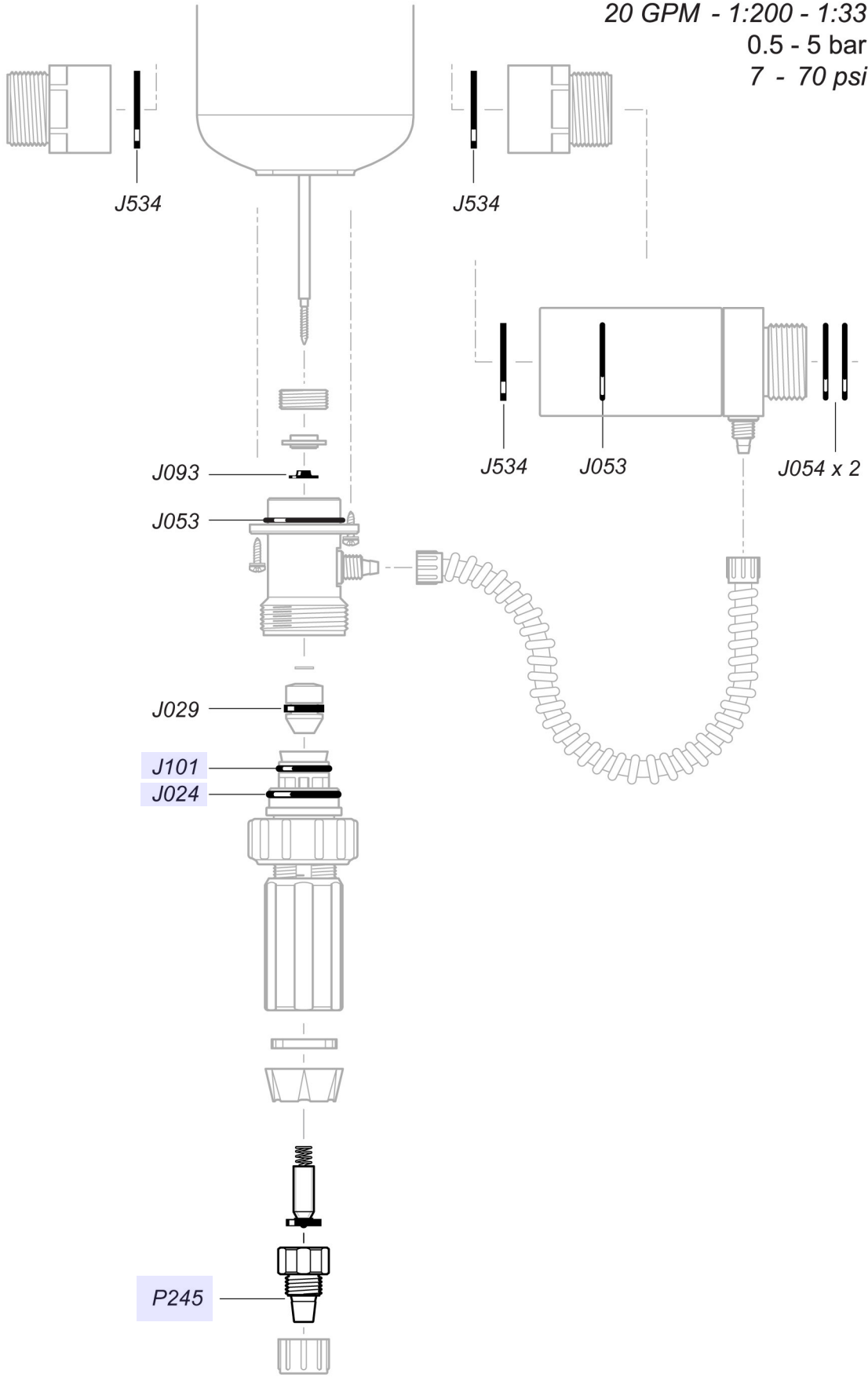
D45RE3-IE

4.5 m³/h - 0.5 - 3%
 20 GPM - 1:200 - 1:33
 0.5 - 5 bar
 7 - 70 psi



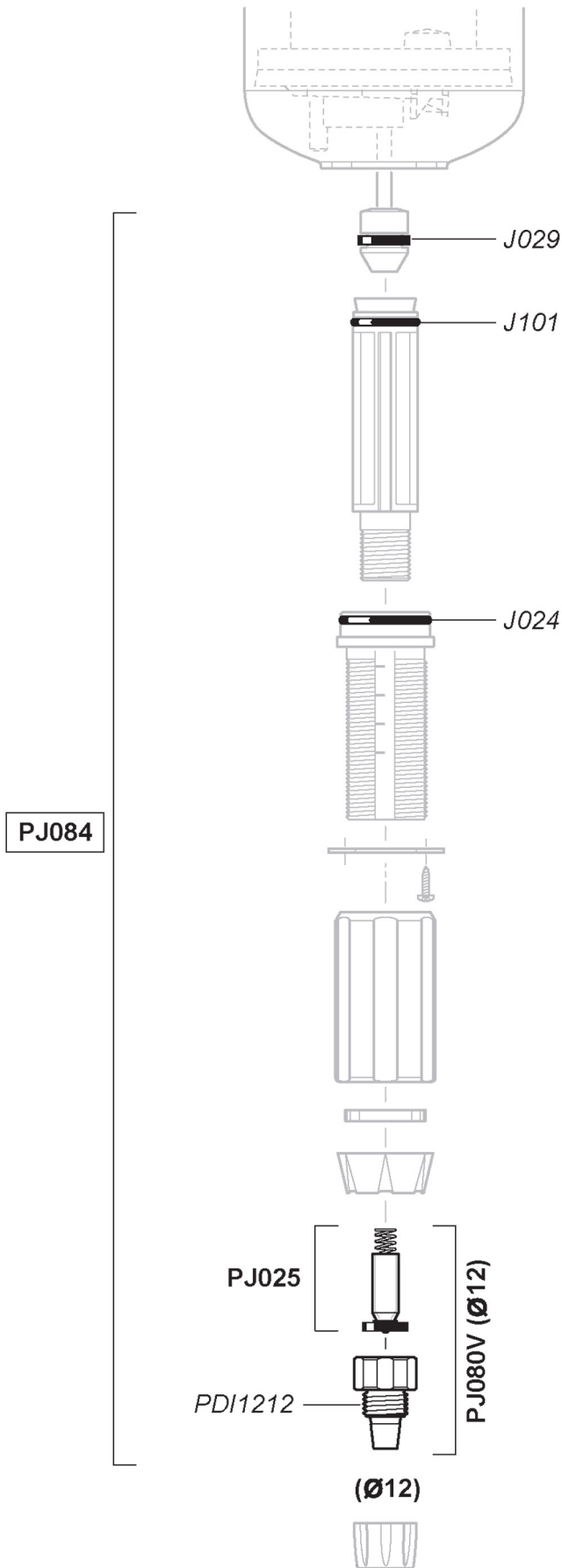
D45RE3-IE

4.5 m³/h - 0.5 - 3%
20 GPM - 1:200 - 1:33
0.5 - 5 bar
7 - 70 psi



D45RE3-IE

4.5 m³/h - 0.5 - 3%
20 GPM - 1:200 - 1:33
0.5 - 5 bar
7 - 70 psi



D45RE3-IE

4.5 m³/h - 0.5 - 3%
20 GPM - 1:200 - 1:33
0.5 - 5 bar
7 - 70 psi

