



DOSATRON®

An Ingersoll Rand Business



Certified to
NSF/ANSI/CAN 61&372



D40WL3000NAF - 40 GPM INTERACTIVE SCHEMATICS

UNIT SPECIFICATIONS

- 1:3000 - 1:800
- 2.2 - 116 PSI
- 1 1/2" NPT Connection

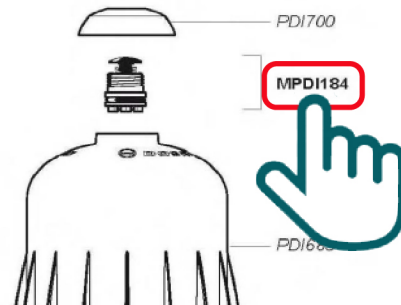
SUGGESTED INSTALLATION

- 200 mesh/80 micron water filter prior to the unit

SUGGESTED MAINTENANCE

- Injection Seal Kit
Part #: **8PJ075NAF**
For yearly maintenance

DOCUMENT INSTRUCTIONS

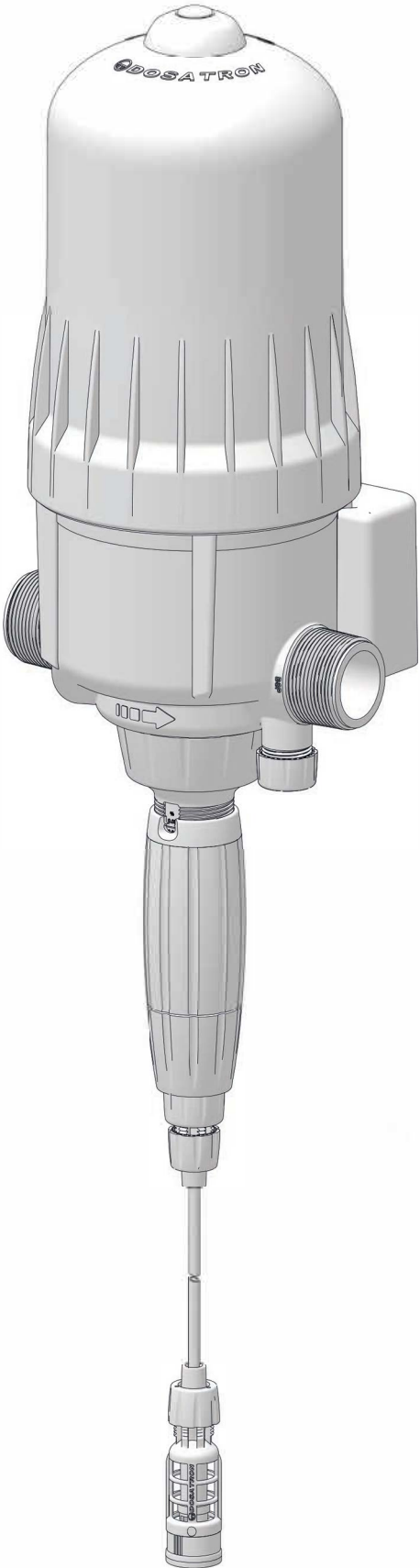


- Click on a part #, to visit item page
- Click arrow back from item page, to return to this document



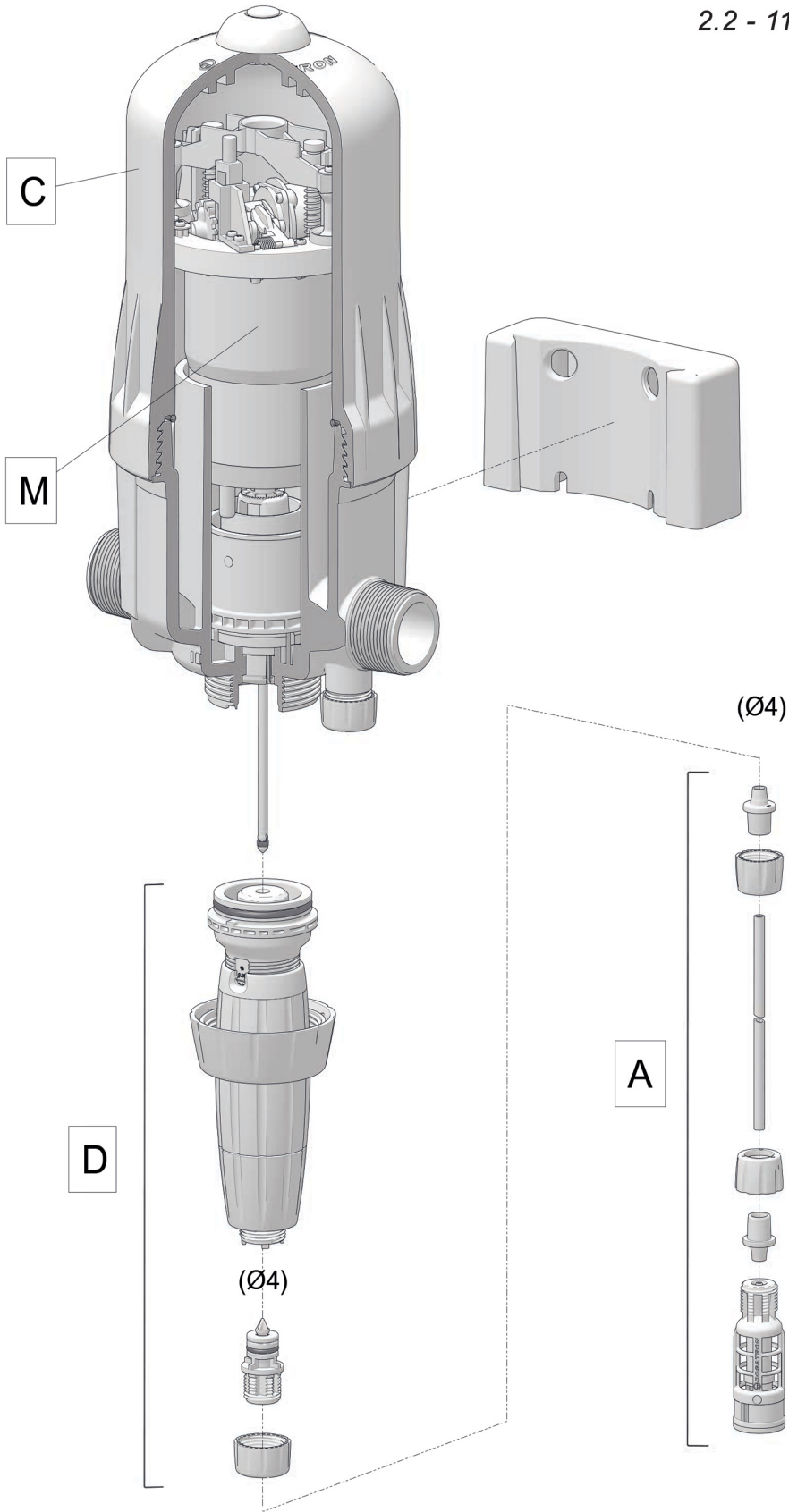
D40WL3000NAF

8 m³/h - 0.03 - 0.125%
40 GPM - 1:3000 - 1:800
0.15 - 8 bar
2.2 - 116 psi



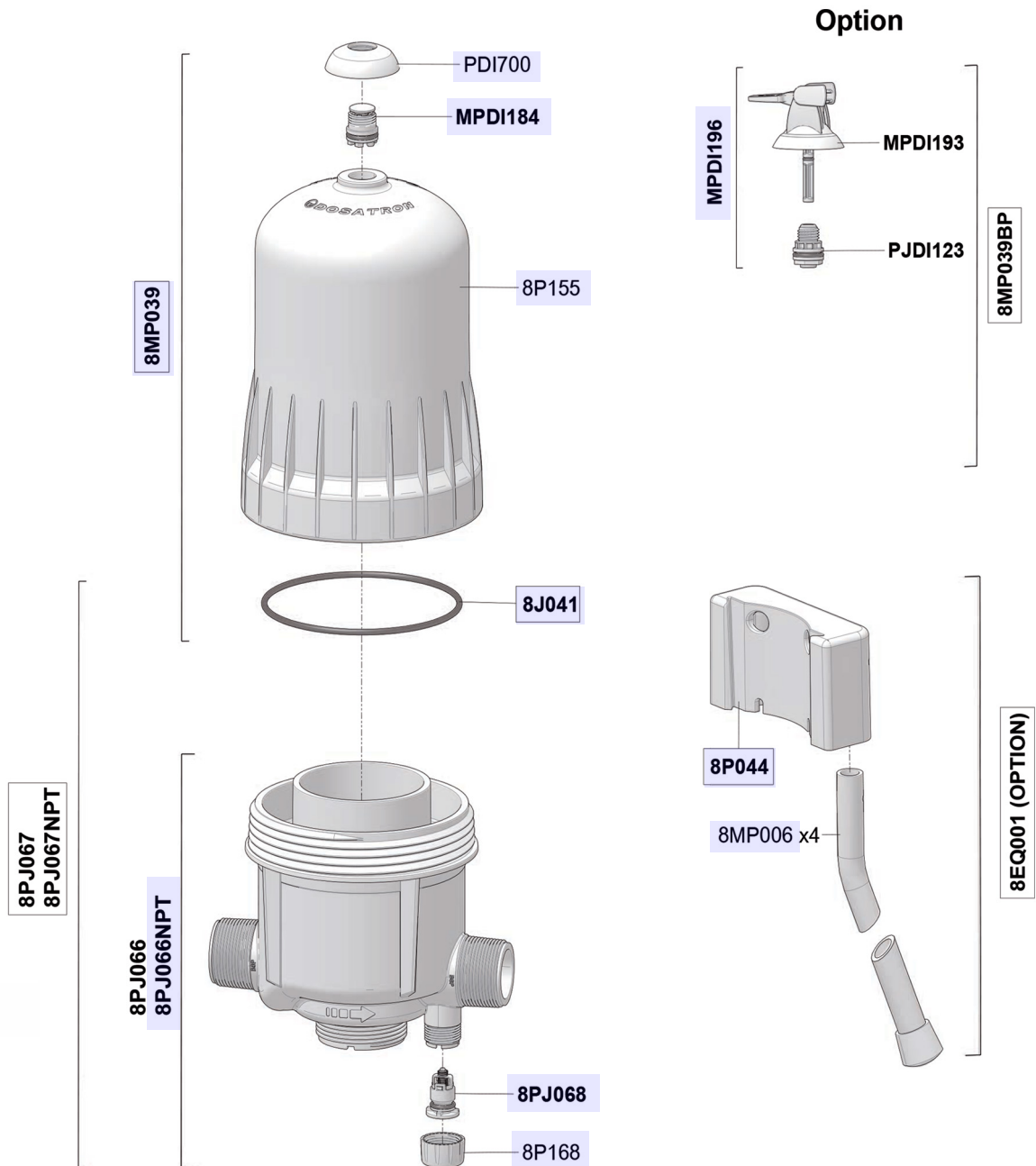
D40WL3000NAF

8 m³/h - 0.03 - 0.125%
40 GPM - 1:3000 - 1:800
0.15 - 8 bar
2.2 - 116 psi



D40WL3000NAF

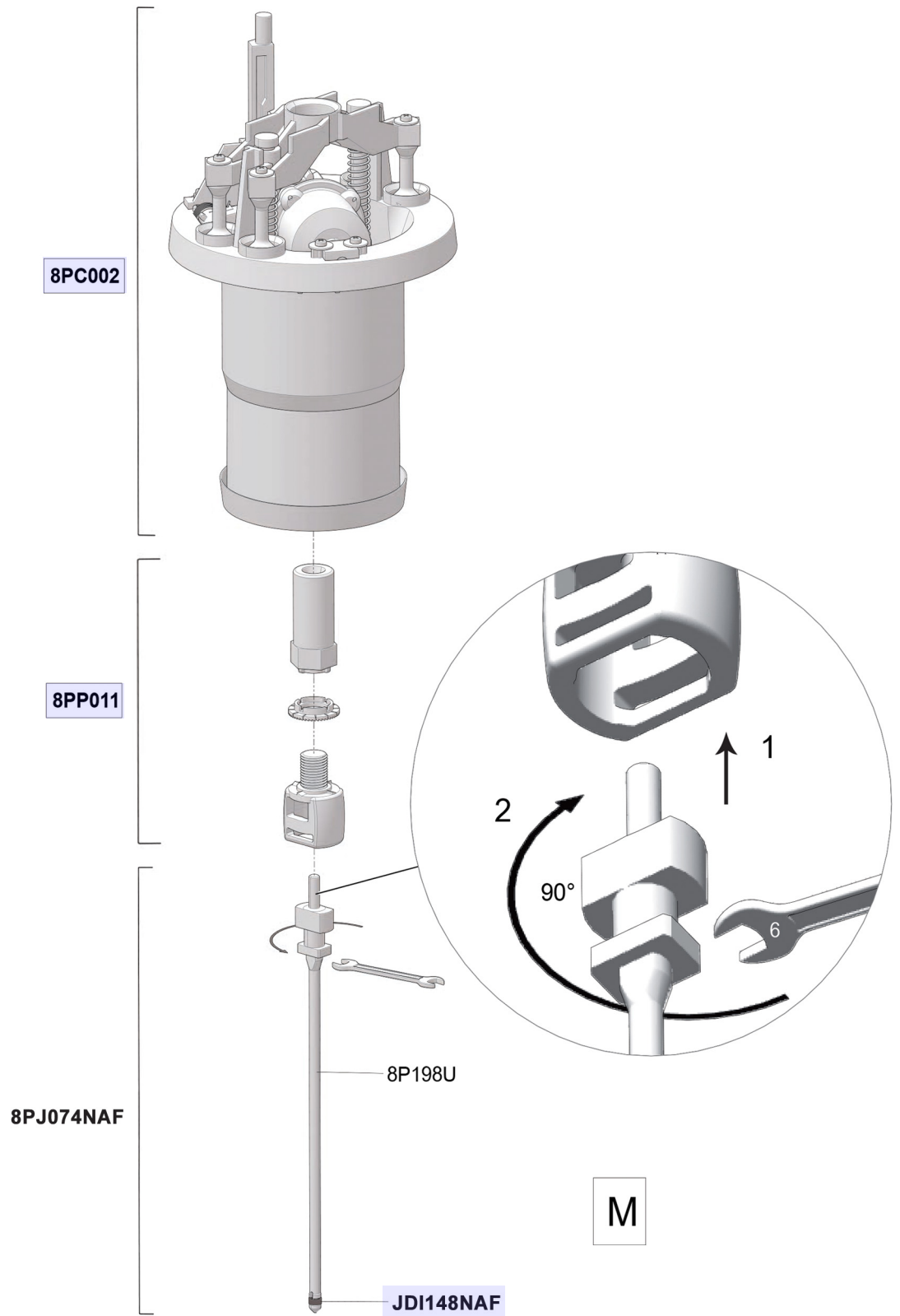
8 m³/h - 0.03 - 0.125%
40 GPM - 1:3000 - 1:800
0.15 - 8 bar
2.2 - 116 psi



C

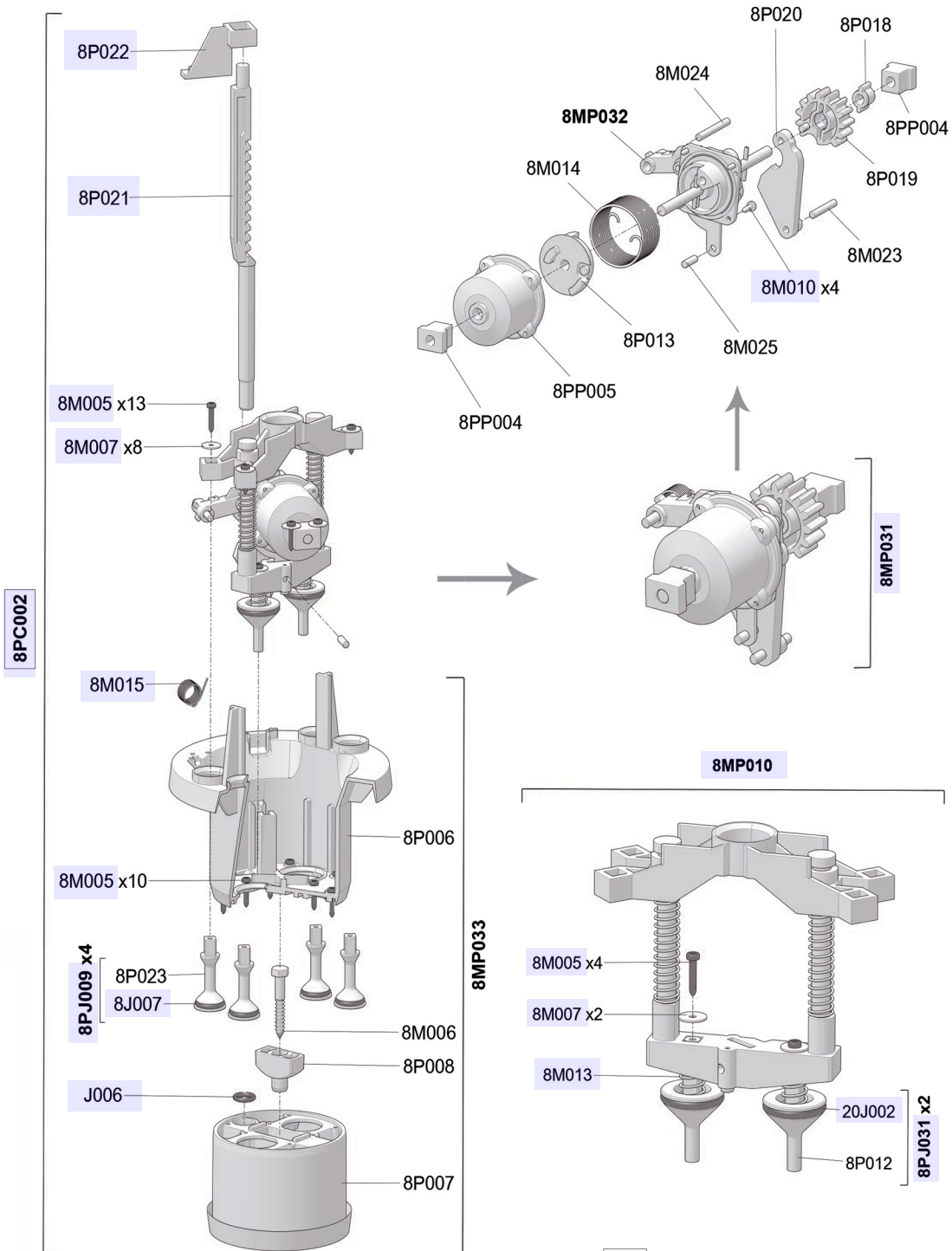
D40WL3000NAF

8 m³/h - 0.03 - 0.125%
40 GPM - 1:3000 - 1:800
0.15 - 8 bar
2.2 - 116 psi



D40WL3000NAF

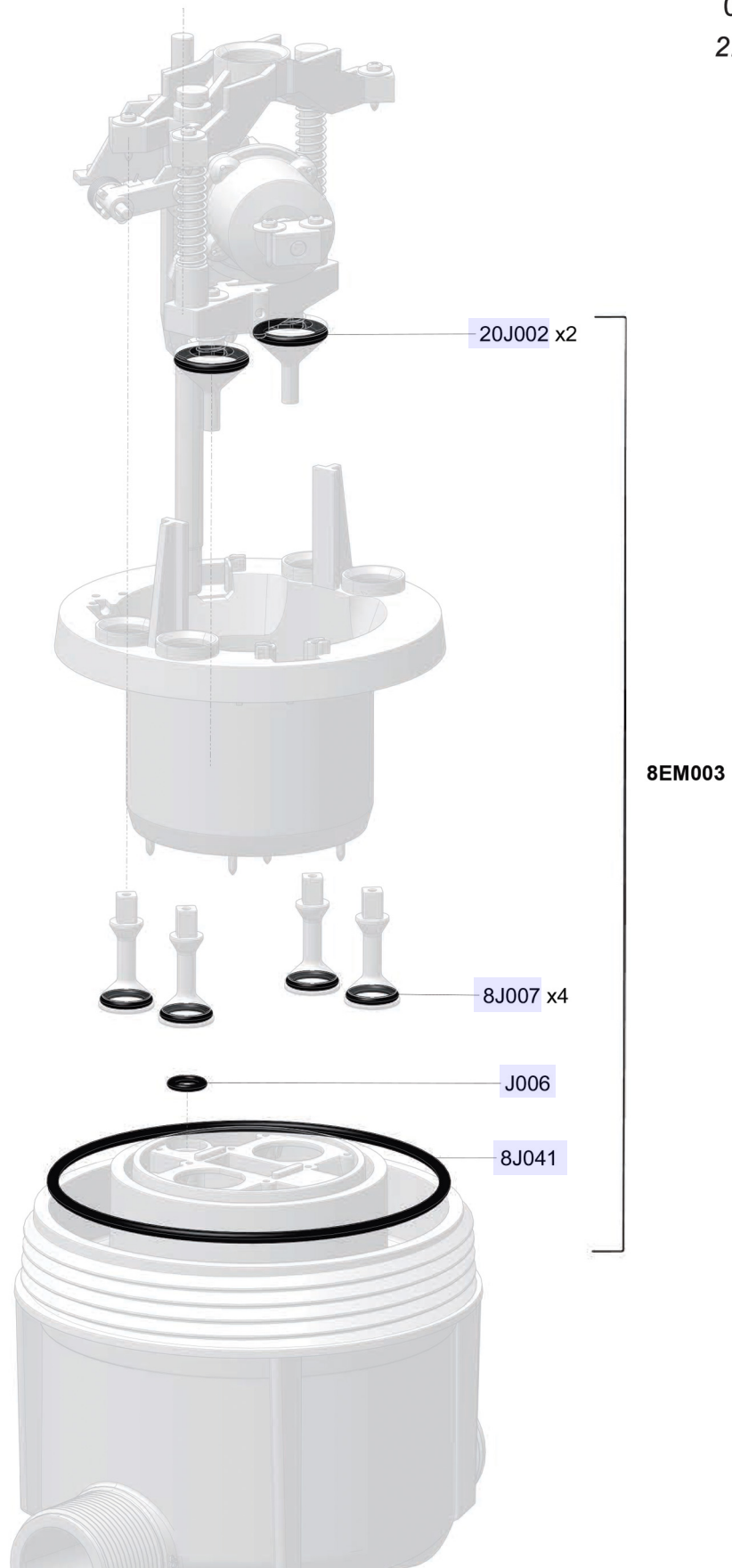
8 m³/h - 0.03 - 0.125%
40 GPM - 1:3000 - 1:800
0.15 - 8 bar
2.2 - 116 psi



M

D40WL3000NAF

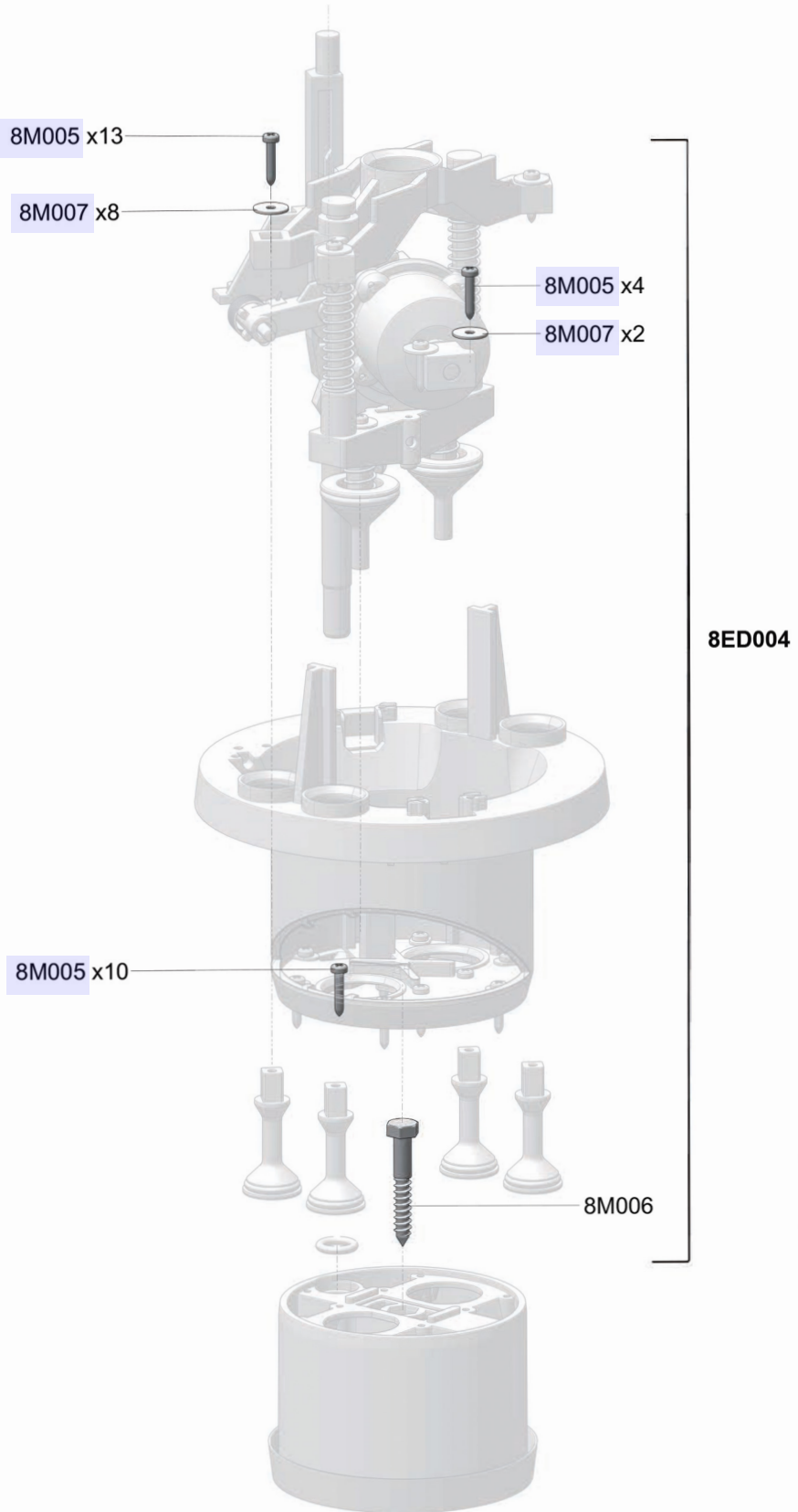
8 m³/h - 0.03 - 0.125%
40 GPM - 1:3000 - 1:800
0.15 - 8 bar
2.2 - 116 psi



M

D40WL3000NAF

8 m³/h - 0.03 - 0.125%
40 GPM - 1:3000 - 1:800
0.15 - 8 bar
2.2 - 116 psi

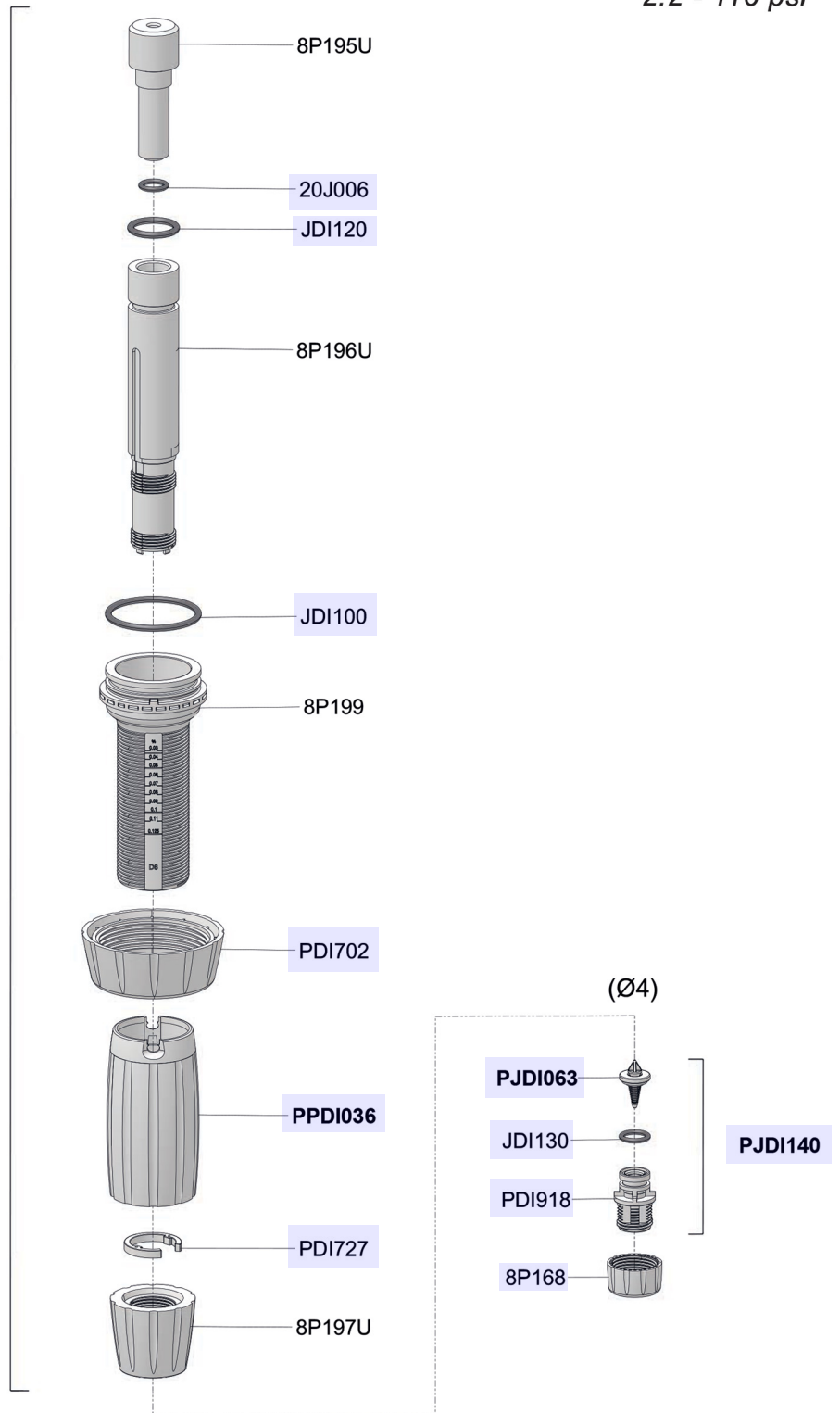


M

D40WL3000NAF

8 m³/h - 0.03 - 0.125%
40 GPM - 1:3000 - 1:800
0.15 - 8 bar
2.2 - 116 psi

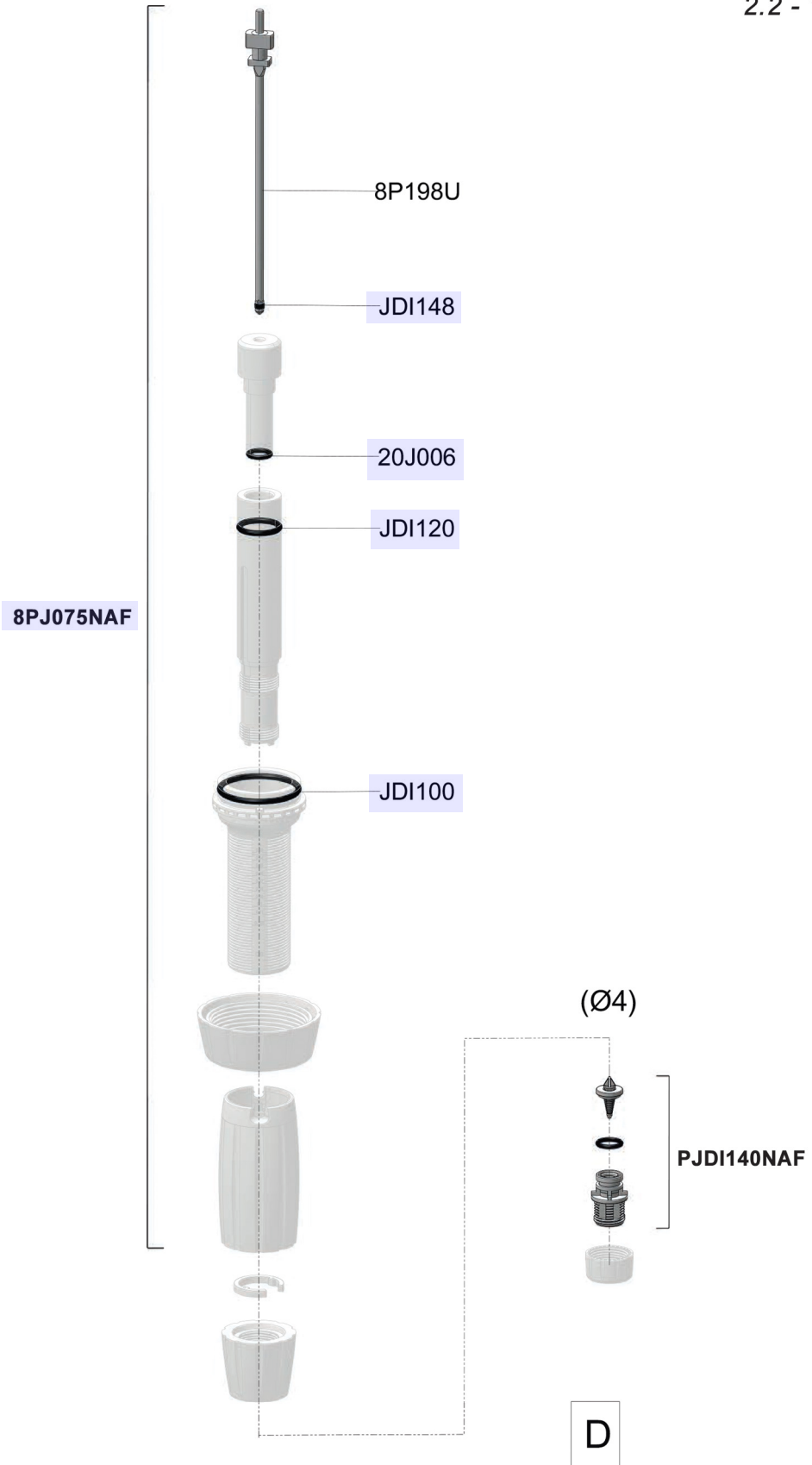
8CD035NAF



D

D40WL3000NAF

8 m³/h - 0.03 - 0.125%
40 GPM - 1:3000 - 1:800
0.15 - 8 bar
2.2 - 116 psi



D40WL3000NAF

8 m³/h - 0.03 - 0.125%
40 GPM - 1:3000 - 1:800
0.15 - 8 bar
2.2 - 116 psi

(Ø4)

