



DOSATRON®

An Ingersoll Rand Business



D25RE5-IE - 11 GPM INTERACTIVE SCHEMATICS

UNIT SPECIFICATIONS

- 1:100 - 1:20
- 4.3 - 85 PSI
- 3/4" NPT Connection

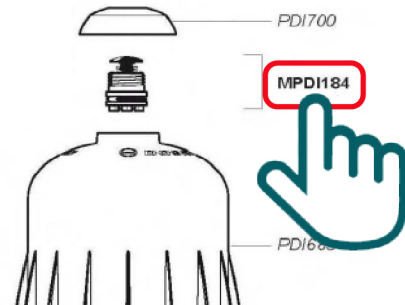
SUGGESTED INSTALLATION

- 200 mesh/80 micron water filter prior to the unit

SUGGESTED MAINTENANCE

- Injection Seal Kit
Part #: **PJ137**
For yearly maintenance for serial numbers up to 13400000
- Injection Seal Kit
Part #: **PJ159**
For yearly maintenance for serial numbers greater than 13400000

DOCUMENT INSTRUCTIONS

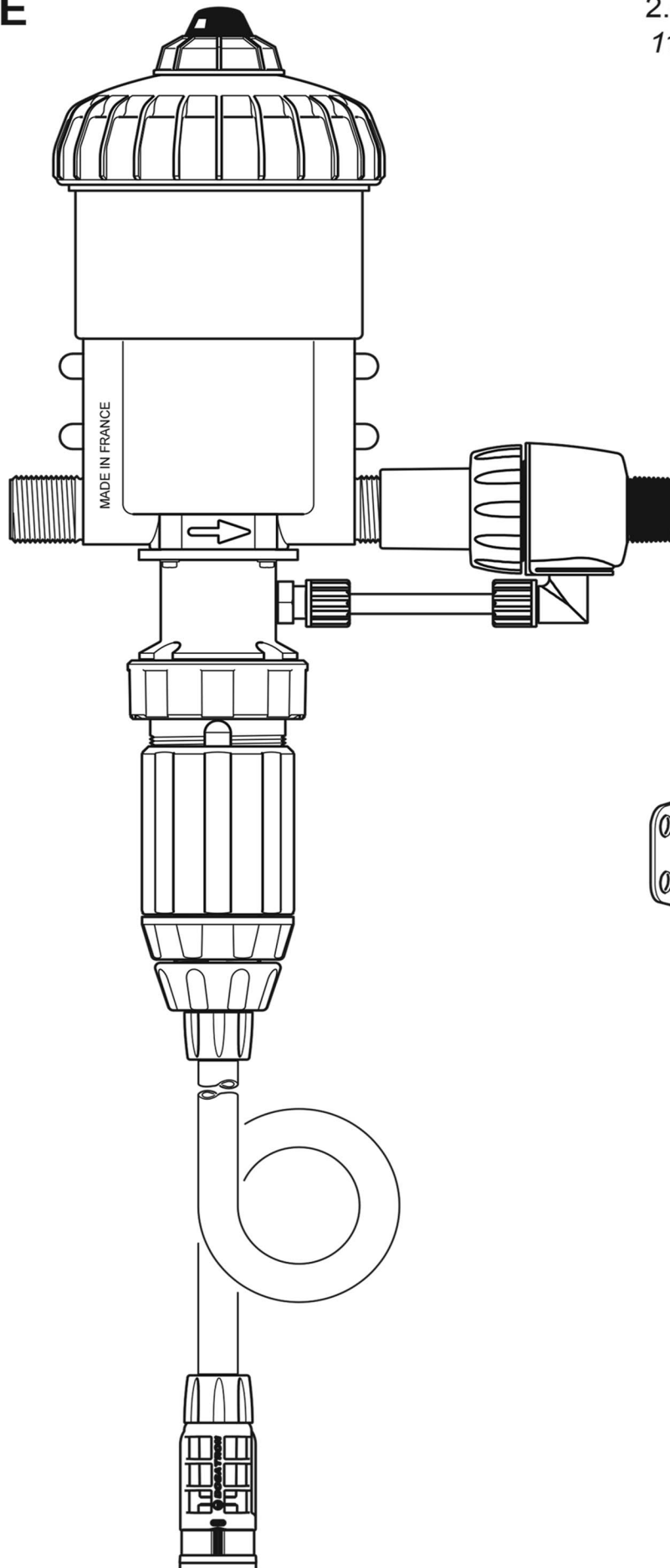


- Click on a part #, to visit item page
- Click arrow back from item page, to return to this document



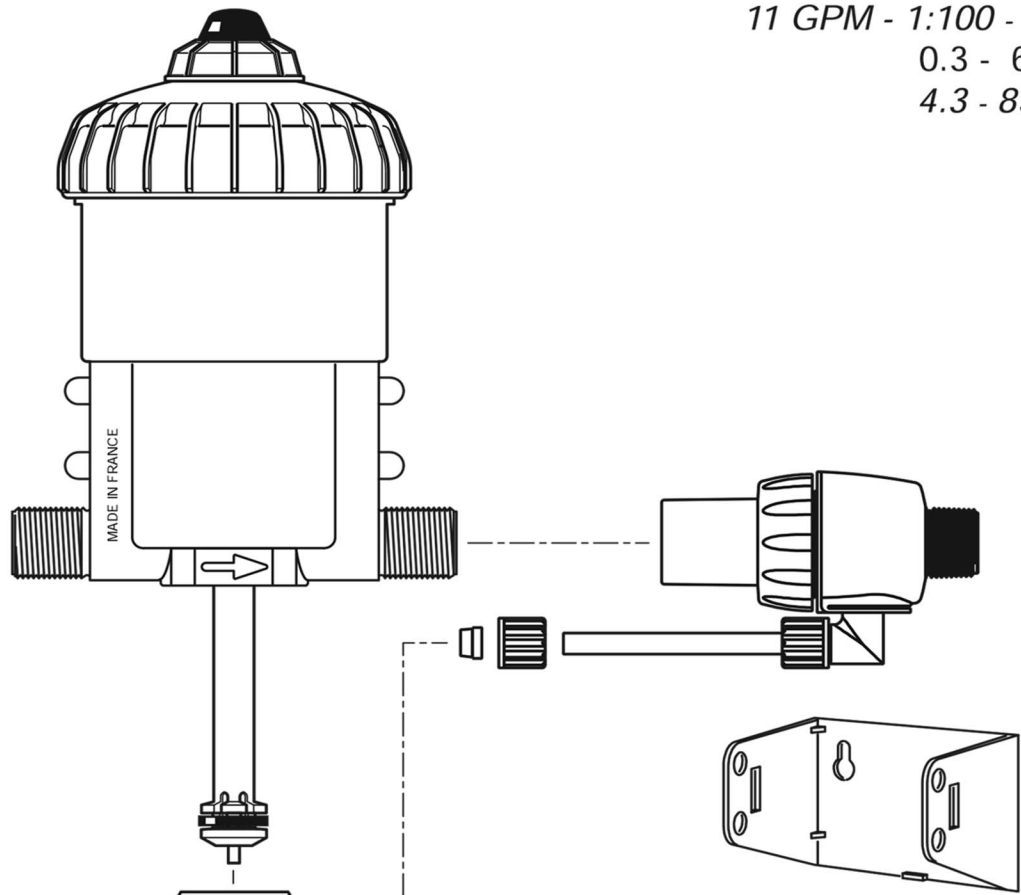
D25RE5-IE

2.5 m³/h - 1 - 5%
11 GPM - 1:100 - 1:20
0.3 - 6 bar
4.3 - 85 psi

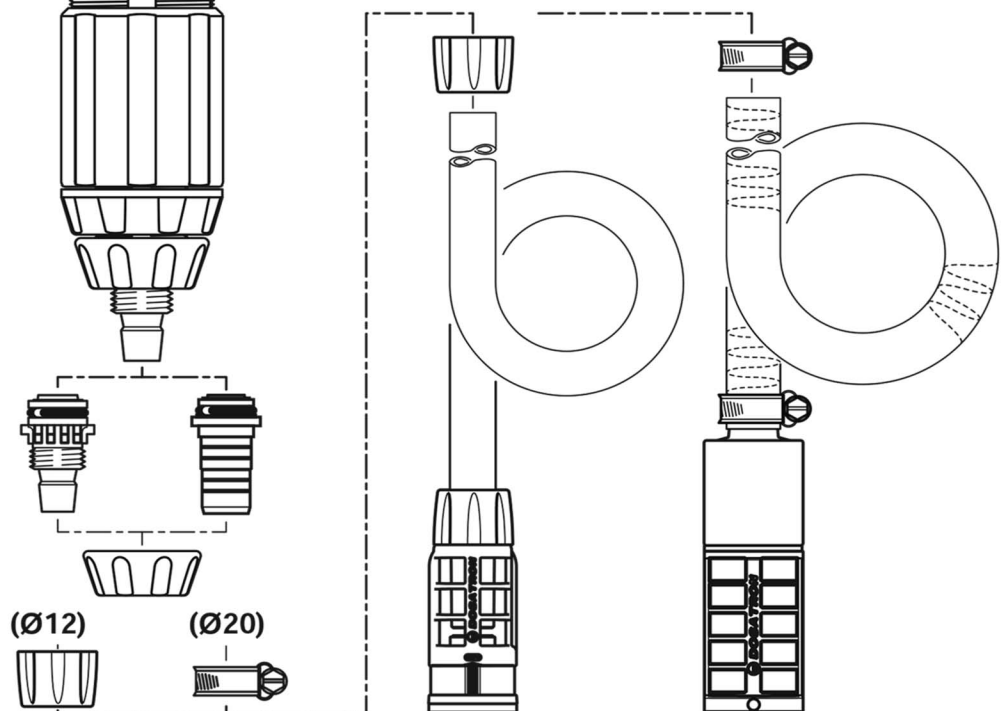


D25RE5-IE

2.5 m³/h - 1 - 5%
11 GPM - 1:100 - 1:20
0.3 - 6 bar
4.3 - 85 psi

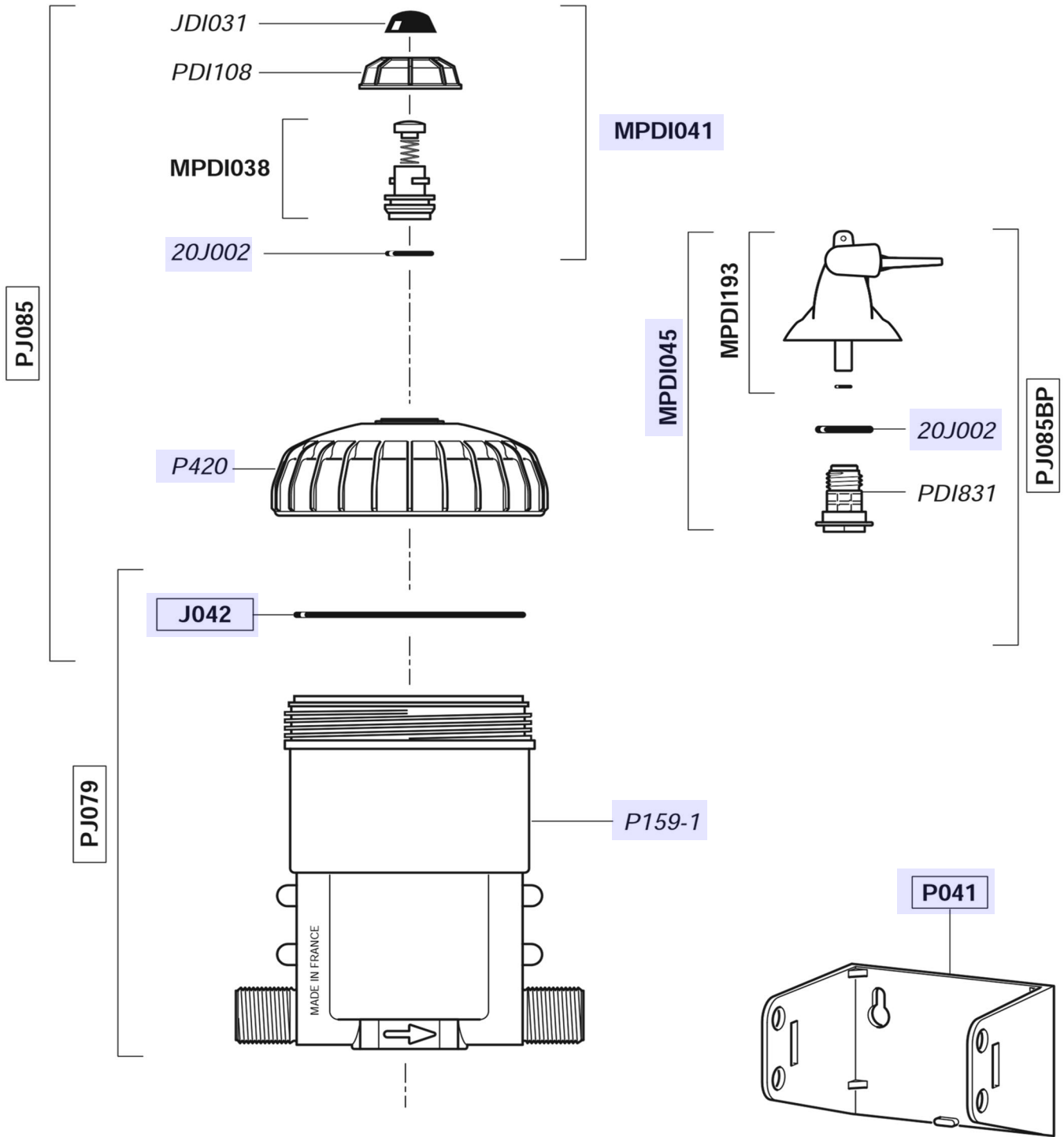


Option "V"



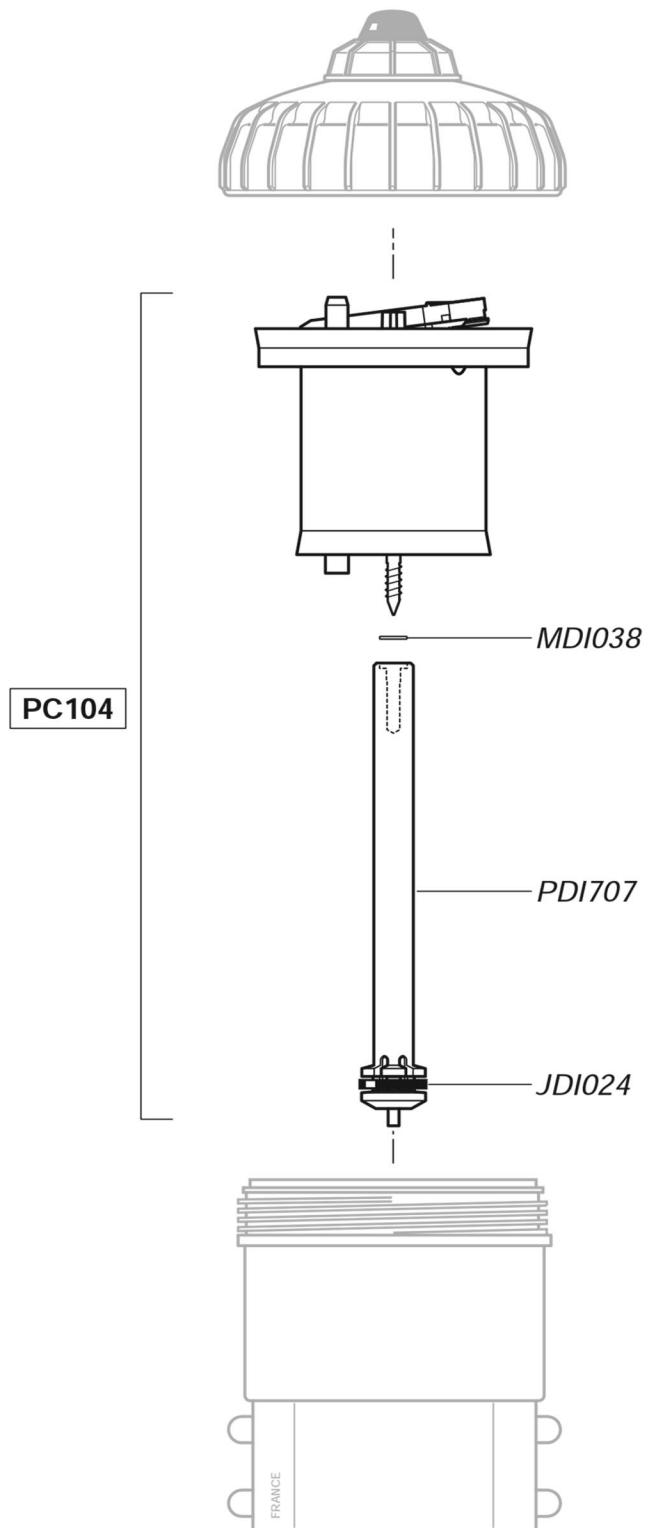
D25RE5-IE

2.5 m³/h - 1 - 5%
 11 GPM - 1:100 - 1:20
 0.3 - 6 bar
 4.3 - 85 psi



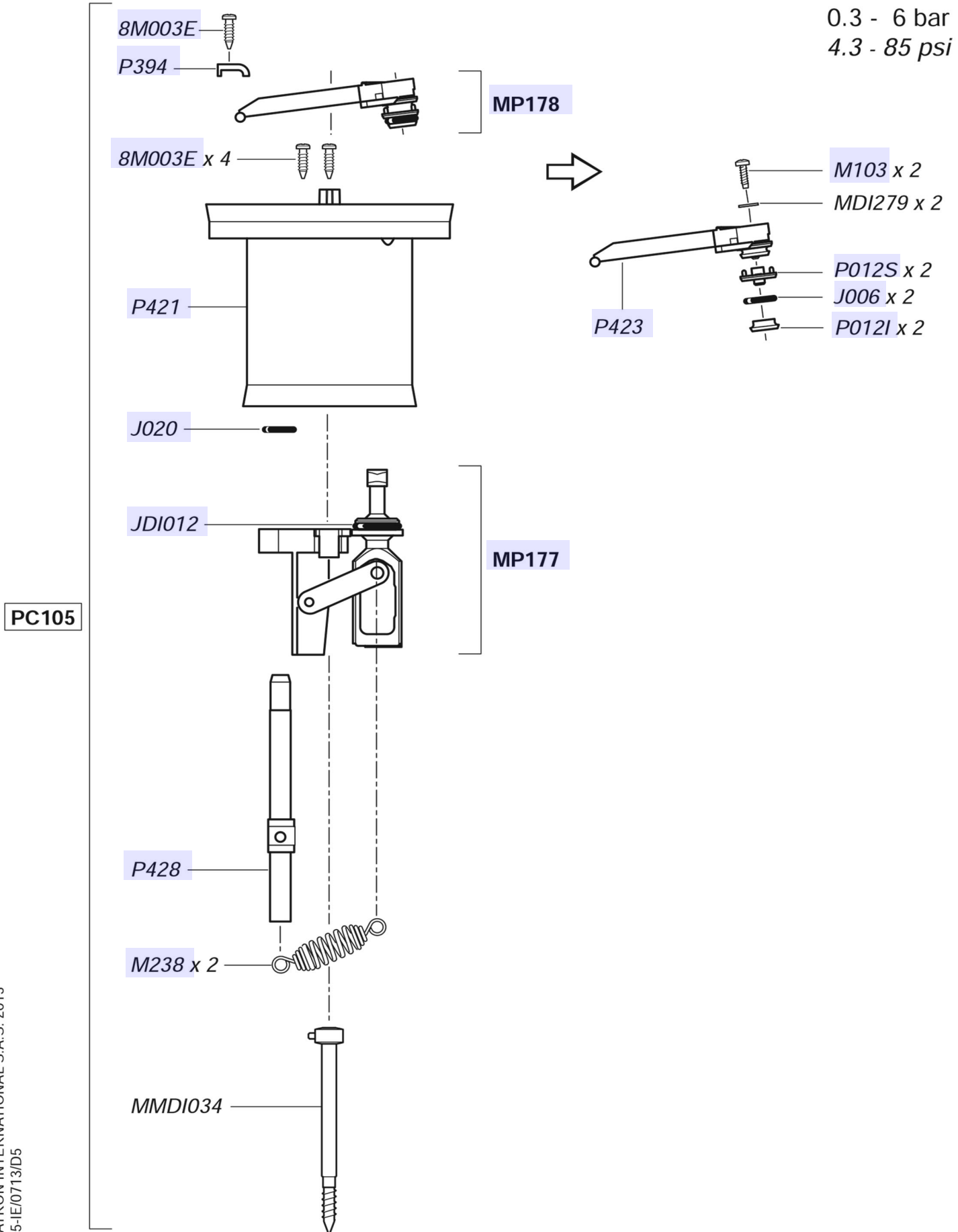
D25RE5-IE

2.5 m³/h - 1 - 5%
11 GPM - 1:100 - 1:20
0.3 - 6 bar
4.3 - 85 psi



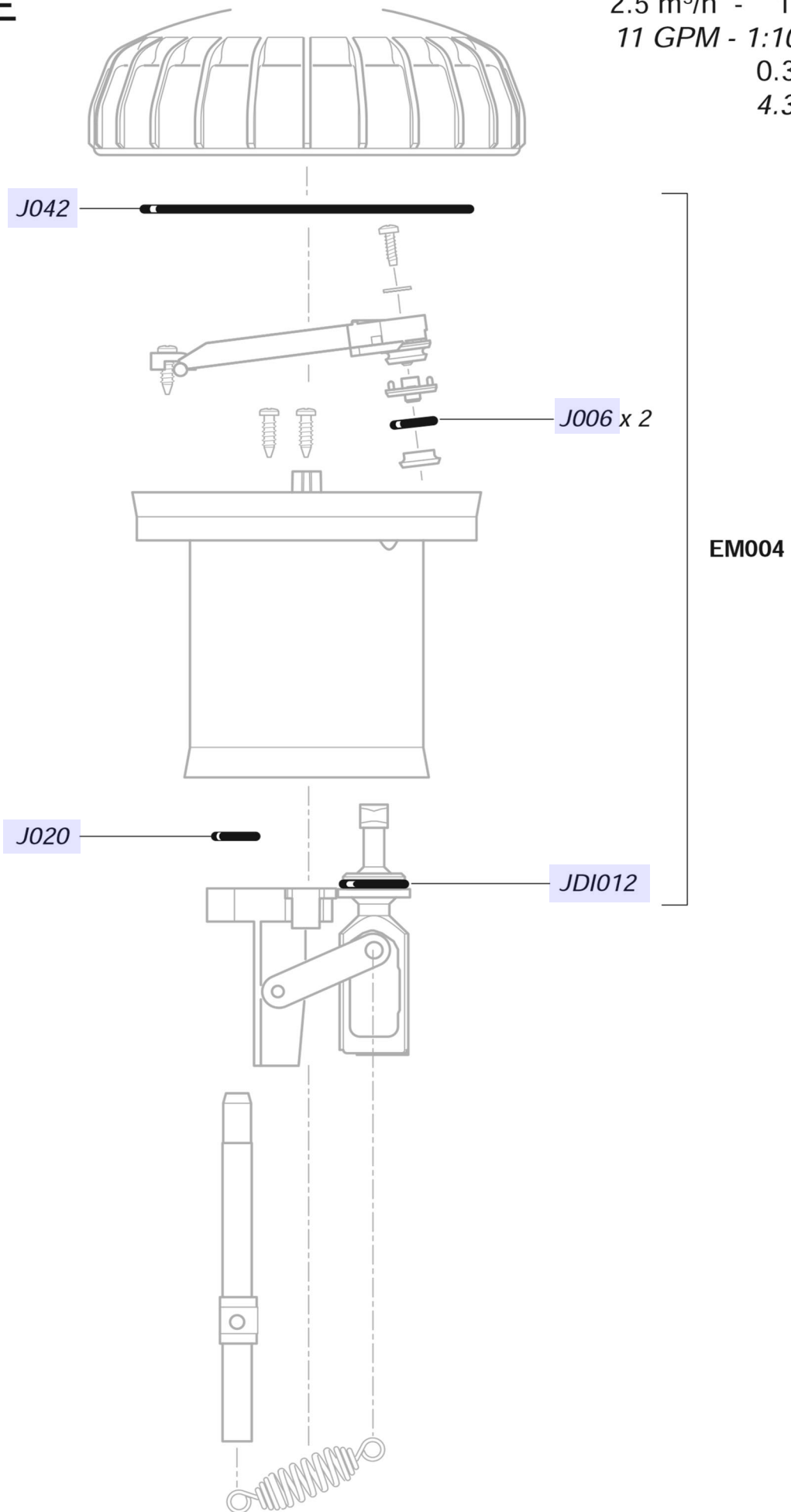
D25RE5-IE

2.5 m³/h - 1 - 5%
 11 GPM - 1:100 - 1:20
 0.3 - 6 bar
 4.3 - 85 psi



D25RE5-IE

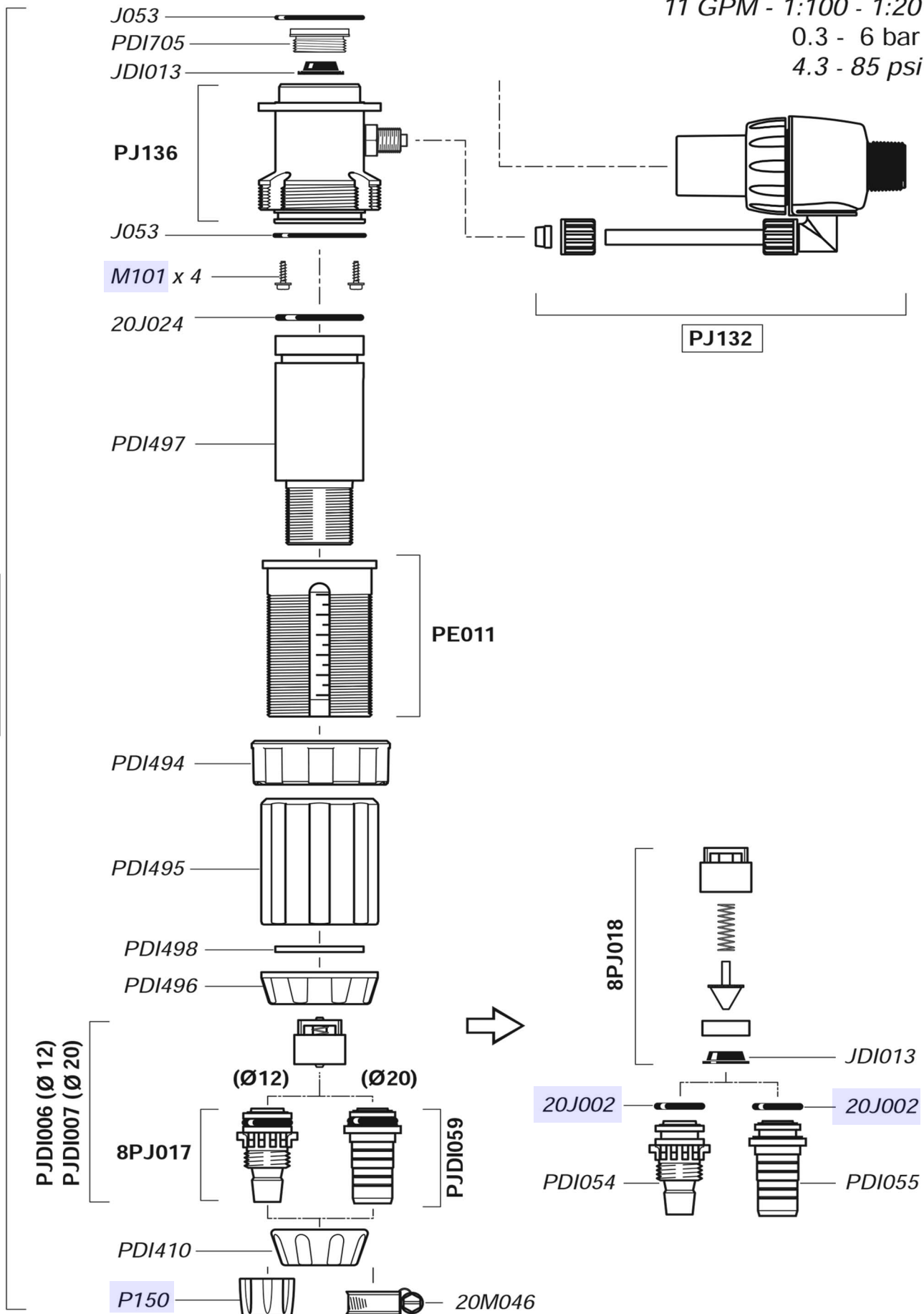
2.5 m³/h - 1 - 5%
11 GPM - 1:100 - 1:20
0.3 - 6 bar
4.3 - 85 psi



D25RE5-IE

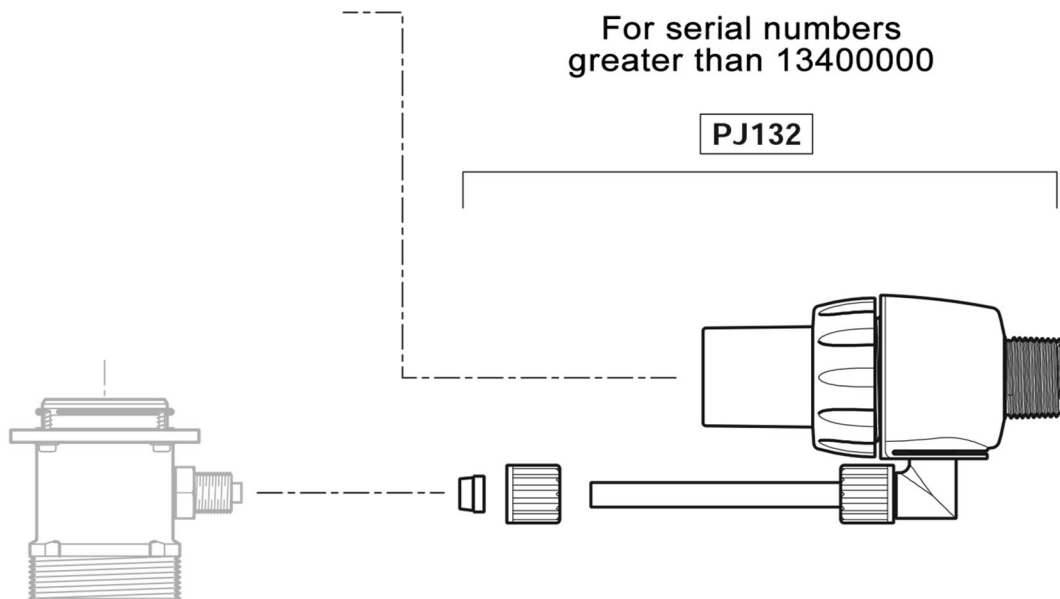
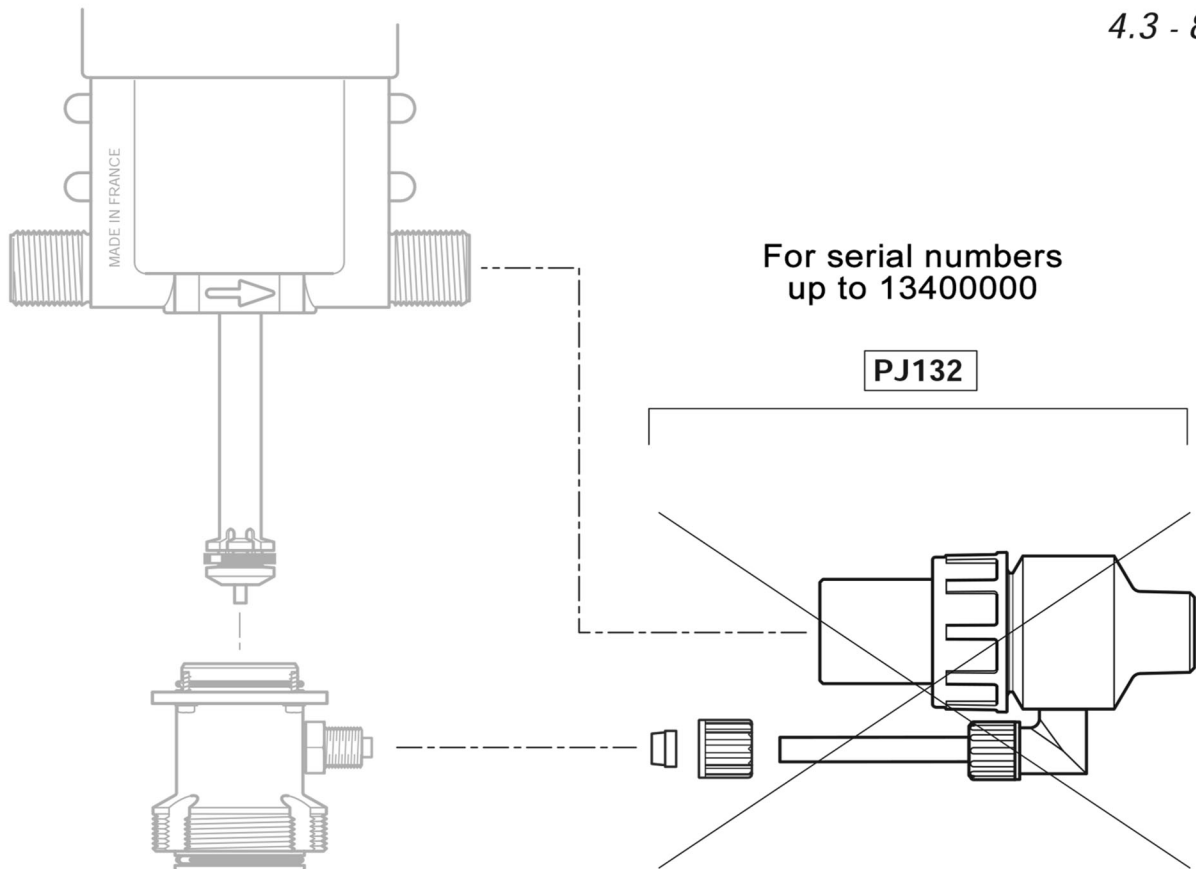
2.5 m³/h - 1 - 5%
 11 GPM - 1:100 - 1:20
 0.3 - 6 bar
 4.3 - 85 psi

CD101 (Ø 12)
 CD101V (Ø 20)



D25RE5-IE

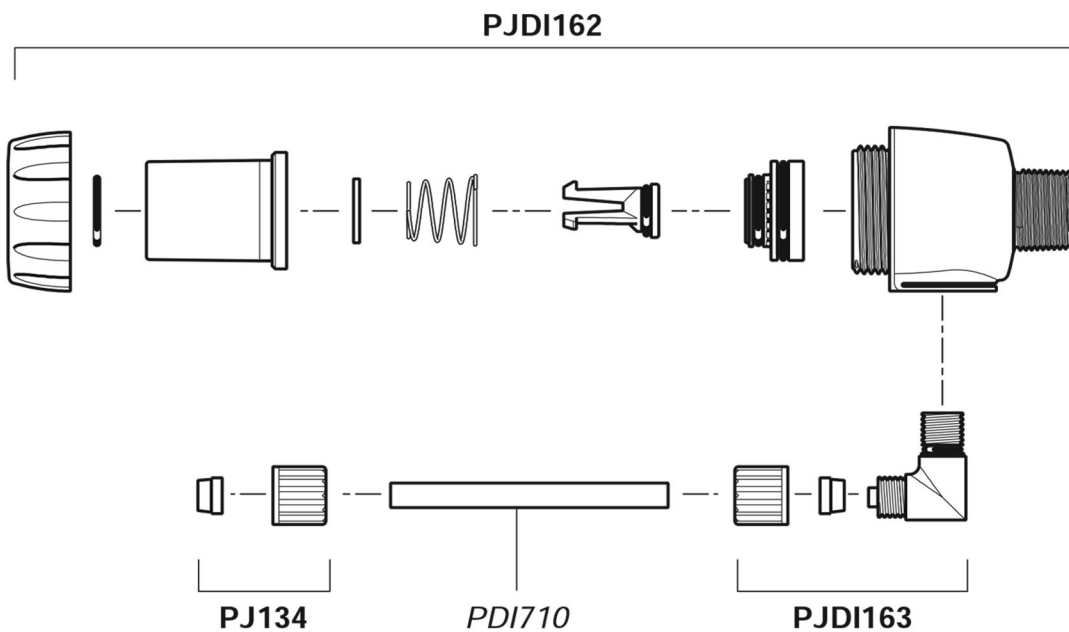
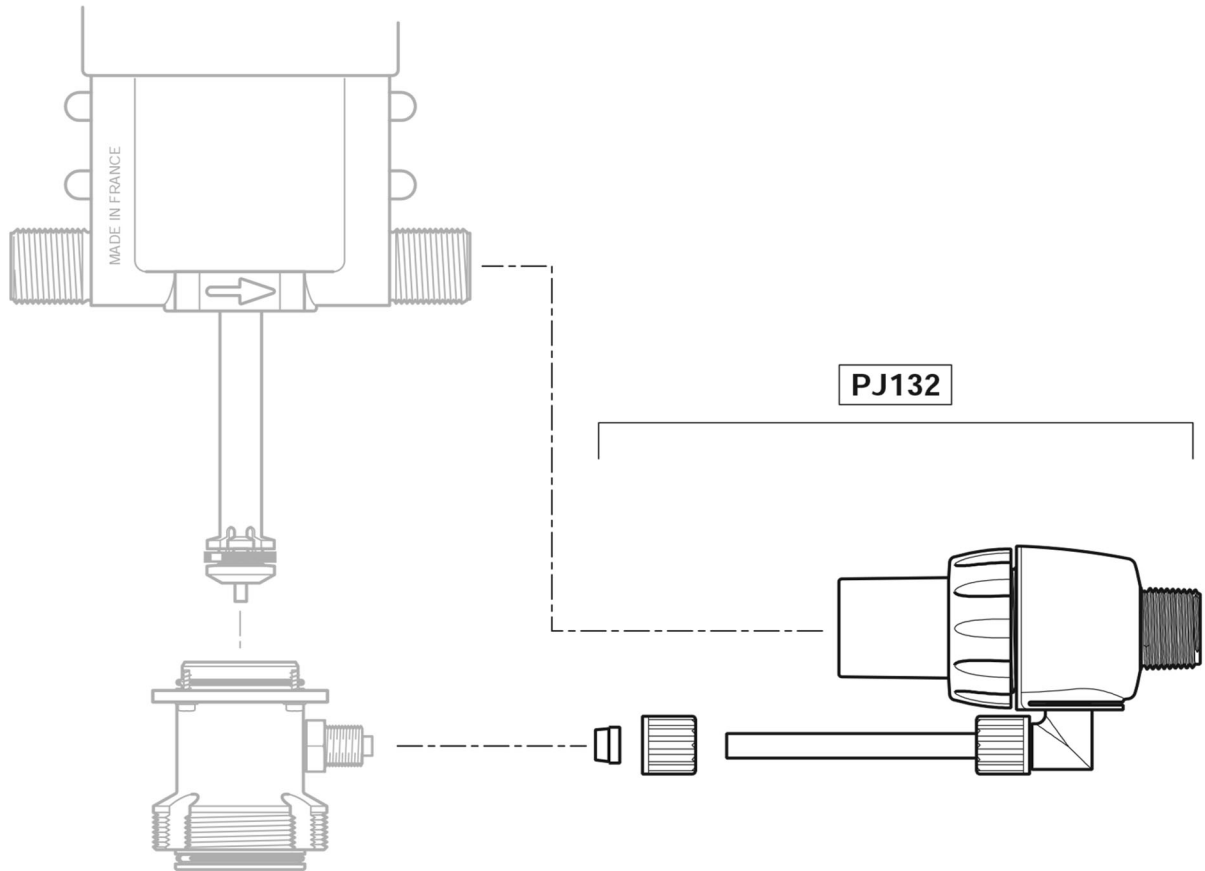
2.5 m³/h - 1 - 5%
11 GPM - 1:100 - 1:20
0.3 - 6 bar
4.3 - 85 psi



D25RE5-IE

For serial numbers
greater than 13400000

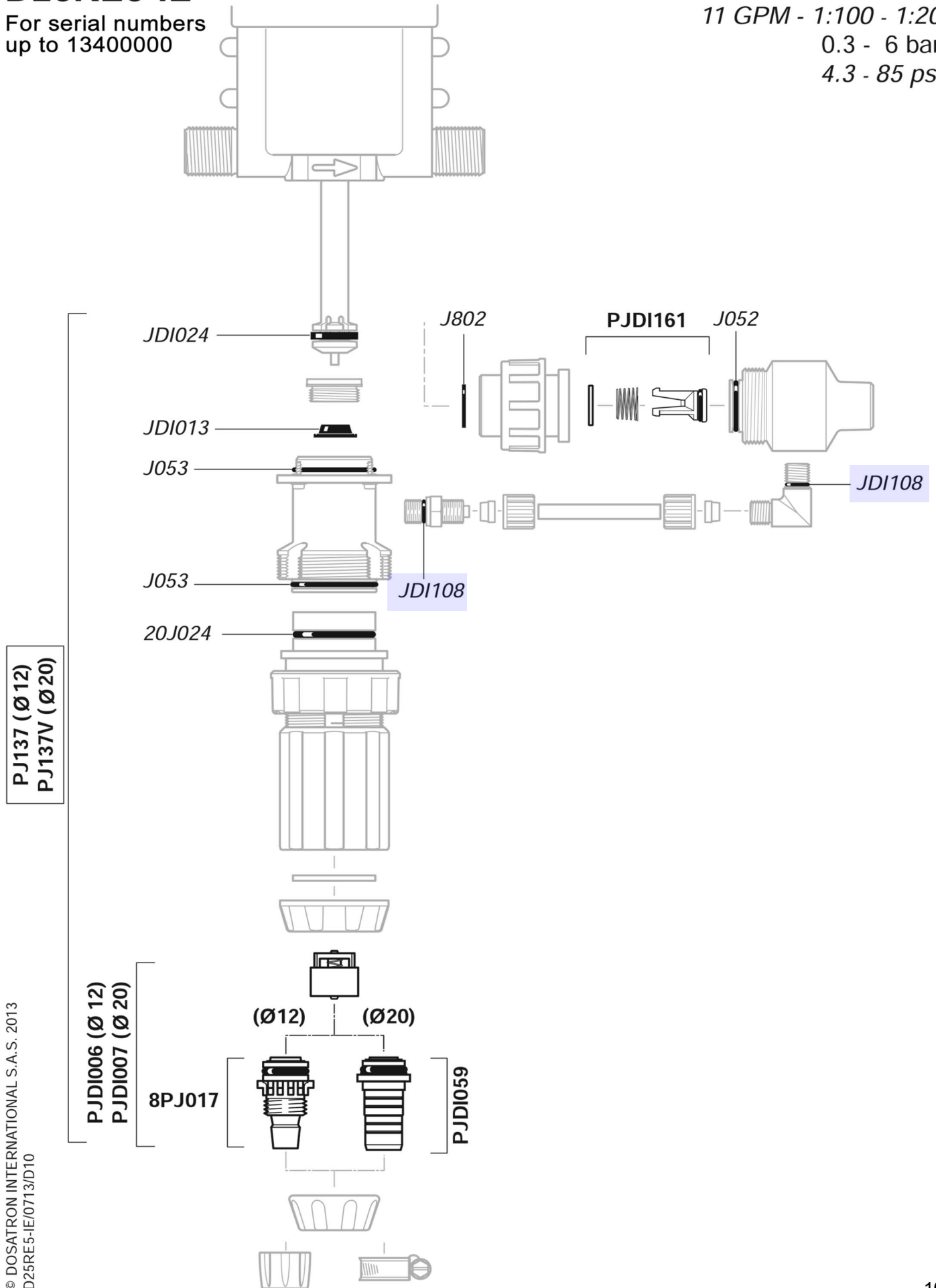
2.5 m³/h - 1 - 5%
11 GPM - 1:100 - 1:20
0.3 - 6 bar
4.3 - 85 psi



D25RE5-IE

For serial numbers
up to 13400000

2.5 m³/h - 1 - 5%
11 GPM - 1:100 - 1:20
0.3 - 6 bar
4.3 - 85 psi

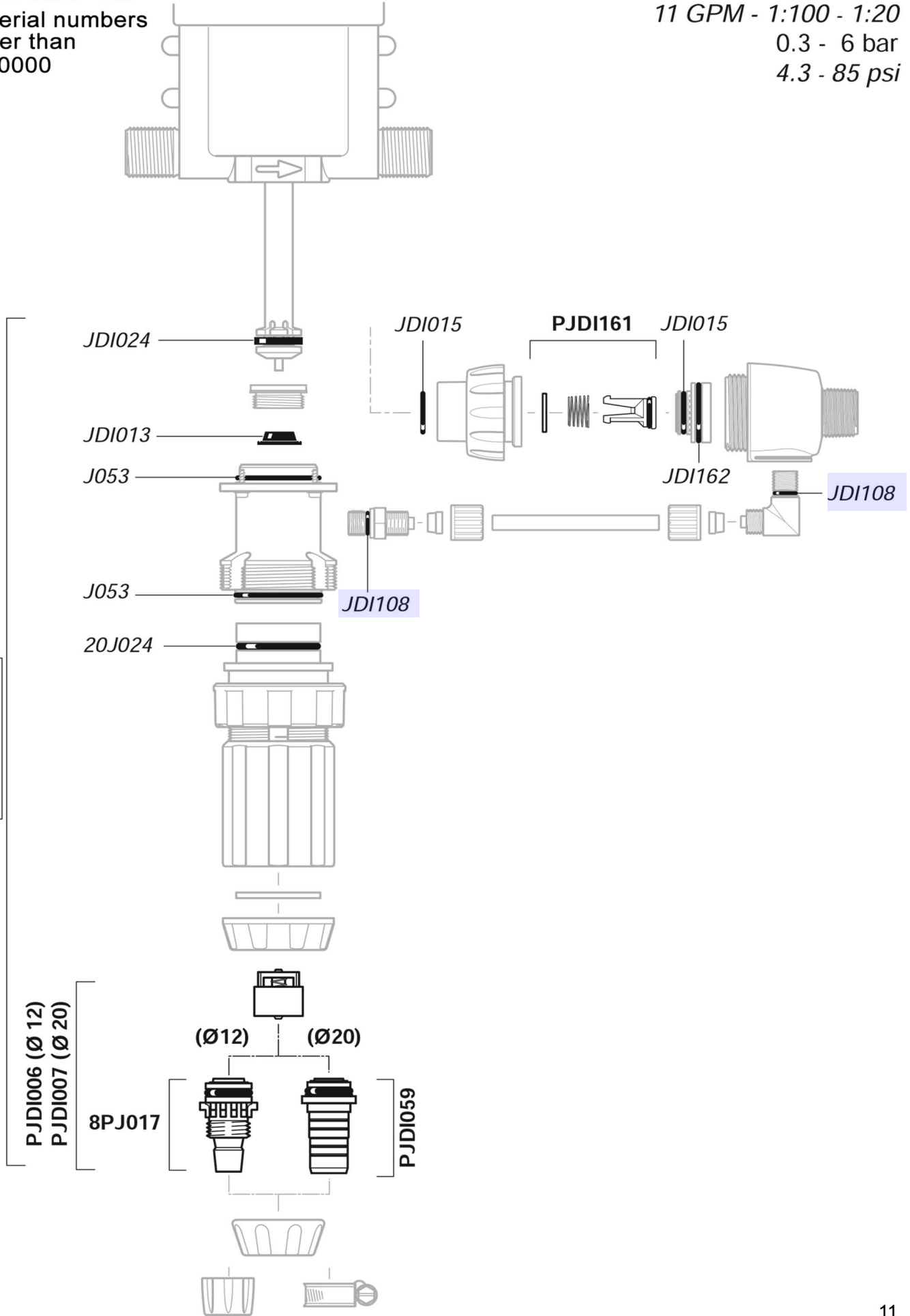


D25RE5-IE

For serial numbers
greater than
13400000

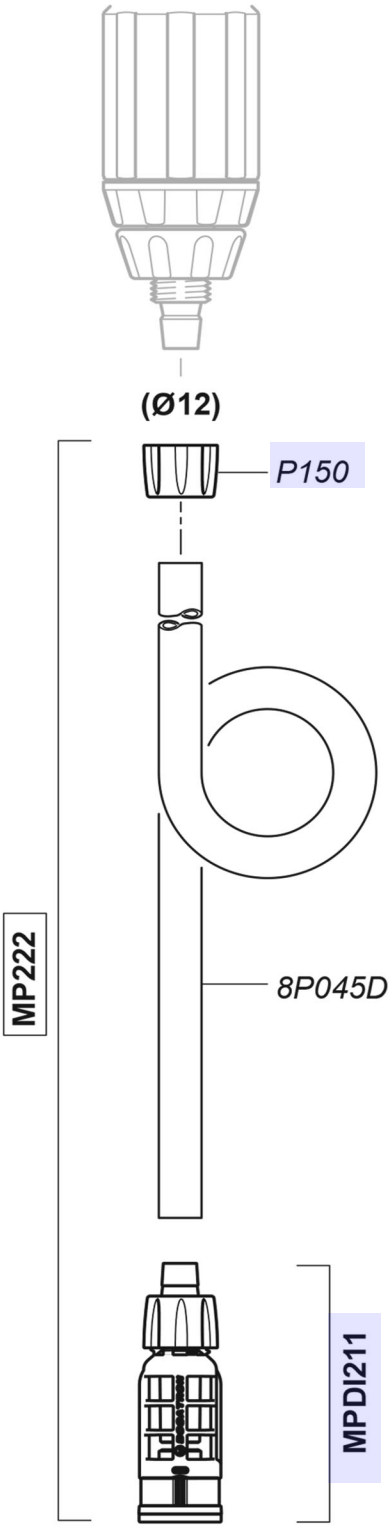
2.5 m³/h - 1 - 5%
11 GPM - 1:100 - 1:20
0.3 - 6 bar
4.3 - 85 psi

PJ159 (Ø 12)
PJ159V (Ø 20)



D25RE5-IE

2.5 m³/h - 1 - 5%
11 GPM - 1:100 - 1:20
0.3 - 6 bar
4.3 - 85 psi



Option "V"

