



DOSATRON®

An Ingersoll Rand Business



D14MZ5 - 14 GPM INTERACTIVE SCHEMATICS

UNIT SPECIFICATIONS

- 1:200 - 1:20
- 4.3 - 85 PSI
- 3/4" NPT Connection

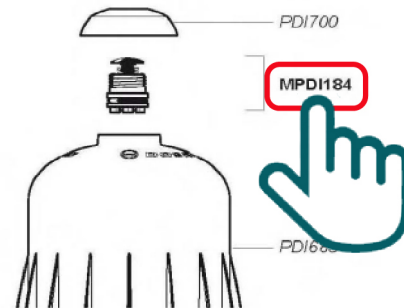
SUGGESTED INSTALLATION

- 200 mesh/80 micron water filter prior to the unit

SUGGESTED MAINTENANCE

- Injection Seal Kit
Part #: [PJDI120](#)
For yearly maintenance
- Injection Seal Kit - for Viscous
Part #: [PJDI120V](#)
For yearly maintenance
- Rebuild Kit
Part #: [MKD14MZ5](#)
Extends the life of your unit
- Piston Flange Kit
Part #: [PPDI034](#)

DOCUMENT INSTRUCTIONS

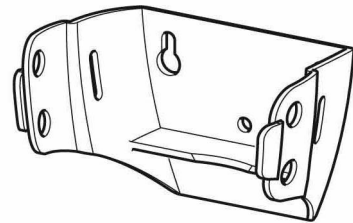
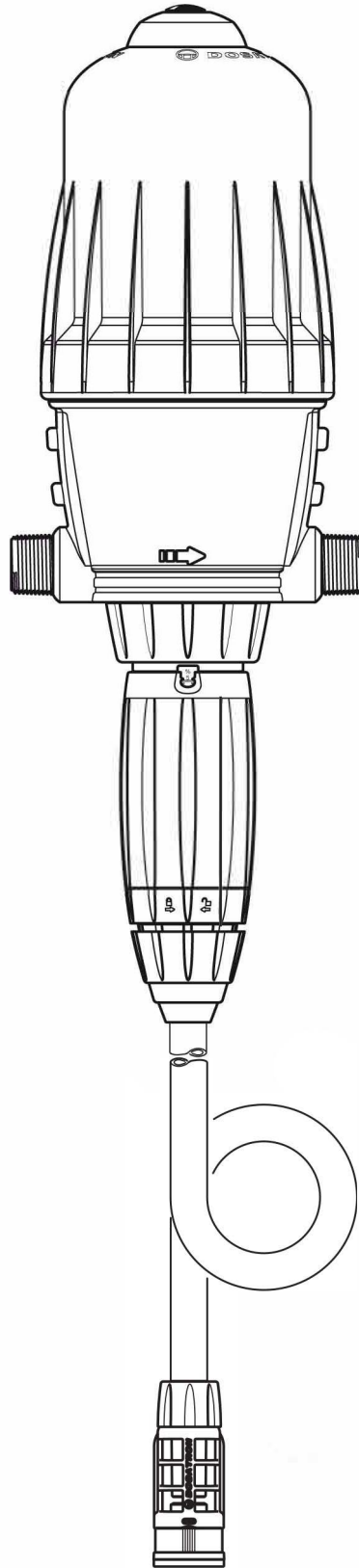


- Click on a part #, to visit item page
- Click arrow back from item page, to return to this document



D14MZ5

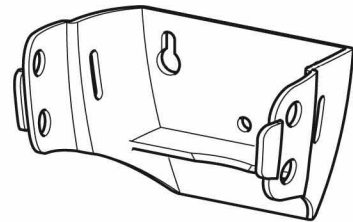
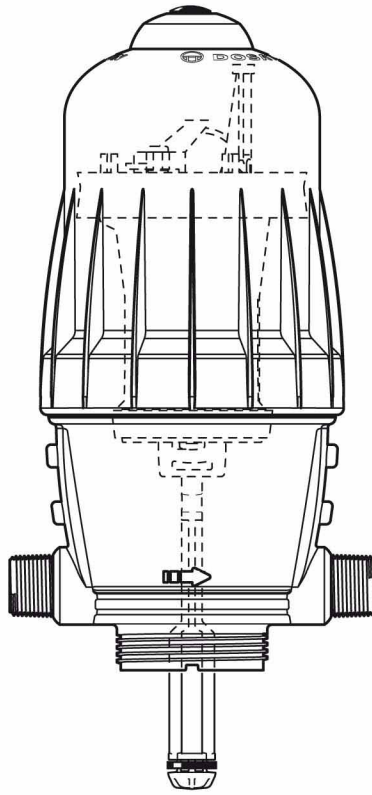
14 GPM - 1:200 - 1:20
3 m³/h - 0.5 - 5 %
4.3 - 85 psi
0.3 - 6 bar



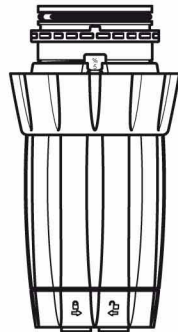
D14MZ5

14 GPM - 1:200 - 1:20
3 m³/h - 0.5 - 5 %
4.3 - 85 psi
0.3 - 6 bar

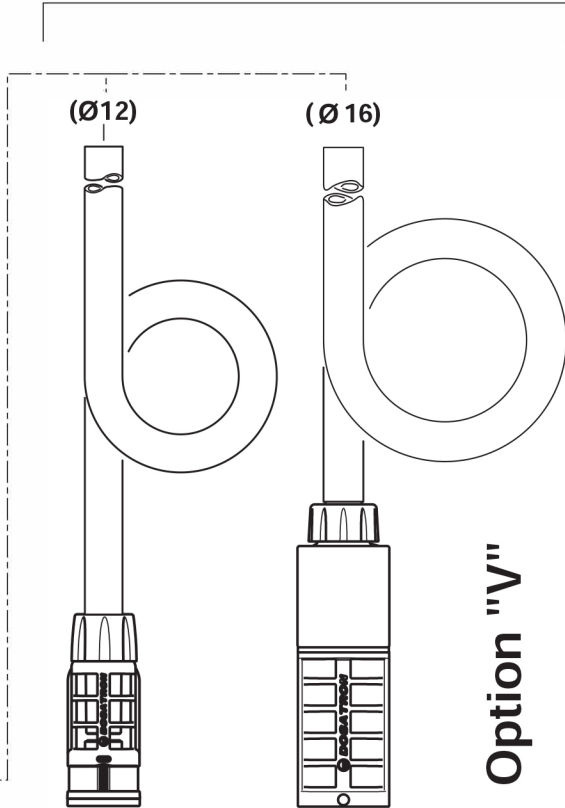
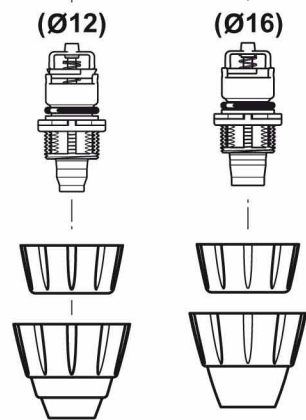
C+M



A

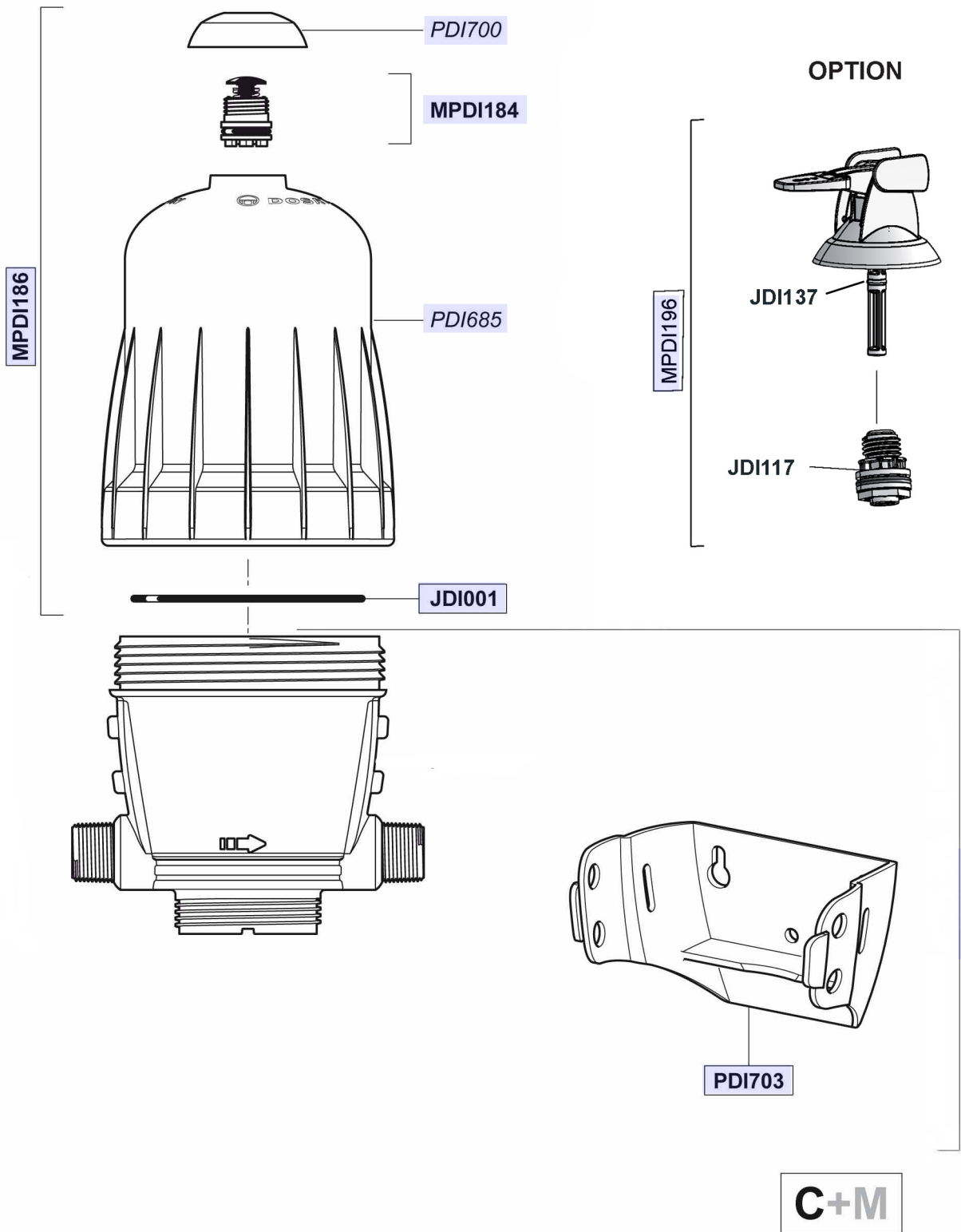


D



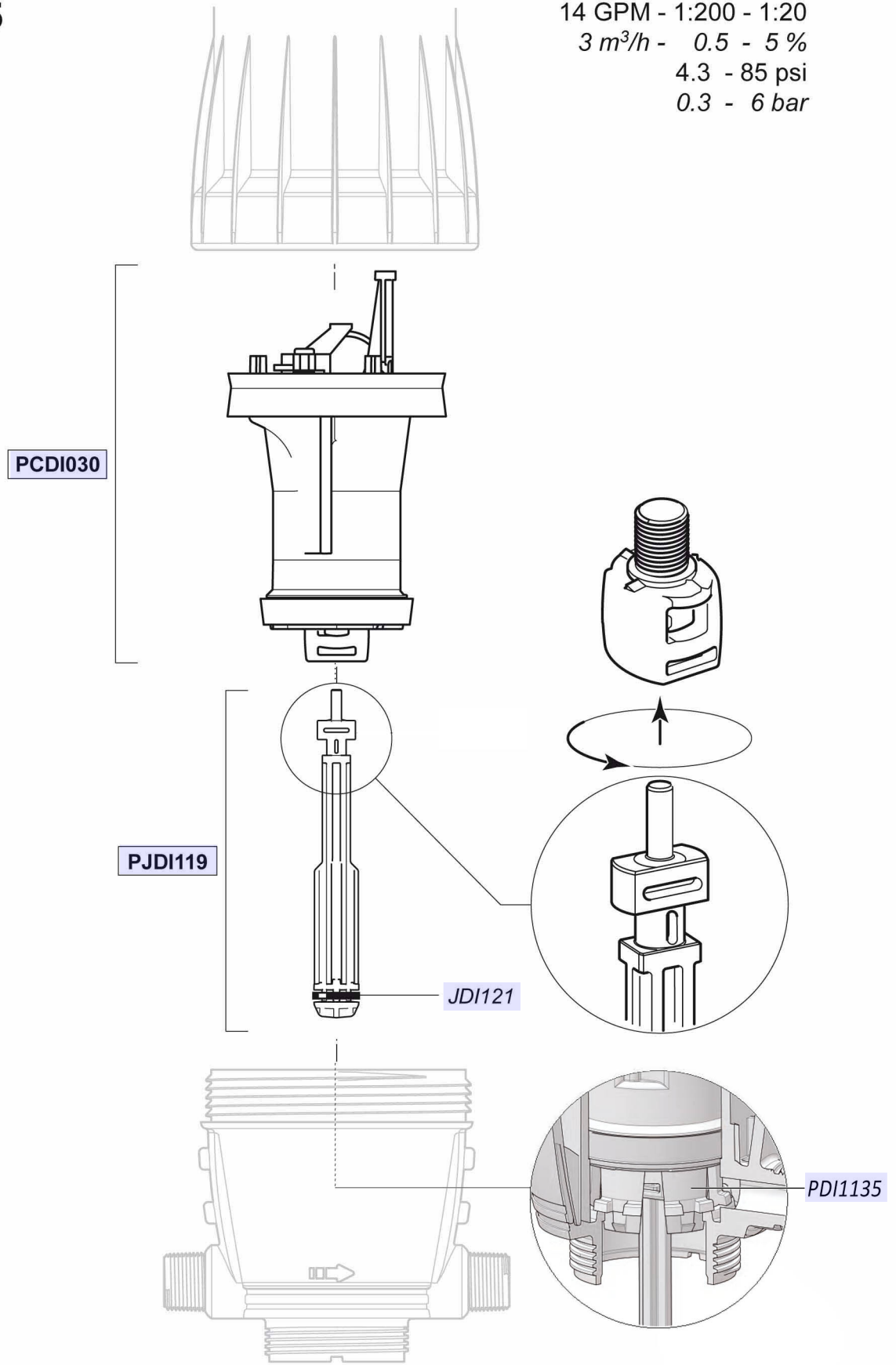
D14MZ5

14 GPM - 1:200 - 1:20
3 m³/h - 0.5 - 5 %
4.3 - 85 psi
0.3 - 6 bar



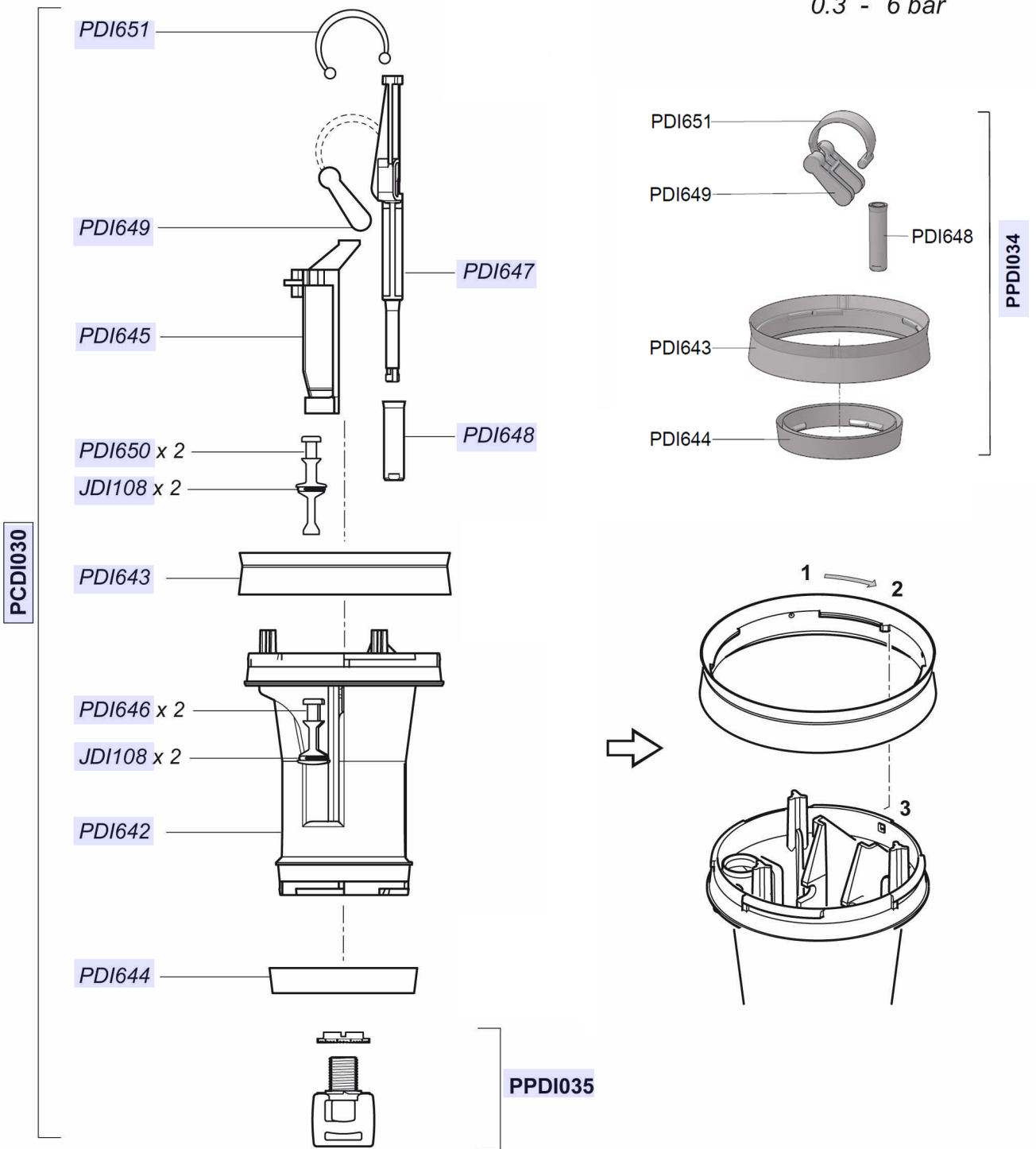
D14MZ5

14 GPM - 1:200 - 1:20
3 m³/h - 0.5 - 5 %
4.3 - 85 psi
0.3 - 6 bar



D14MZ5

14 GPM - 1:200 - 1:20
 3 m³/h - 0.5 - 5 %
 4.3 - 85 psi
 0.3 - 6 bar

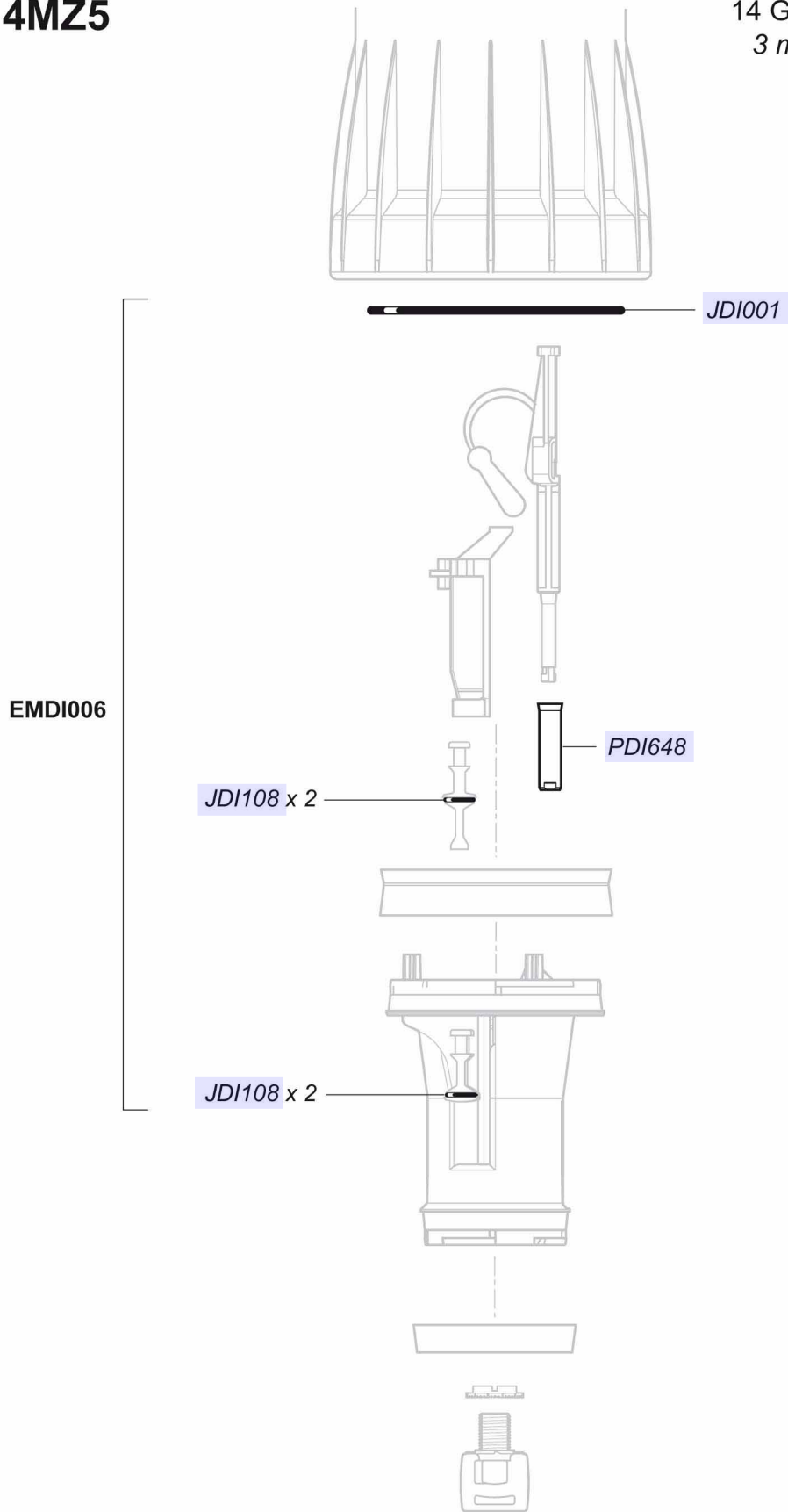


© DOSATRON INTERNATIONAL S.A.S. 2008
 D14MZ5/0608/05



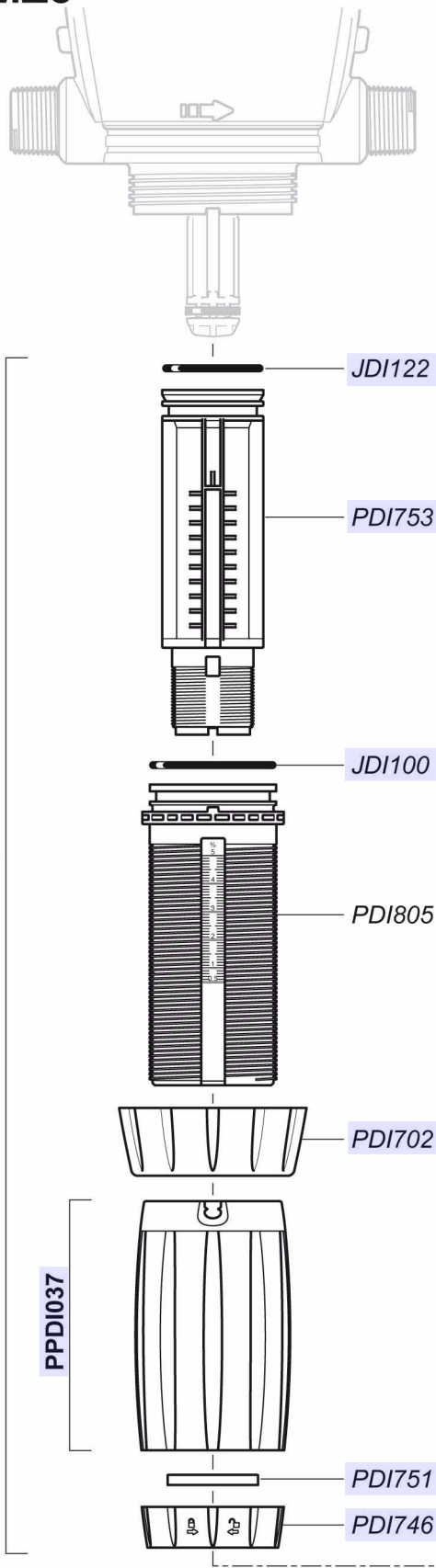
D14MZ5

14 GPM - 1:200 - 1:20
3 m³/h - 0.5 - 5 %
4.3 - 85 psi
0.3 - 6 bar



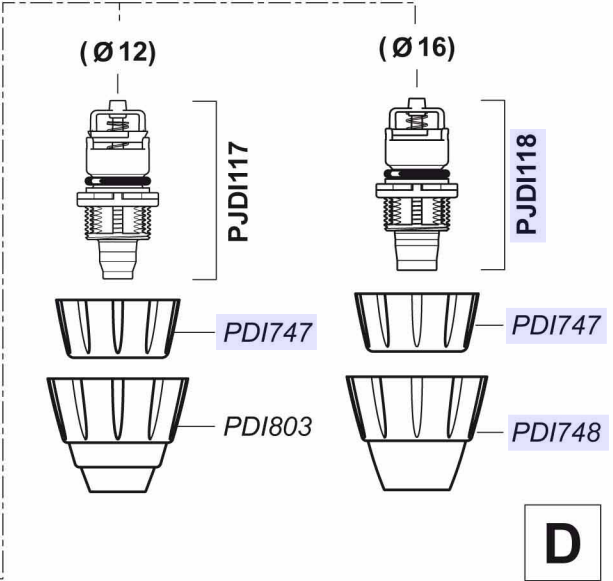
D14MZ5

14 GPM - 1:200 - 1:20
 3 m³/h - 0.5 - 5 %
 4.3 - 85 psi
 0.3 - 6 bar



CDDI075 (Ø 12)
 CDDI075V (Ø 16)

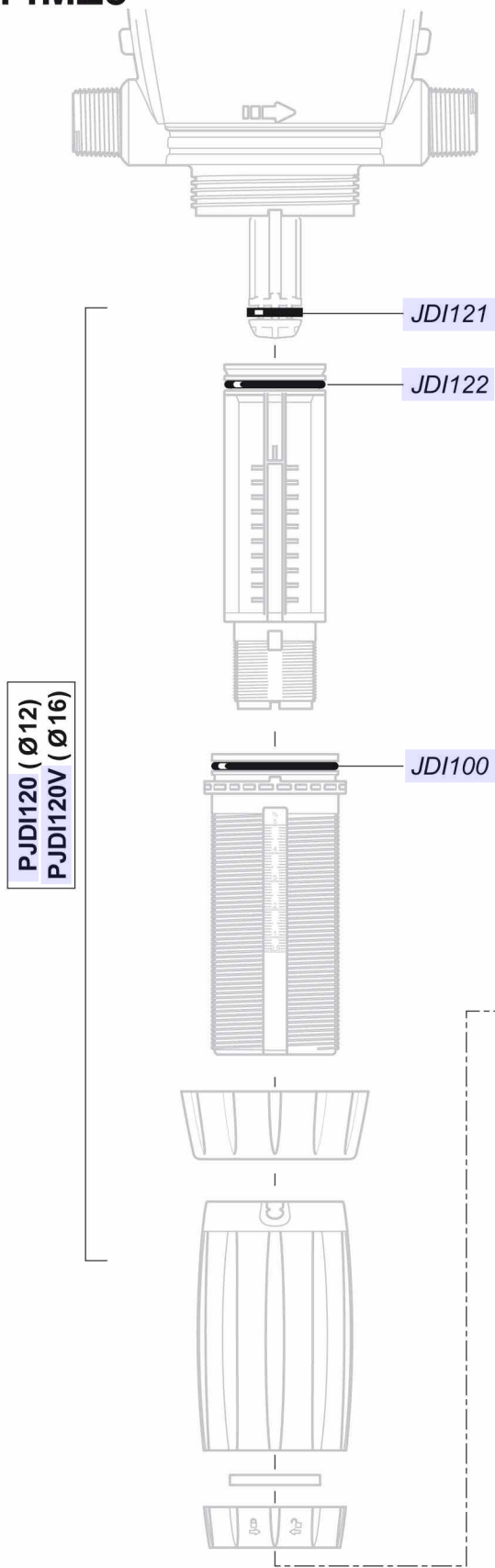
Option "V"



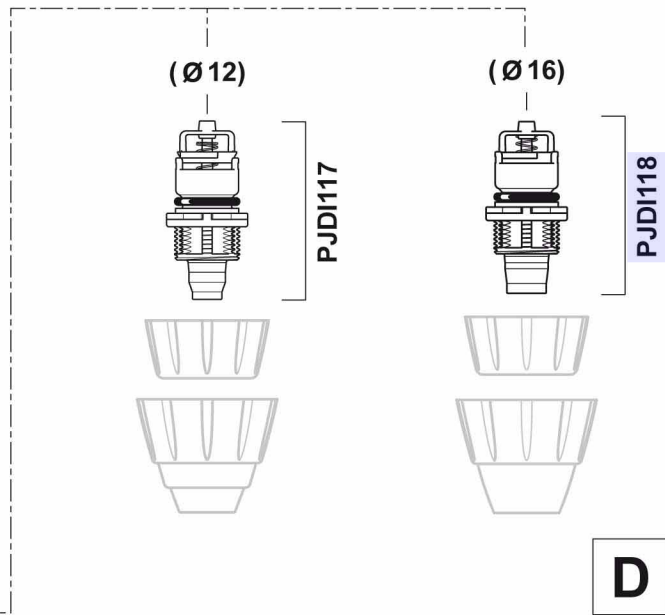
© DOSATRON INTERNATIONAL S.A.S. 2008
 D14MZ5/0608/D7

D14MZ5

14 GPM - 1:200 - 1:20
3 m³/h - 0.5 - 5 %
4.3 - 85 psi
0.3 - 6 bar



Option "V"



D14MZ5

14 GPM - 1:200 - 1:20
3 m³/h - 0.5 - 5 %
4.3 - 85 psi
0.3 - 6 bar

