



# DOSATRON®

WATER POWERED DOSING TECHNOLOGY



## D14MZ5 - 14 GPM INTERACTIVE SCHEMATICS

### UNIT SPECIFICATIONS

- 1:200 - 1:20
- 4.3 - 85 PSI
- 3/4" NPT Connection

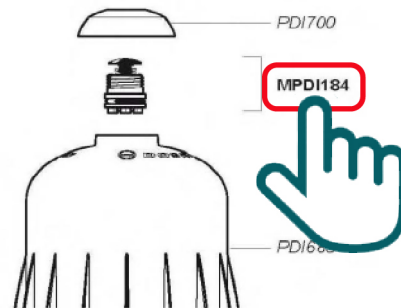
### SUGGESTED INSTALLATION

- 200 mesh/80 micron water filter prior to the unit
- One-way check valve down-stream from the unit for water hammer protection

### SUGGESTED MAINTENANCE

- Injection Seal Kit  
Part #: [PJDI120](#)  
For yearly maintenance
- Injection Seal Kit - for Viscous  
Part #: [PJDI120V](#)  
For yearly maintenance
- Rebuild Kit  
Part #: [MKD14MZ5](#)  
Extends the life of your unit
- Piston Flange Kit  
Part #: [PPDI034](#)

### DOCUMENT INSTRUCTIONS

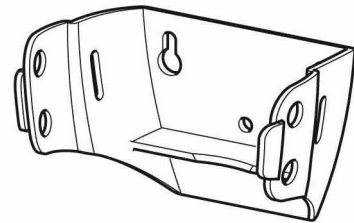
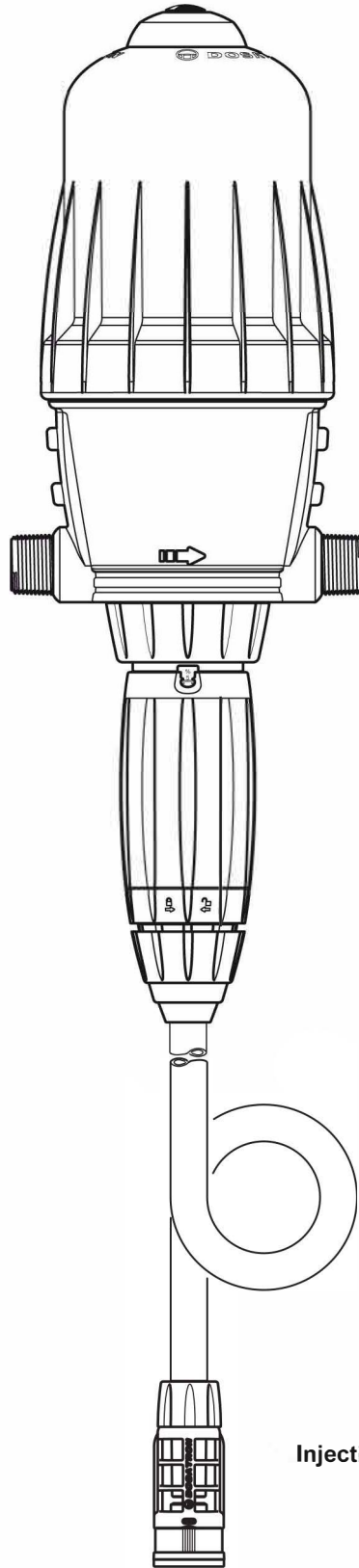


- Click on a part #, to visit item page
- Click arrow back from item page, to return to this document



# D14MZ5

14 GPM - 1:200 - 1:20  
3 m<sup>3</sup>/h - 0.5 - 5 %  
4.3 - 85 psi  
0.3 - 6 bar

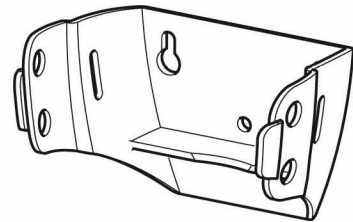
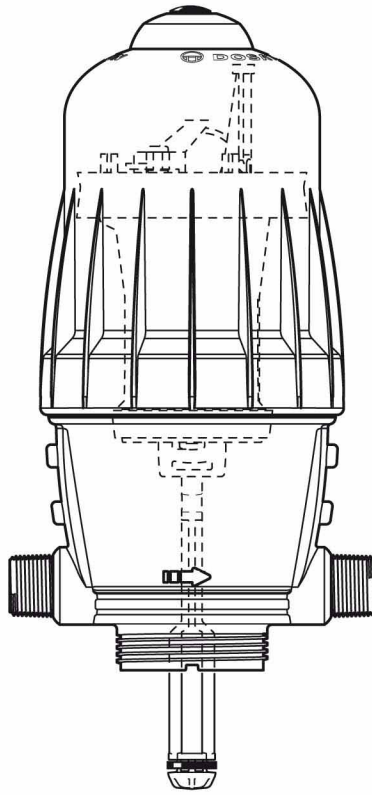


Injection Seal Kit Part # **PJDI120**  
Injection Seal Kit - Viscous Part # **PJDI120V**  
Rebuild Kit Part # **MKD14MZ5**

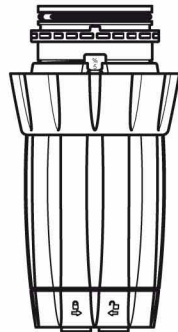
# D14MZ5

14 GPM - 1:200 - 1:20  
3 m<sup>3</sup>/h - 0.5 - 5 %  
4.3 - 85 psi  
0.3 - 6 bar

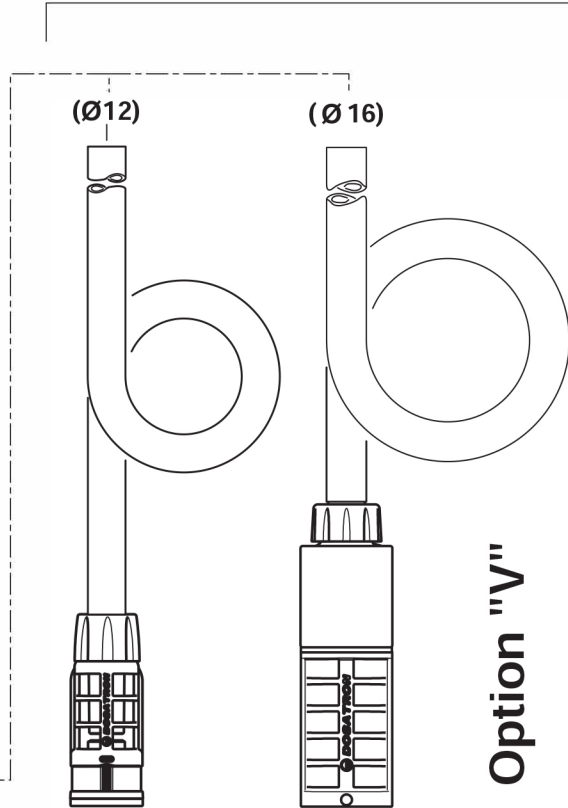
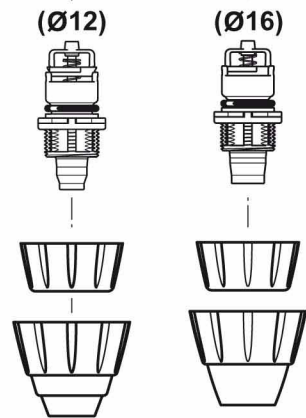
**C+M**



**A**

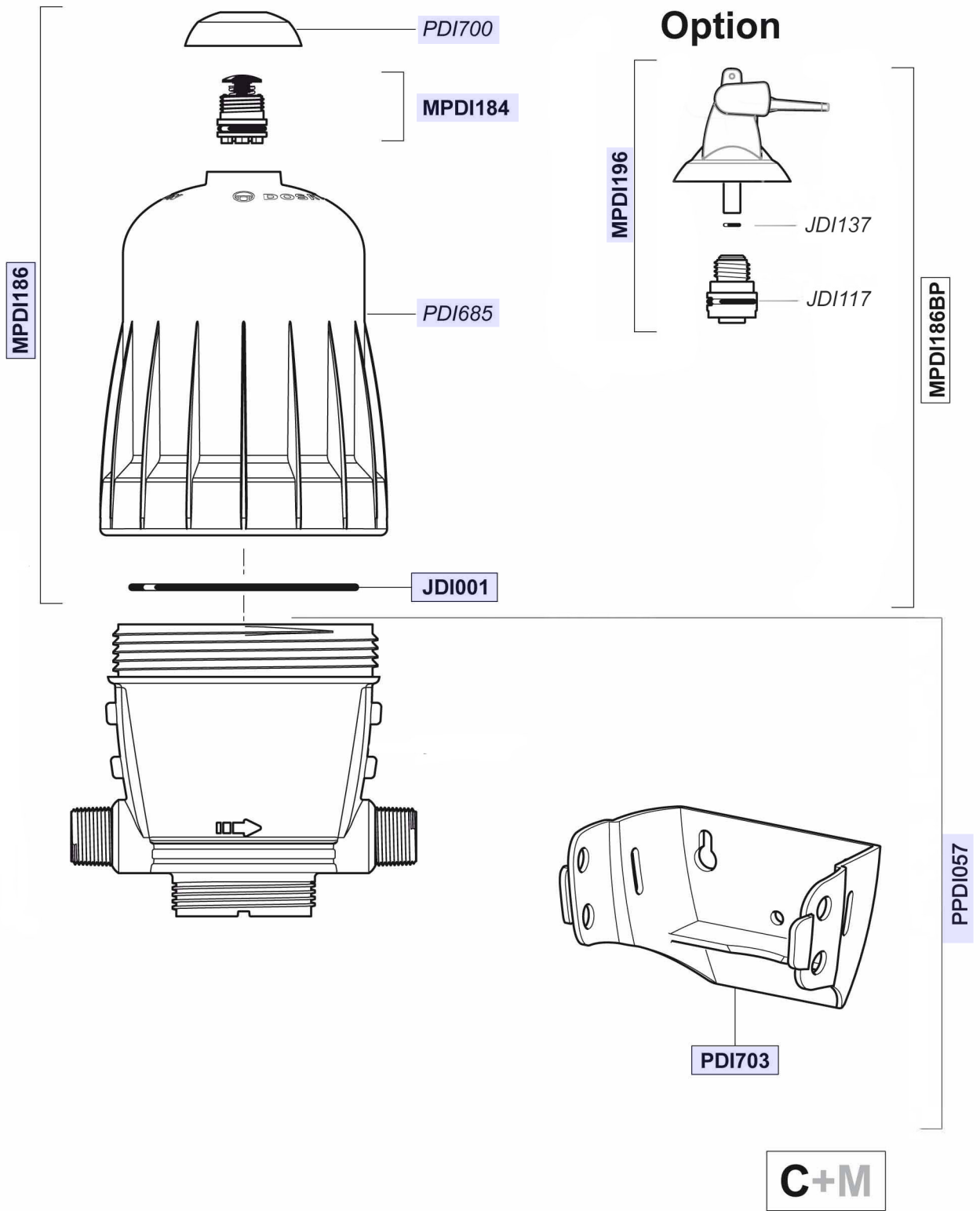


**D**



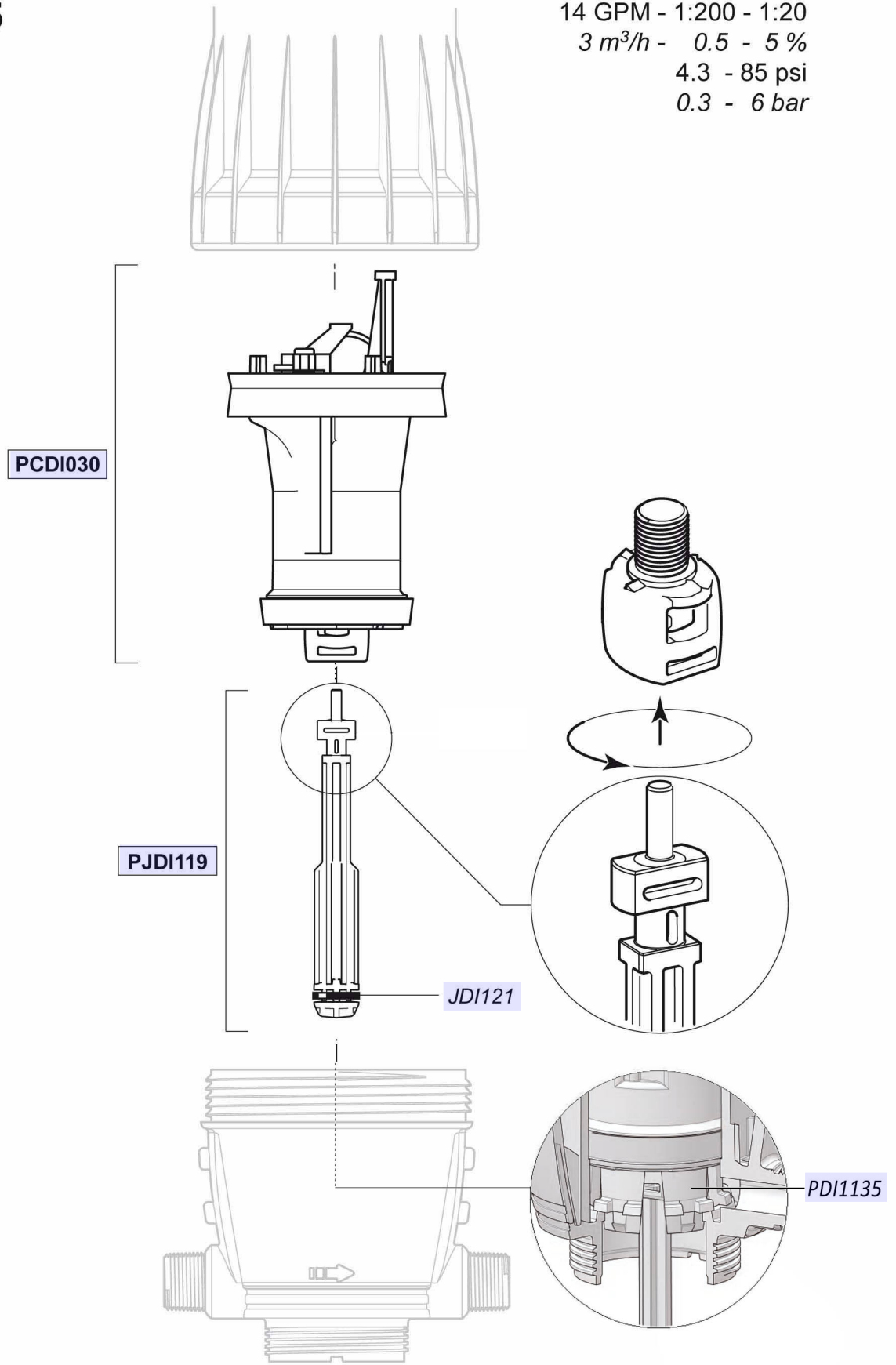
# D14MZ5

14 GPM - 1:200 - 1:20  
3 m<sup>3</sup>/h - 0.5 - 5 %  
4.3 - 85 psi  
0.3 - 6 bar



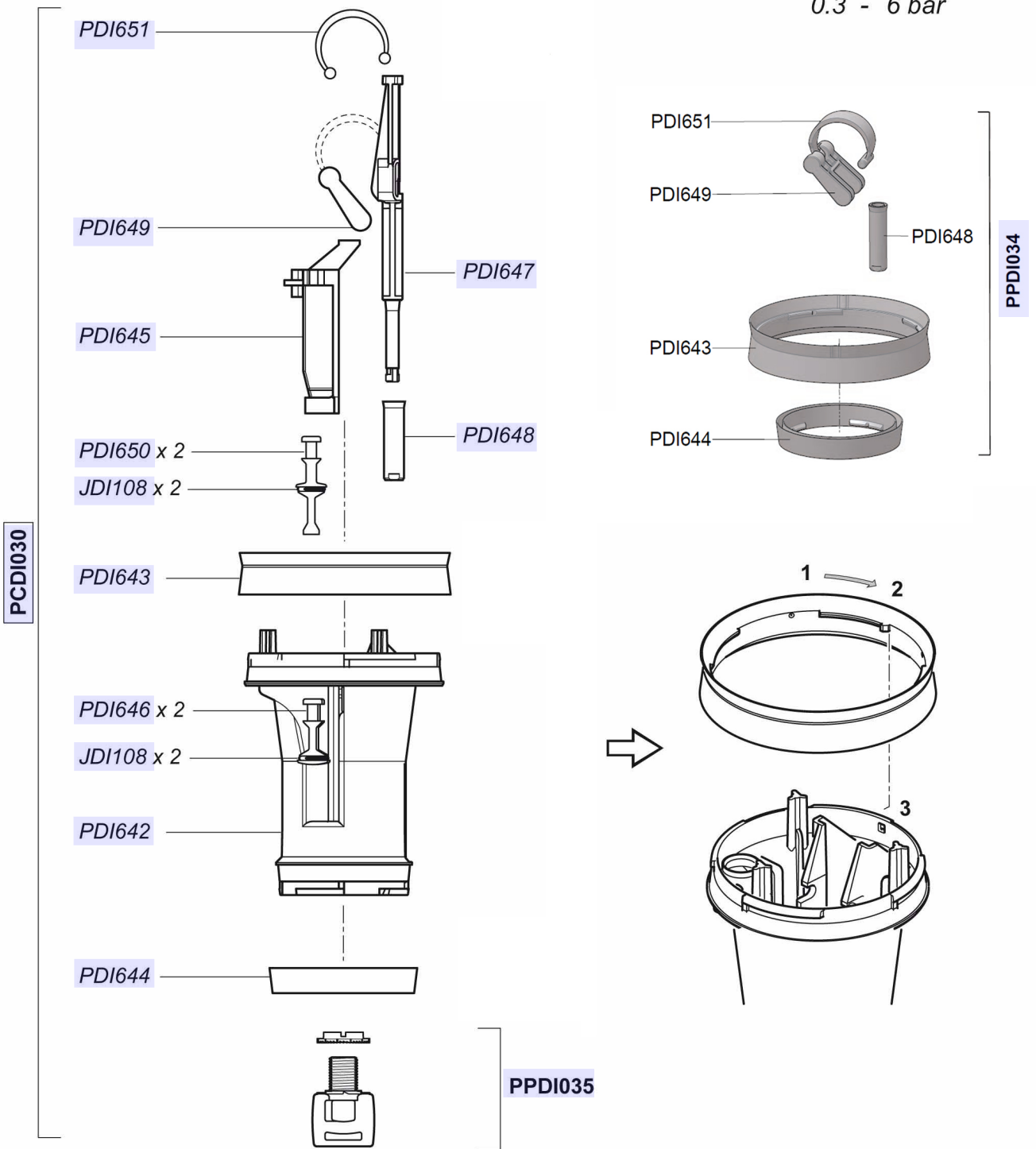
# D14MZ5

14 GPM - 1:200 - 1:20  
3 m<sup>3</sup>/h - 0.5 - 5 %  
4.3 - 85 psi  
0.3 - 6 bar



# D14MZ5

14 GPM - 1:200 - 1:20  
 3 m<sup>3</sup>/h - 0.5 - 5 %  
 4.3 - 85 psi  
 0.3 - 6 bar

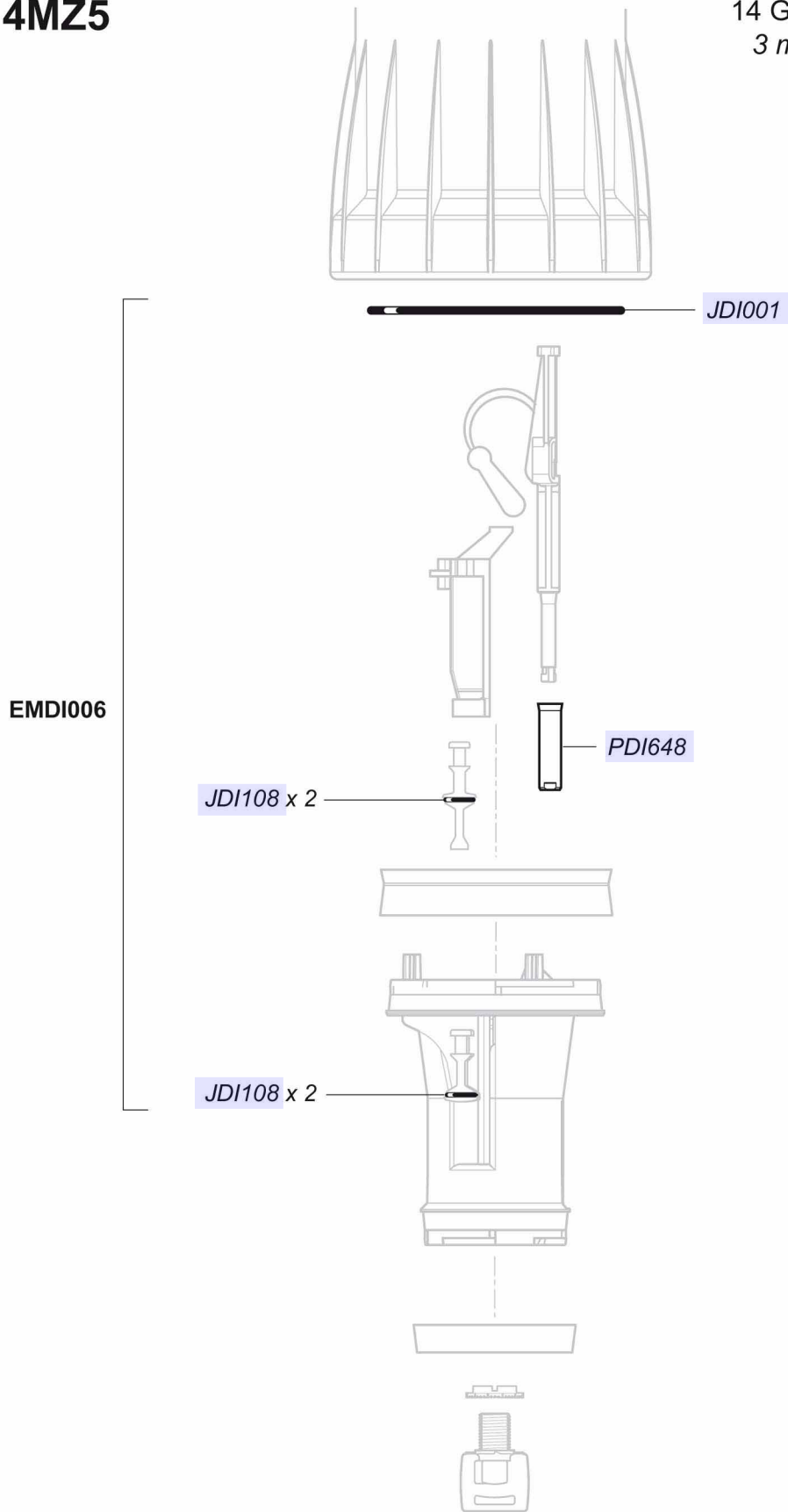


© DOSATRON INTERNATIONAL S.A.S. 2008  
 D14MZ5/0608/05



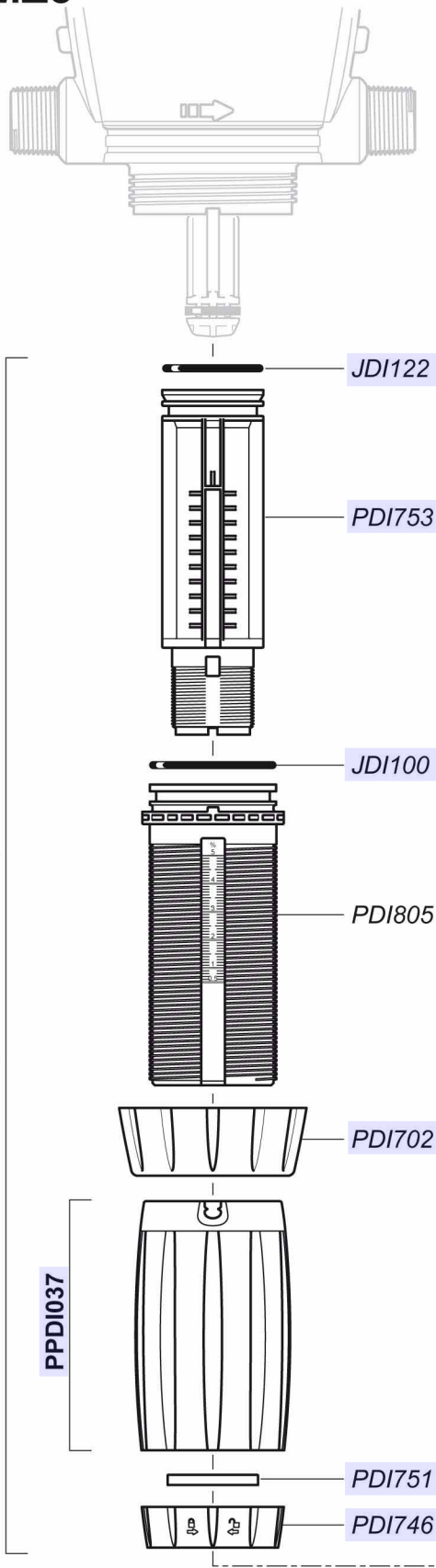
# D14MZ5

14 GPM - 1:200 - 1:20  
3 m<sup>3</sup>/h - 0.5 - 5 %  
4.3 - 85 psi  
0.3 - 6 bar



# D14MZ5

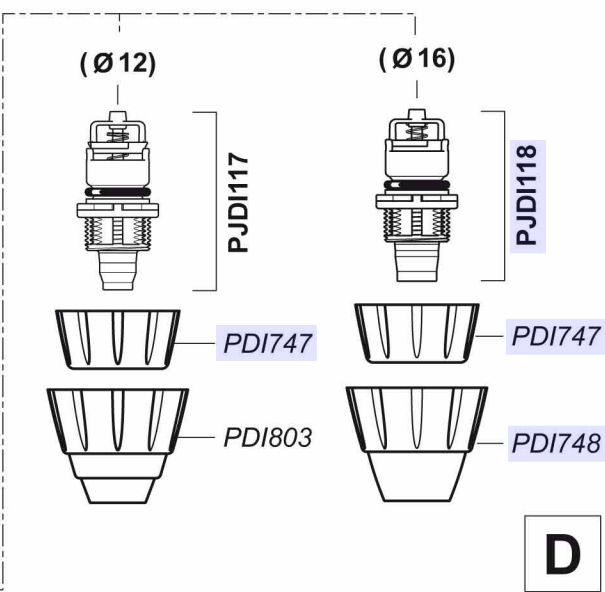
14 GPM - 1:200 - 1:20  
 3 m<sup>3</sup>/h - 0.5 - 5 %  
 4.3 - 85 psi  
 0.3 - 6 bar



CDDI075 (Ø 12)  
 CDDI075V (Ø 16)

© DOSATRON INTERNATIONAL S.A.S. 2008  
 D14MZ5/0608/D7

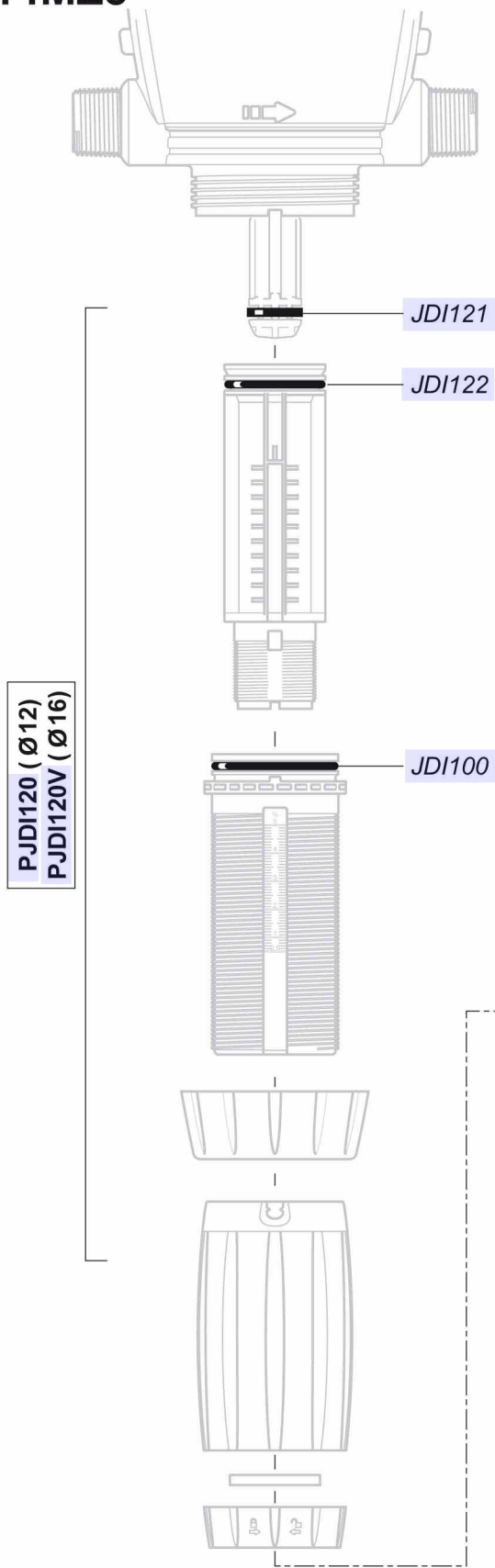
## Option "V"



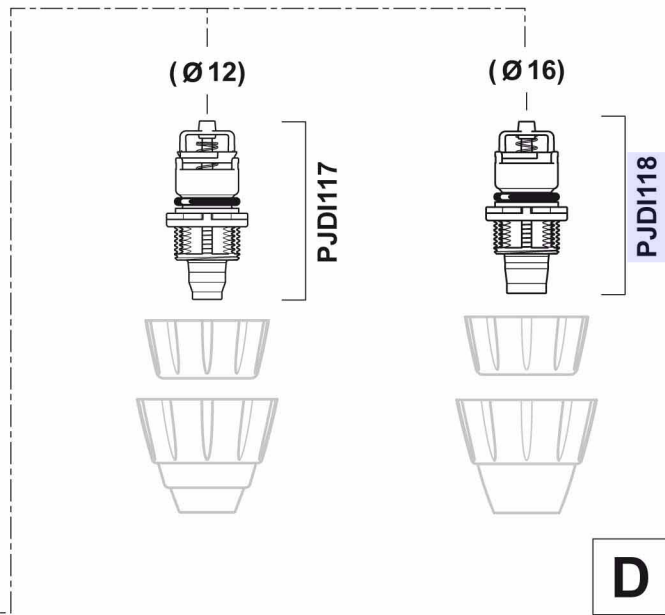


# D14MZ5

14 GPM - 1:200 - 1:20  
3 m<sup>3</sup>/h - 0.5 - 5 %  
4.3 - 85 psi  
0.3 - 6 bar



## Option "V"



# D14MZ5

14 GPM - 1:200 - 1:20  
3 m<sup>3</sup>/h - 0.5 - 5 %  
4.3 - 85 psi  
0.3 - 6 bar

