



# DOSATRON®

WATER POWERED DOSING TECHNOLOGY



## D14MZ520 - 9 GPM SERIAL # 18113022 AND UP INTERACTIVE SCHEMATICS

### UNIT SPECIFICATIONS

- 1:20 - 1:5
- 7 - 57 PSI
- 3/4" NPT Connection

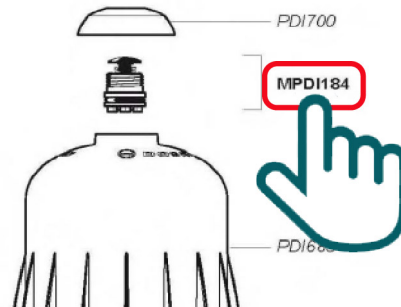
### SUGGESTED INSTALLATION

- 200 mesh/80 micron water filter prior to the unit
- One-way check valve down-stream from the unit for water hammer protection

### SUGGESTED MAINTENANCE

- Injection Seal Kit  
Part #: [PJDI199](#)  
For yearly maintenance

### DOCUMENT INSTRUCTIONS



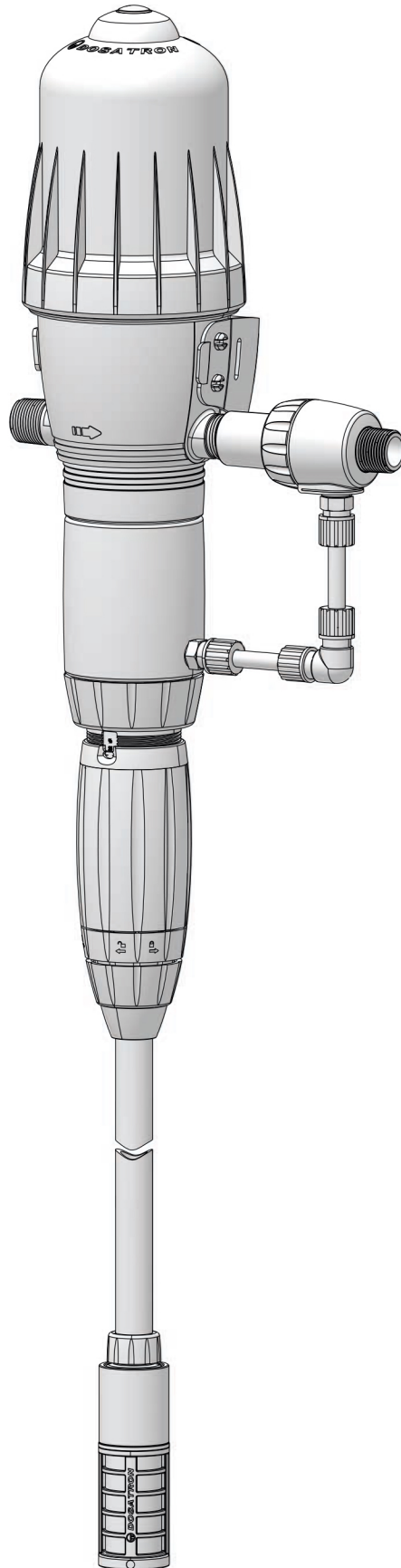
- Click on a part #, to visit item page
- Click arrow back from item page, to return to this document



# D14MZ520

For serial #s 18113022 and up

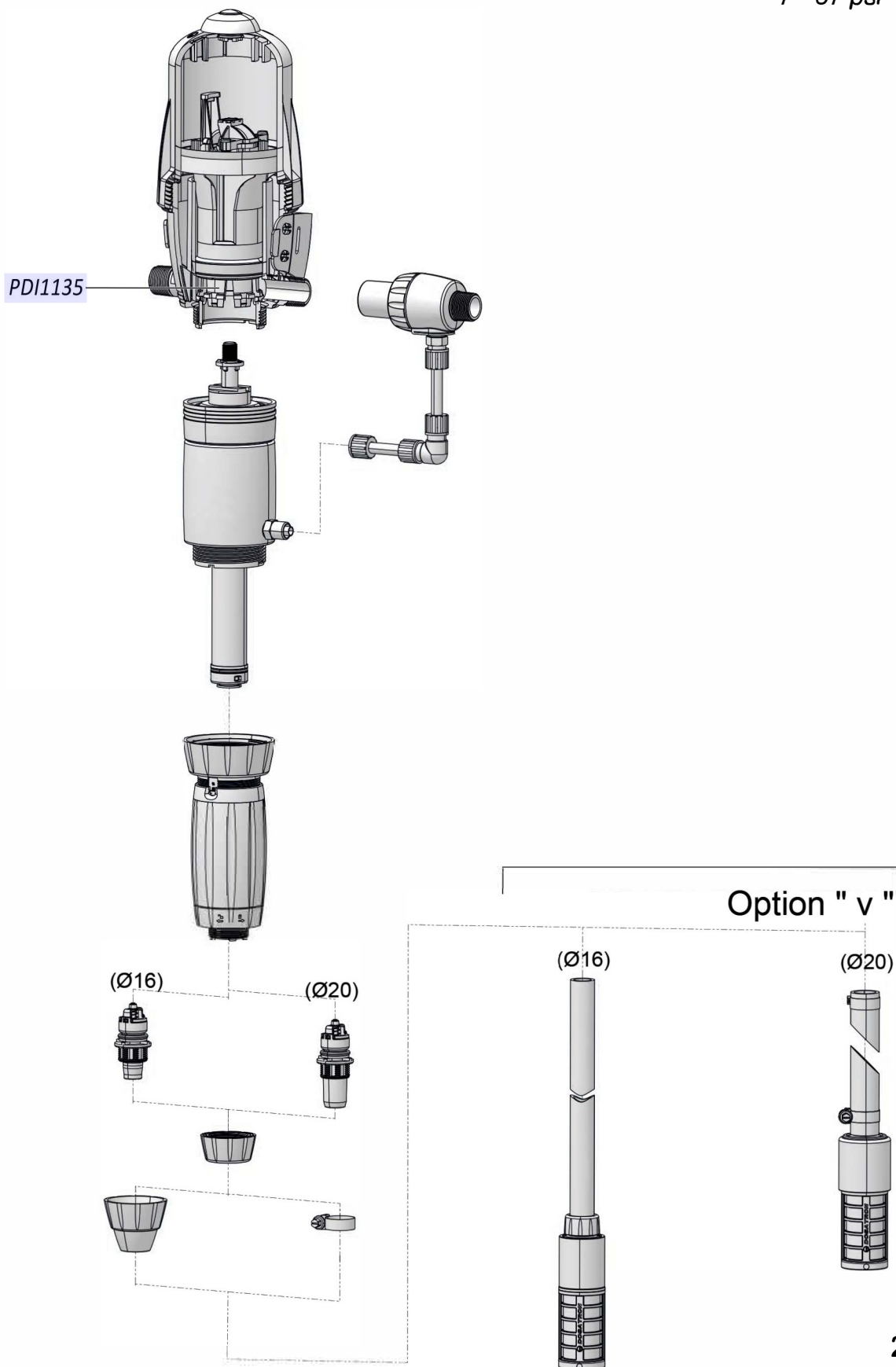
2 m<sup>3</sup>/h - 5 - 20%  
9 GPM - 1:20 - 1:4  
0.5 - 4 bar  
7 - 57 psi



# D14MZ520

For serial #s 18113022 and up

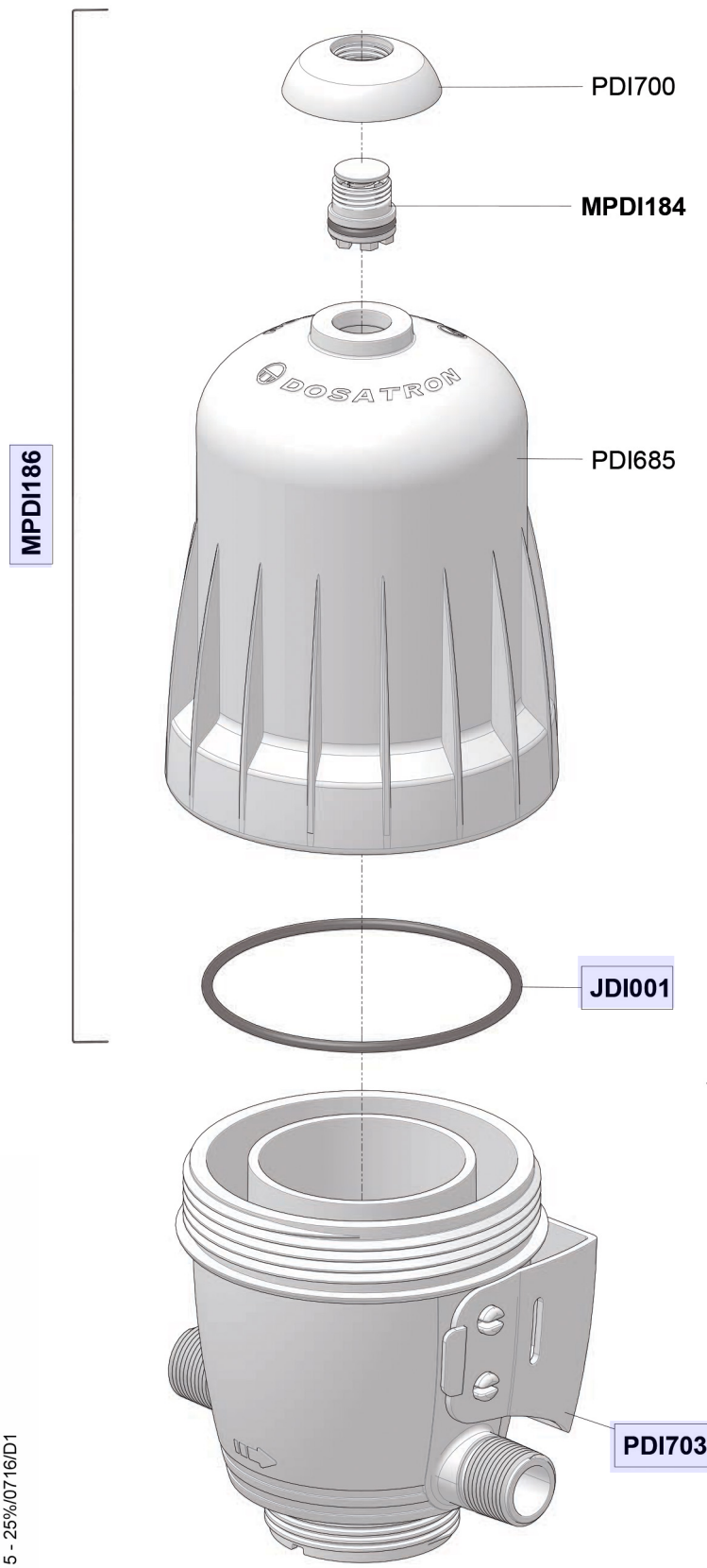
2 m<sup>3</sup>/h - 5 - 20%  
9 GPM - 1:20 - 1:4  
0.5 - 4 bar  
7 - 57 psi



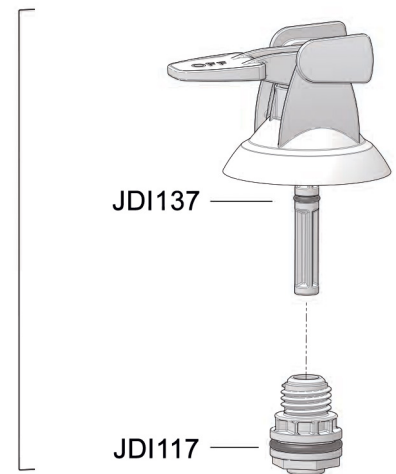
# D14MZ520

For serial #s 18113022 and up

2 m<sup>3</sup>/h - 5 - 20%  
9 GPM - 1:20 - 1:4  
0.5 - 4 bar  
7 - 57 psi



## OPTION

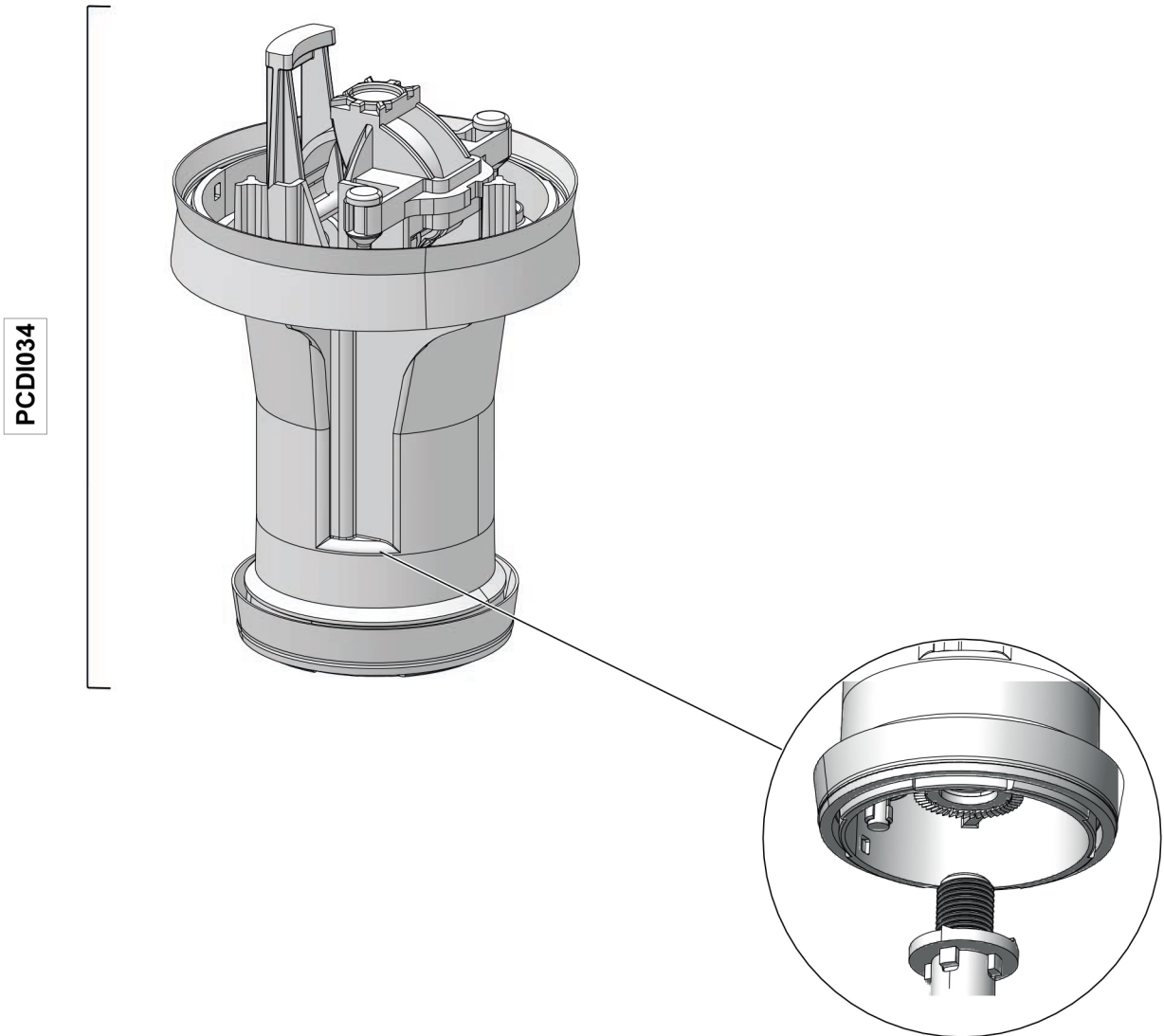




# D14MZ520

For serial #s 18113022 and up

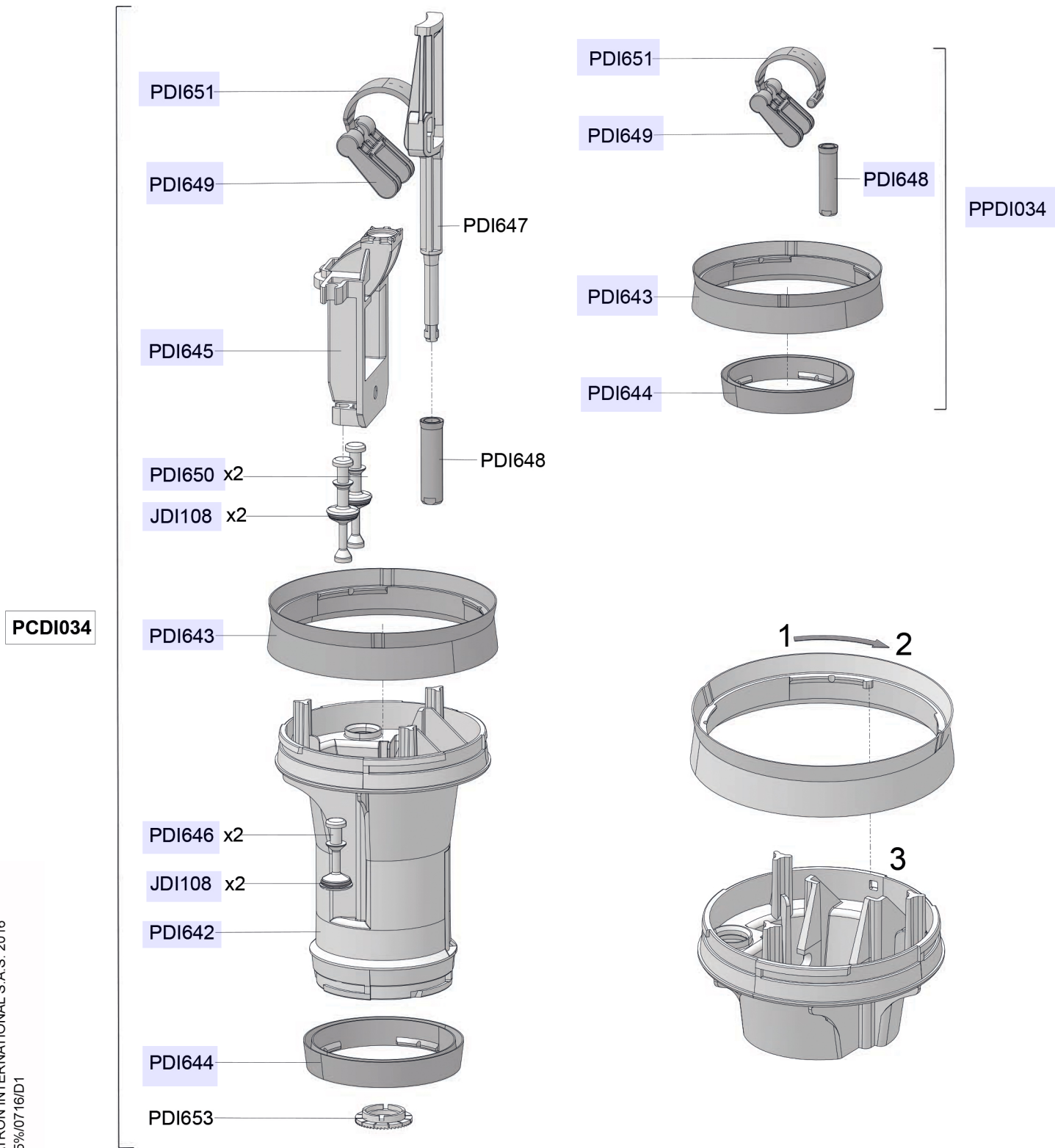
2 m<sup>3</sup>/h - 5 - 20%  
9 GPM - 1:20 - 1:4  
0.5 - 4 bar  
7 - 57 psi



# D14MZ520

For serial #s 18113022 and up

2 m<sup>3</sup>/h - 5 - 20%  
9 GPM - 1:20 - 1:4  
0.5 - 4 bar  
7 - 57 psi

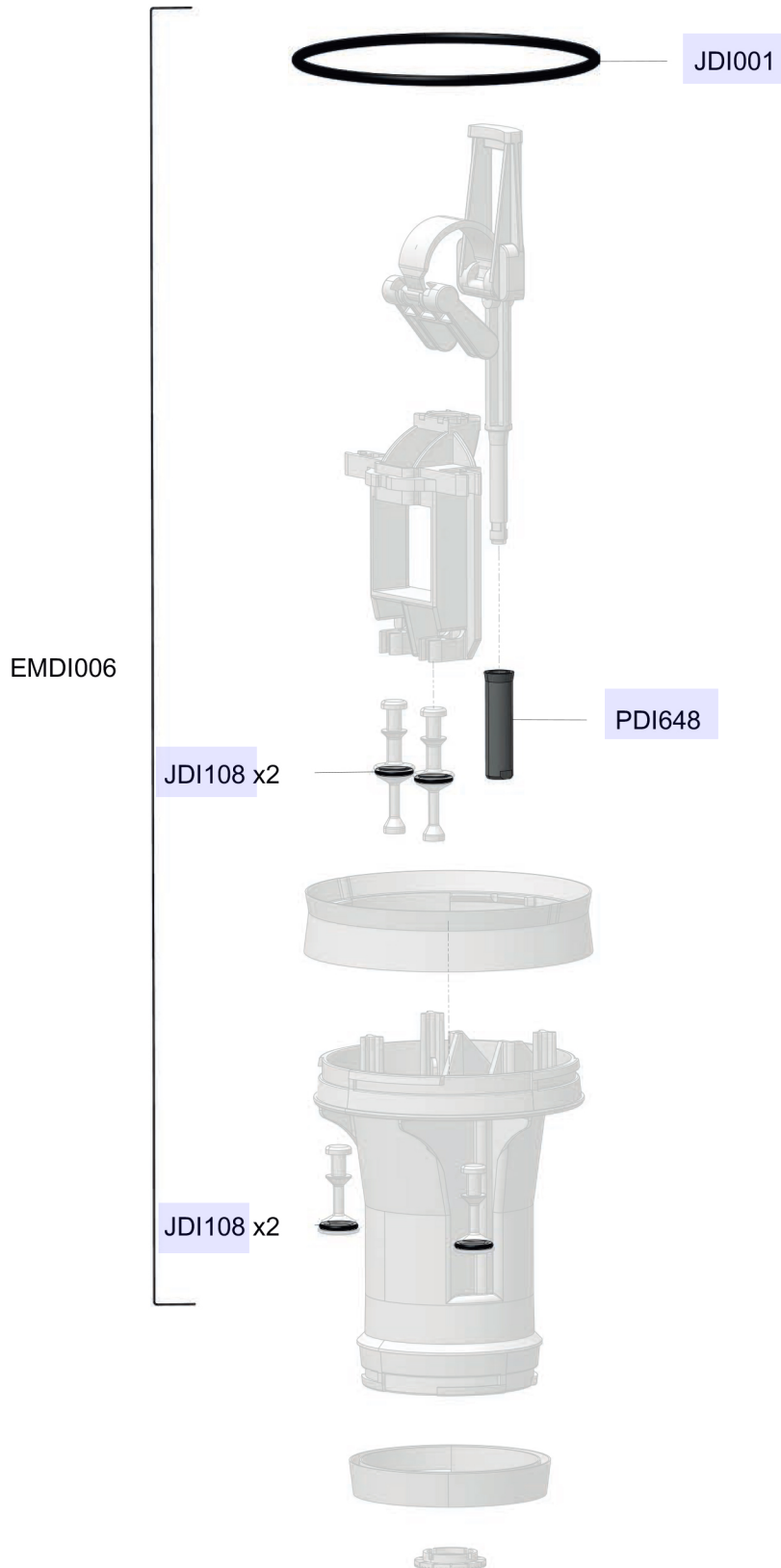


© DOSATRON INTERNATIONAL S.A.S. 2016  
D3 5 - 25%/07/16/D1

# D14MZ520

For serial #s 18113022 and up

2 m<sup>3</sup>/h - 5 - 20%  
9 GPM - 1:20 - 1:4  
0.5 - 4 bar  
7 - 57 psi



# D14MZ520

For serial #s  
18113022 and up

Plunger Assembly  
for units with serial  
number 18113022  
and up

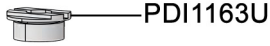
PJD1198



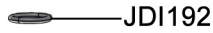
PDI841



PDI1162U



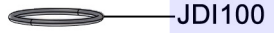
PDI1163U



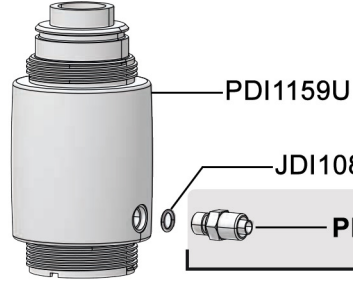
JDI192



PDI1164U



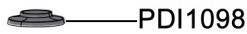
JDI100



PDI1159U

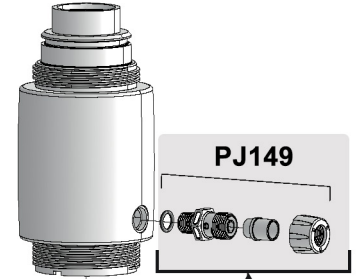
JDI108

PDI760



PDI1098

2 m<sup>3</sup>/h - 5 - 20%  
9 GPM - 1:20 - 1:4  
0.5 - 4 bar  
7 - 57 psi

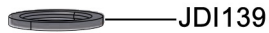


PJ149

REPLACED BY



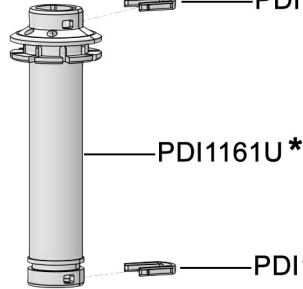
PDI1160U\*



JDI139

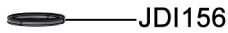


PDI1099

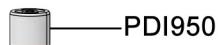


PDI1161U\*

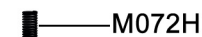
PDI1099



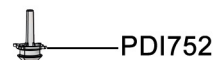
JDI156



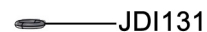
PDI950



M072H



PDI752



JDI131



JDI015



PDI1097

\*Not compatible  
with units serial  
numbers below  
18113022

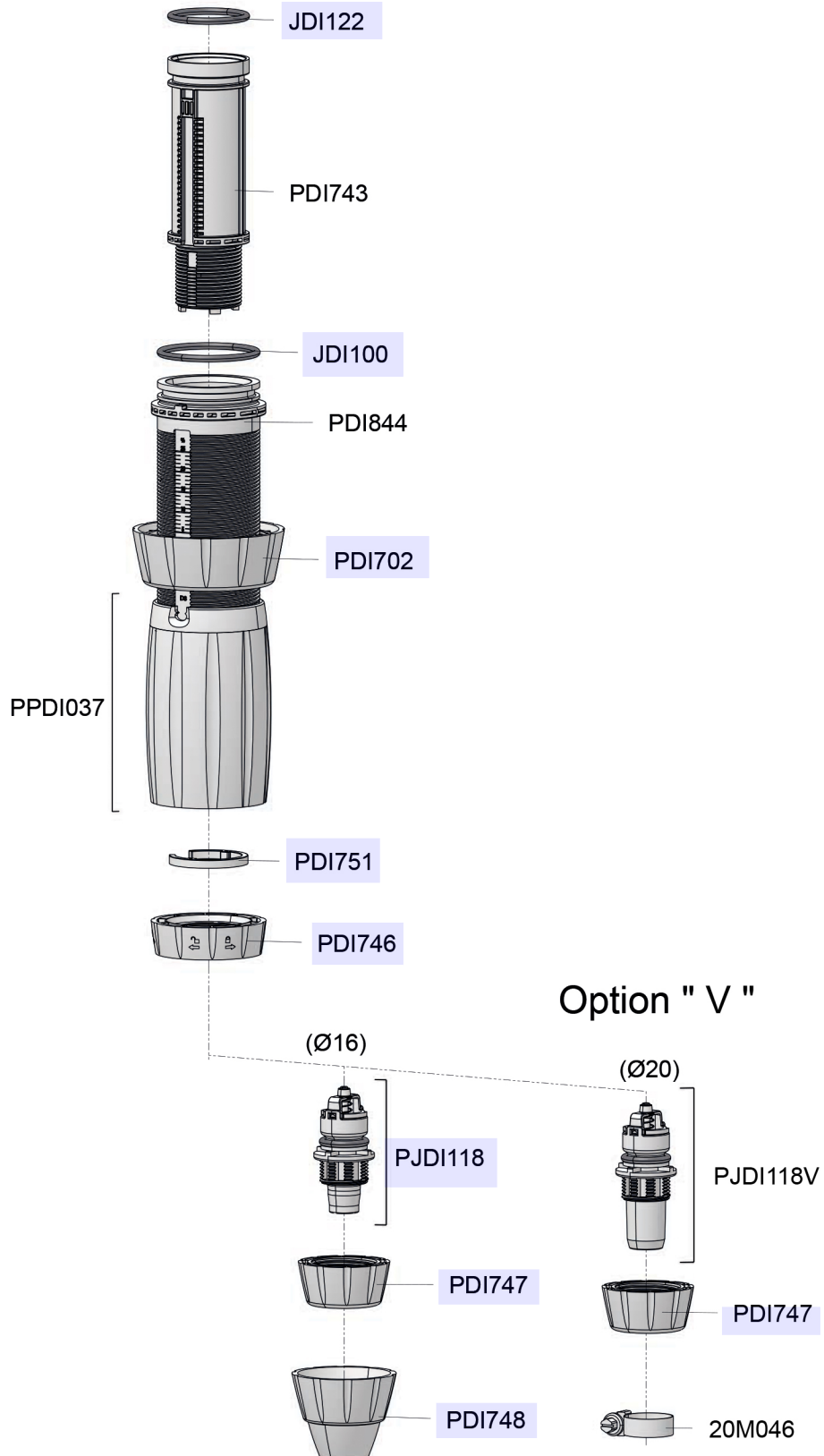
# D14MZ520

For serial #s 18113022 and up

2 m<sup>3</sup>/h - 5 - 20%  
9 GPM - 1:20 - 1:4  
0.5 - 4 bar  
7 - 57 psi

## Injection Stem Assembly

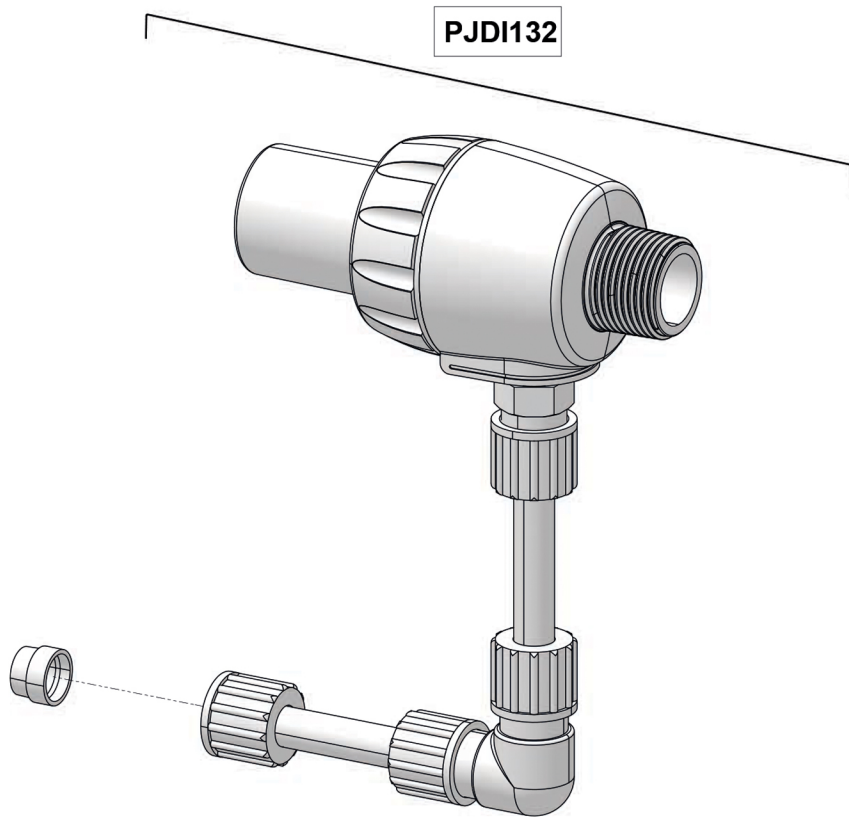
CDDI078 (Ø16)  
CDDI078V (Ø20)



# D14MZ520

For serial #s 18113022 and up

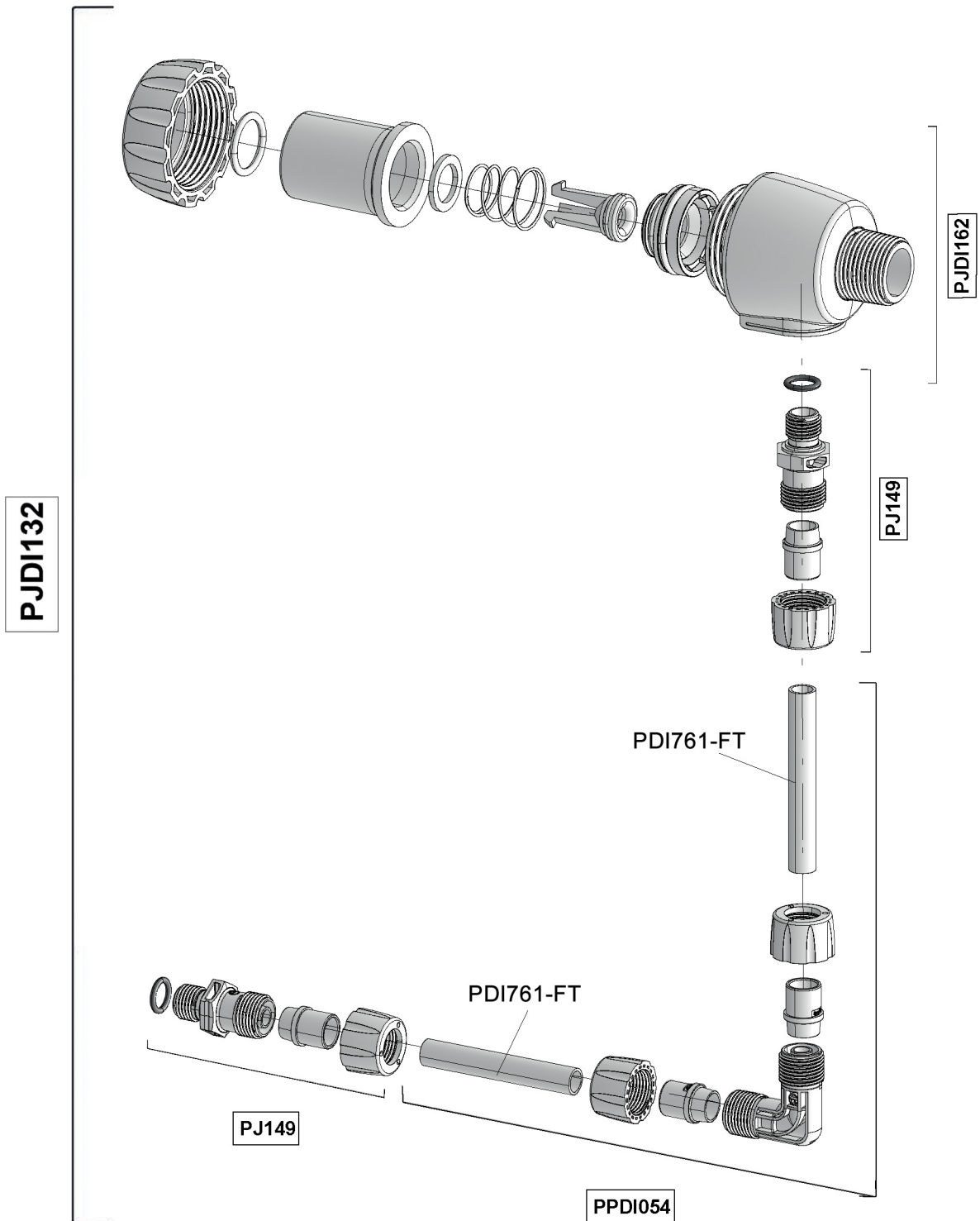
2 m<sup>3</sup>/h - 5 - 20%  
9 GPM - 1:20 - 1:4  
0.5 - 4 bar  
7 - 57 psi



# D14MZ520

For serial #s 18113022 and up

2 m<sup>3</sup>/h - 5 - 20%  
9 GPM - 1:20 - 1:4  
0.5 - 4 bar  
7 - 57 psi



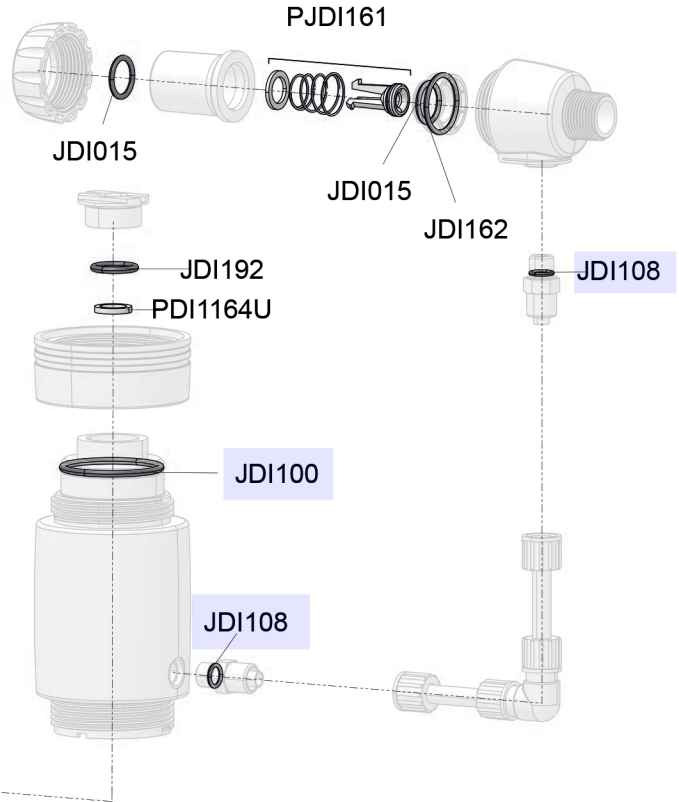
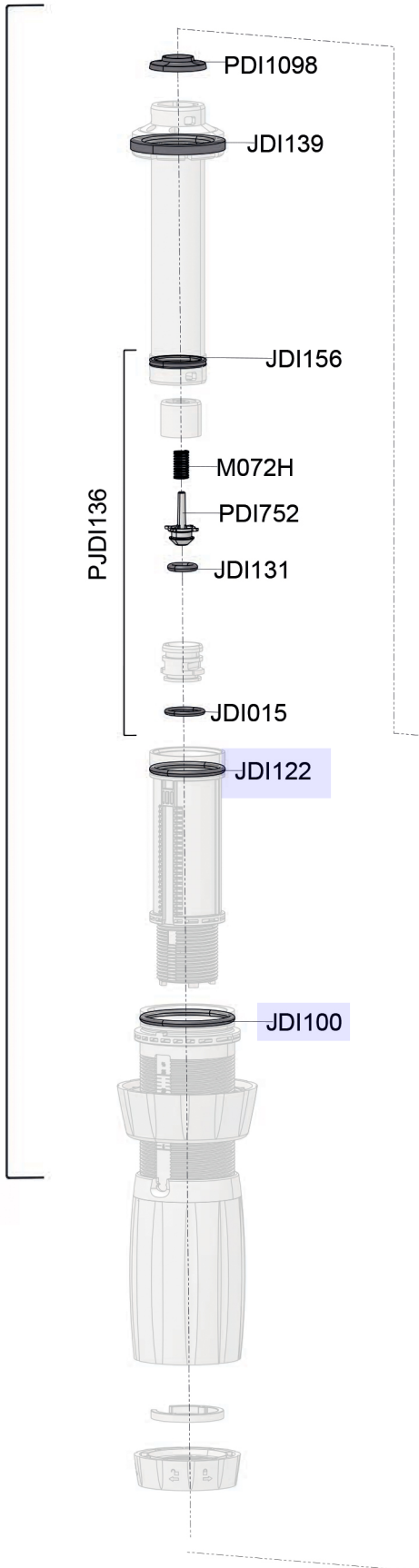


# D14MZ520

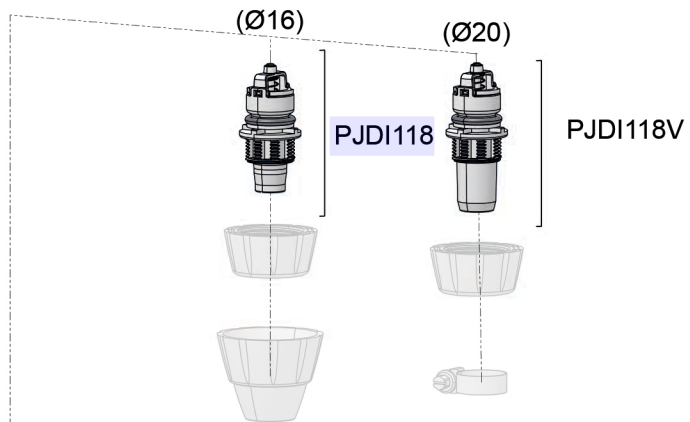
For serial #s 18113022 and up

2 m<sup>3</sup>/h - 5 - 20%  
 9 GPM - 1:20 - 1:4  
 0.5 - 4 bar  
 7 - 57 psi

PJDI199(Ø16)  
 PJDI199V(Ø20)



## Option " V "



© DOSATRON INTERNATIONAL S.A.S. 2016  
 D3 5 - 25%/0716/D1

**!** **NEW Style Seal Kit for units with serial #s 16290363 and up**

# D14MZ520

For serial #s 18113022 and up

2 m<sup>3</sup>/h - 5 - 20%  
9 GPM - 1:20 - 1:4  
0.5 - 4 bar  
7 - 57 psi

