



DOSATRON®

WATER POWERED DOSING TECHNOLOGY



D132MZ5000 - 132 GPM INTERACTIVE SCHEMATICS

UNIT SPECIFICATIONS

- 1:5000 - 1:500
- 7 - 87 PSI
- 3" NPT Connection

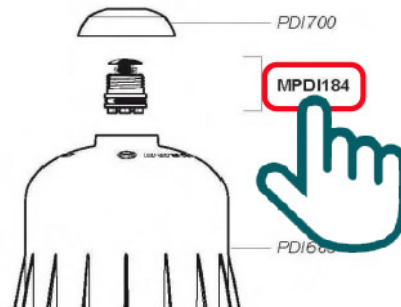
SUGGESTED INSTALLATION

- 200 mesh/80 micron water filter prior to the unit
- One-way check valve down-stream from the unit for water hammer protection

SUGGESTED MAINTENANCE

- Mini-Maintenance Kit
Part #: [PJDI116MINI-H](#)
For regular maintenance
- Injection Seal Kit
Part #: [PJDI116](#)
For yearly maintenance
- Rebuild Kit
Part #: [MKD14MZ2](#)
Extends the life of your unit

DOCUMENT INSTRUCTIONS

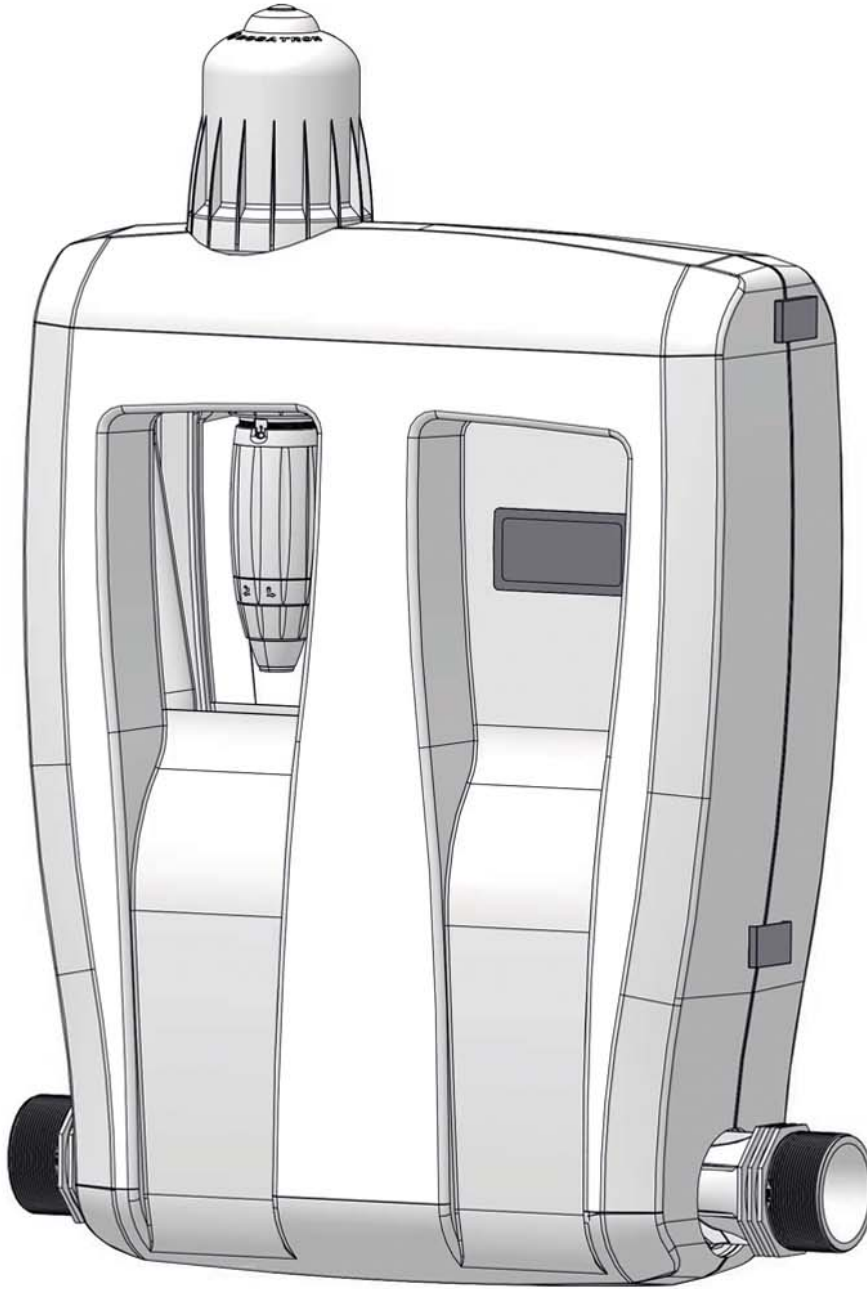


- Click on a part #, to visit item page
- Click arrow back from item page, to return to this document



132MZ5000

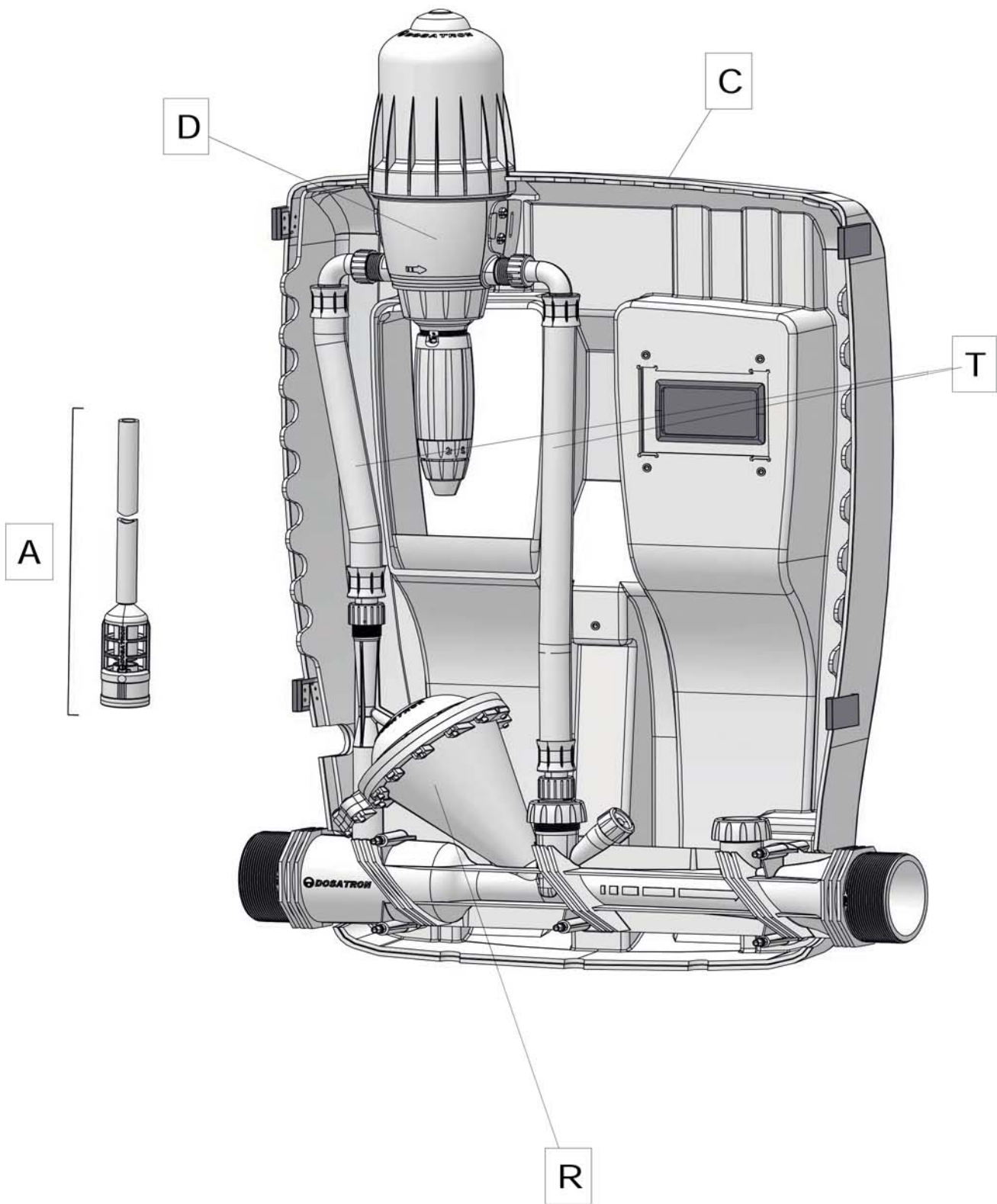
132 GPM - 1:5000 - 1:500
0.02% - 0.2%
7 - 87 PSI
0.5 - 6 bar



Injection Seal Kit Part # PJD116
Mini Maintenance Kit Part # PJD116MINI-H
Rebuild Kit Part # MKD14MZ2

D132MZ5000

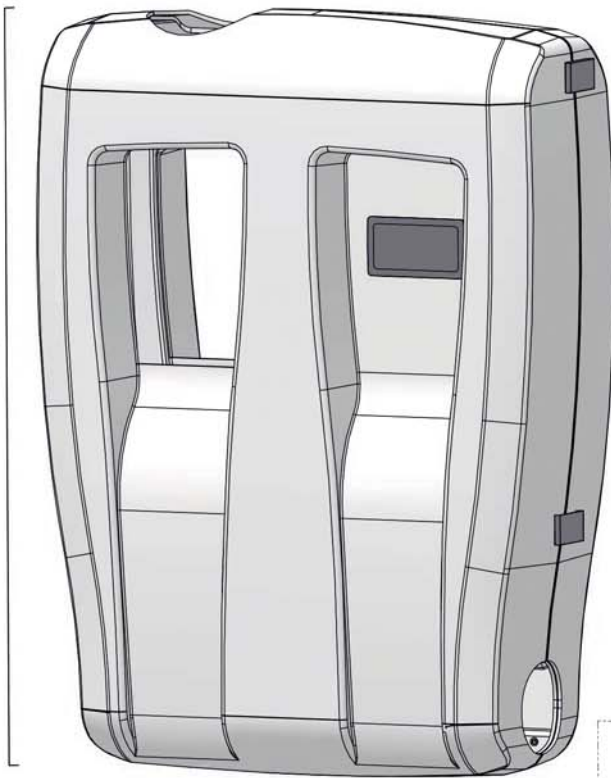
132 GPM - 1:5000 - 1:500
0.02% - 0.2%
7 - 87 PSI
0.5 - 6 bar



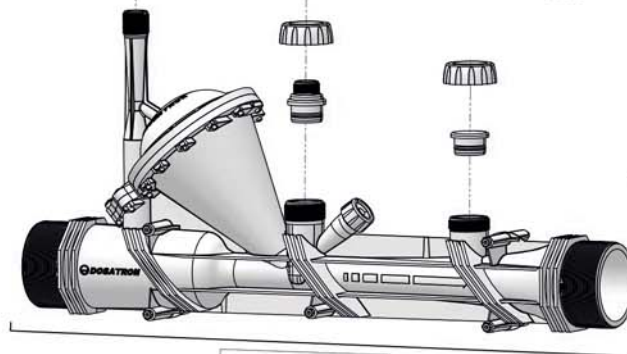
D132MZ5000

132 GPM - 1:5000 - 1:500
0.02% - 0.2%
7 - 87 PSI
0.5 - 6 bar

PJDI176



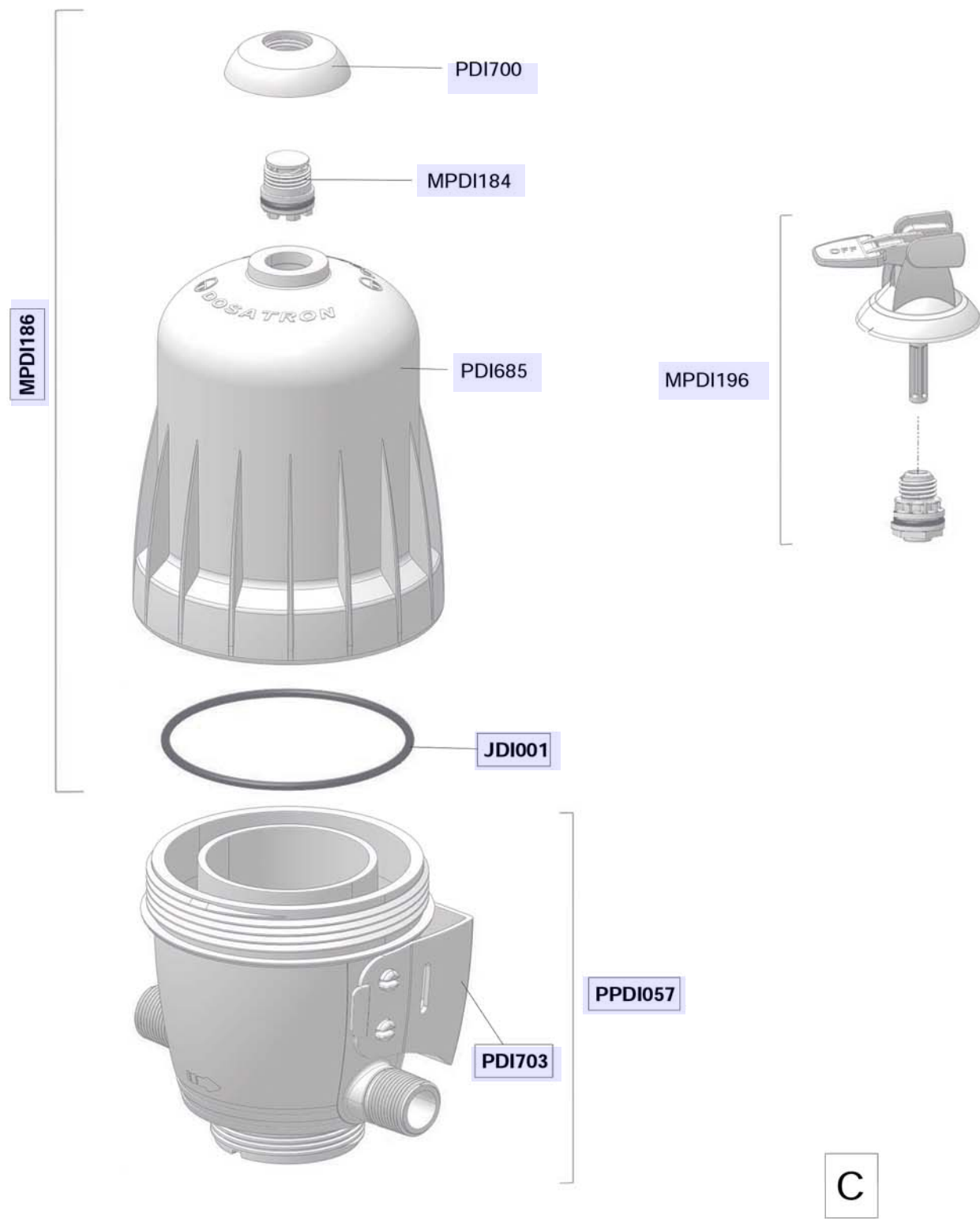
PJDI182



PJDI177NPT

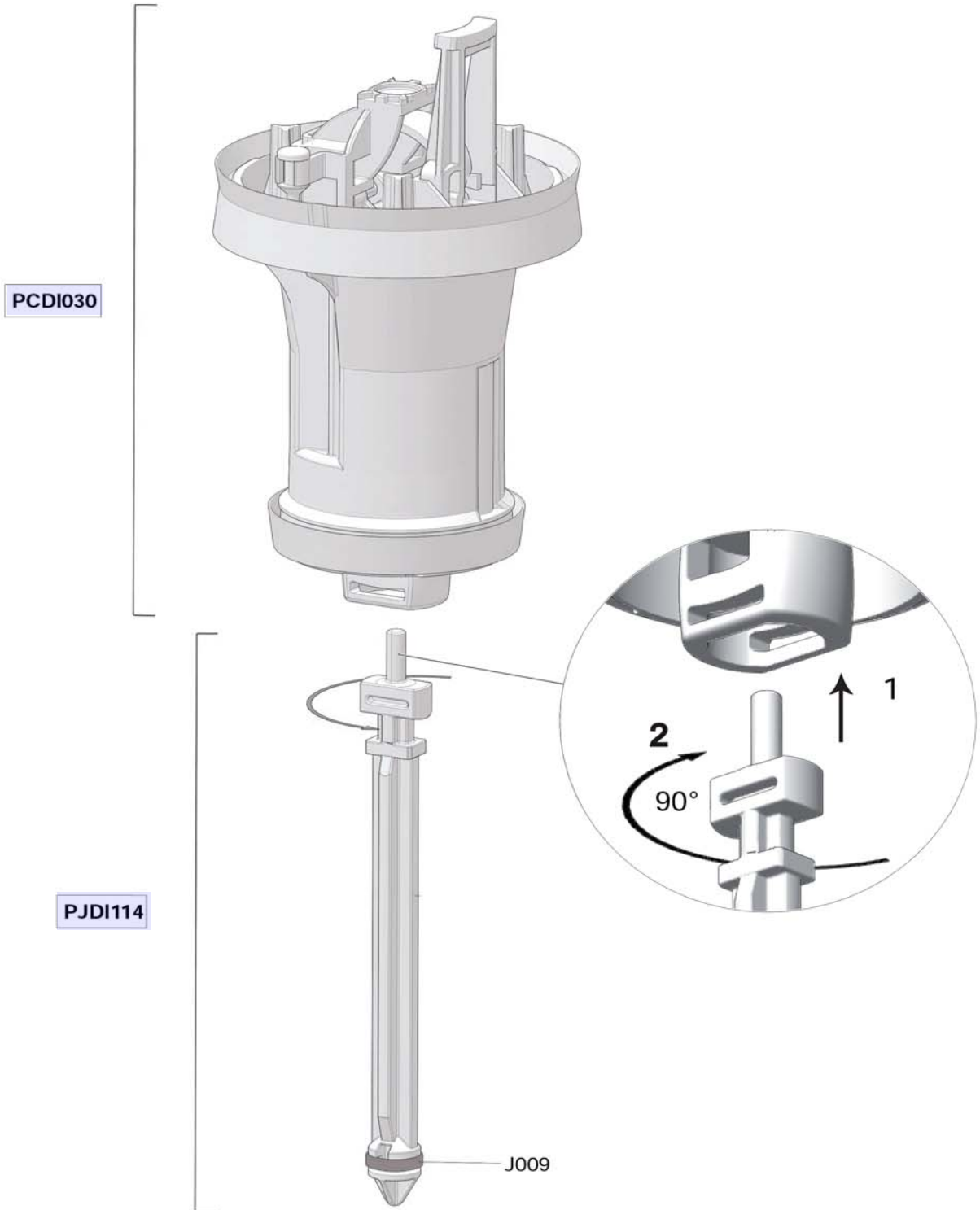
D132MZ5000

132 GPM - 1:5000 - 1:500
0.02% - 0.2%
7 - 87 PSI
0.5 - 6 bar



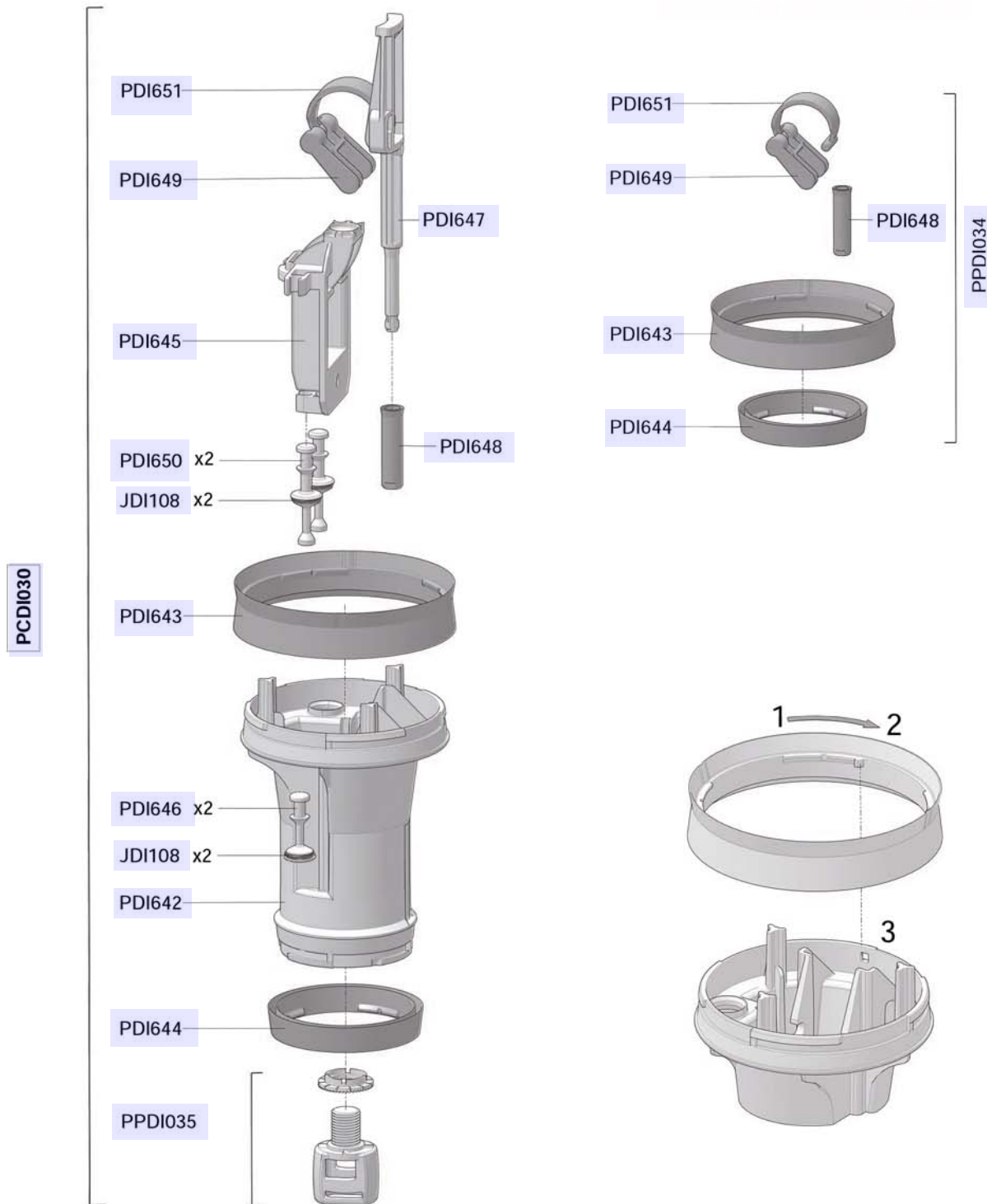
D132MZ5000

132 GPM - 1:5000 - 1:500
0.02% - 0.2%
7 - 87 PSI
0.5 - 6 bar



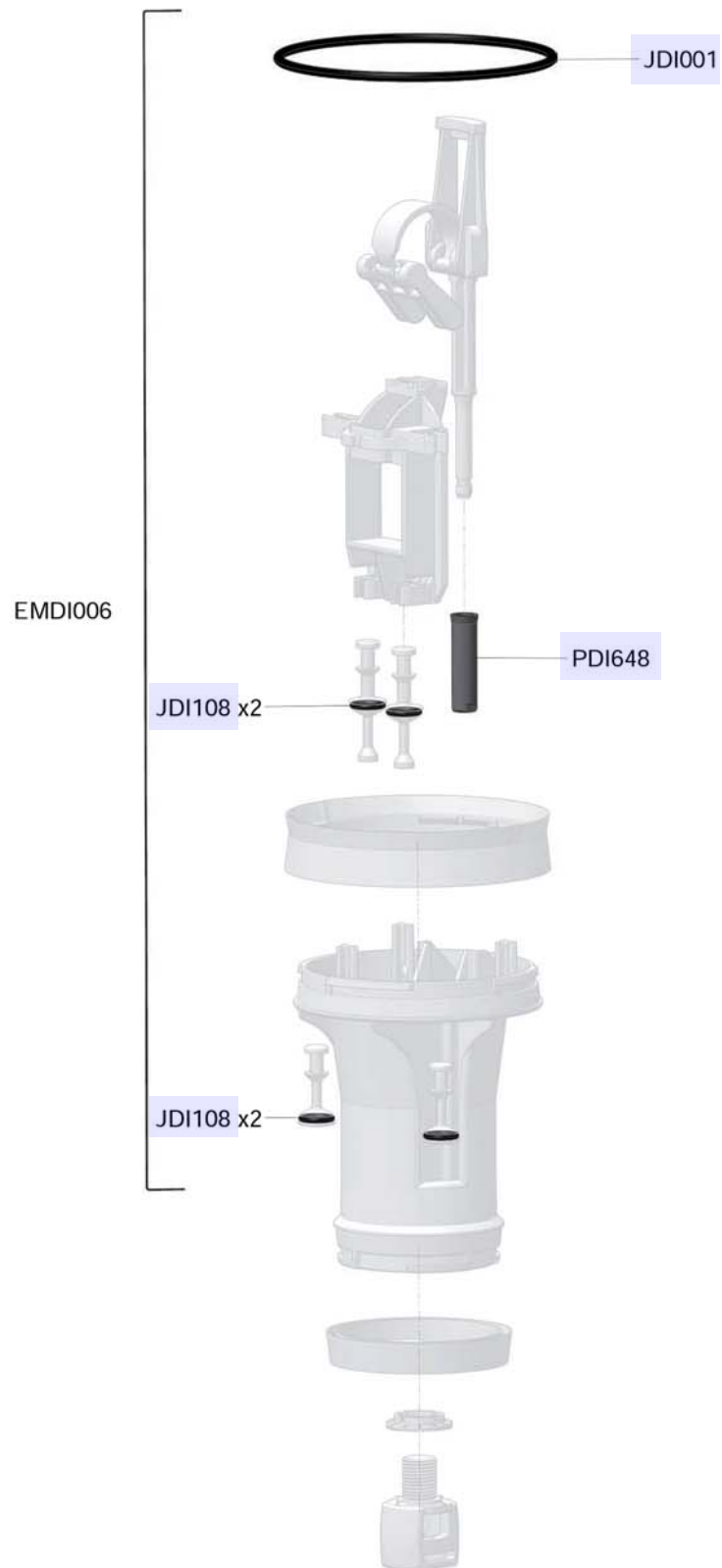
D132MZ5000

132 GPM - 1:5000 - 1:500
0.02% - 0.2%
7 - 87 PSI
0.5 - 6 bar



D132MZ5000

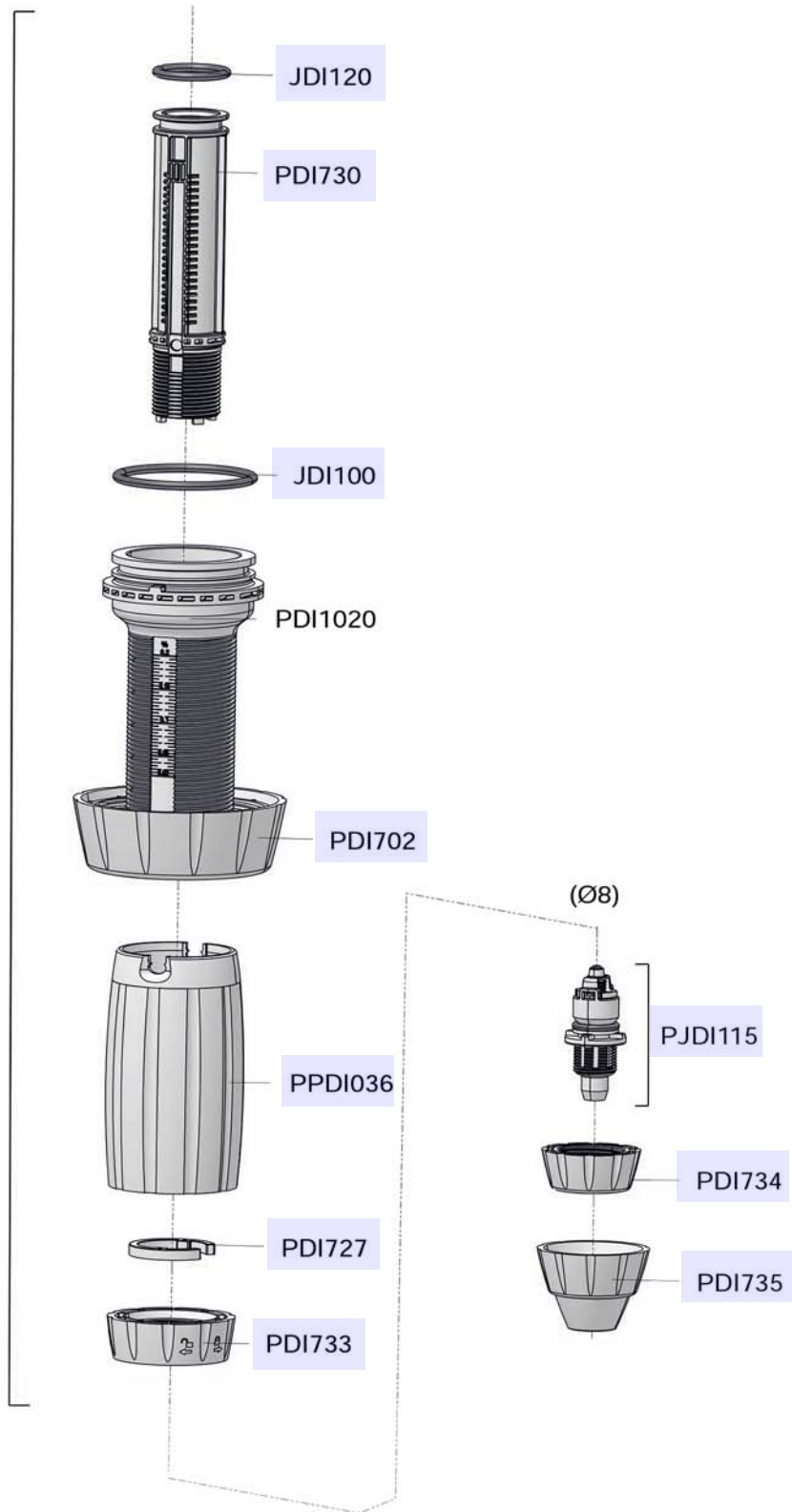
132 GPM - 1:5000 - 1:500
0.02% - 0.2%
7 - 87 PSI
0.5 - 6 bar



D132MZ5000

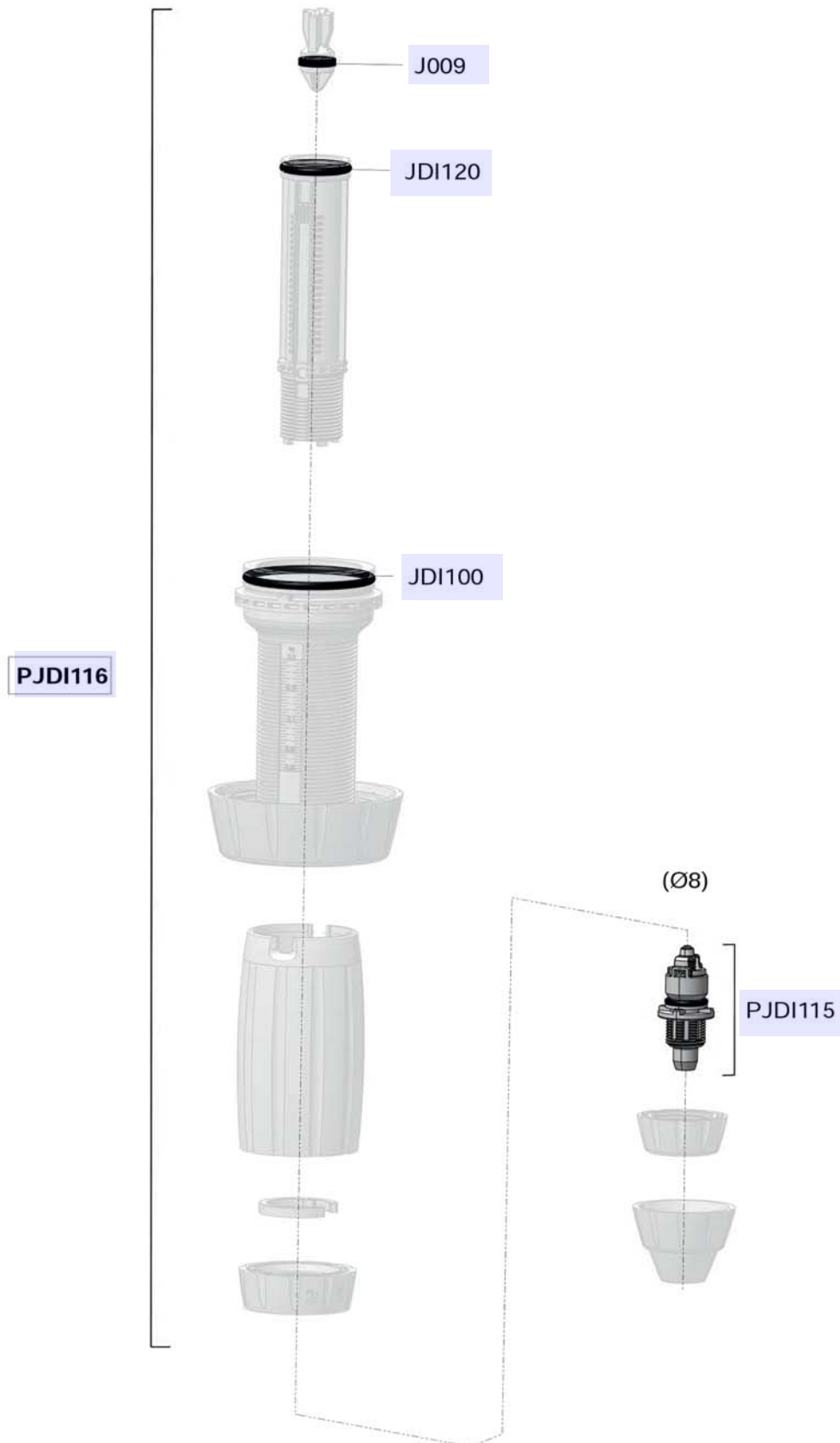
132 GPM - 1:5000 - 1:500
0.02% - 0.2%
7 - 87 PSI
0.5 - 6 bar

CDDI086



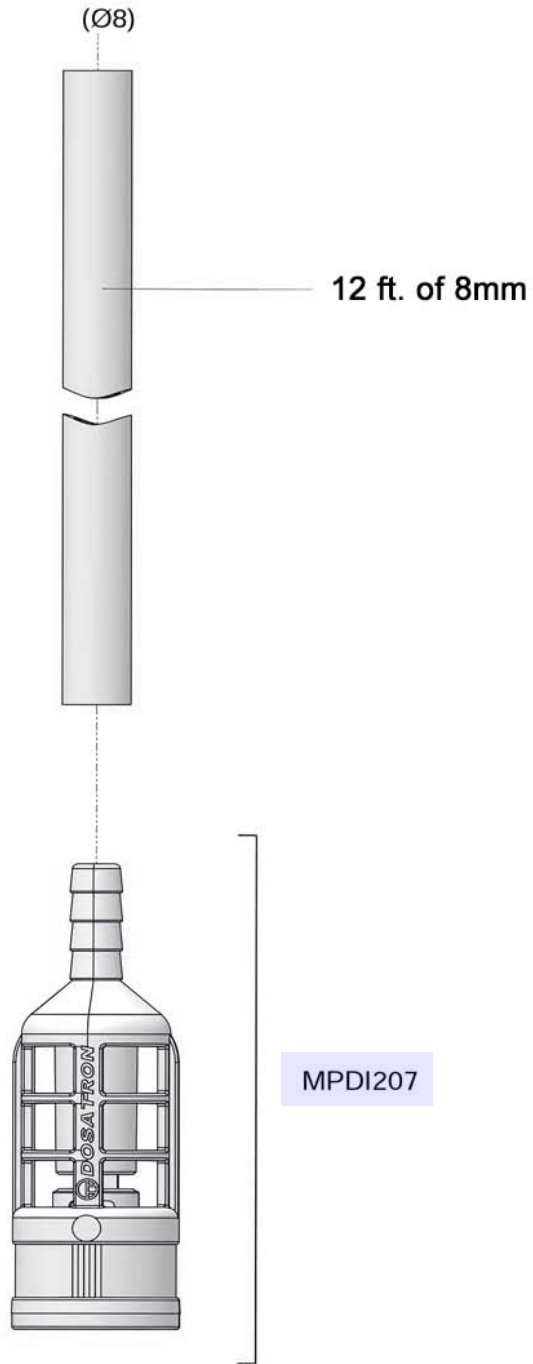
D132MZ5000

132 GPM - 1:5000 - 1:500
0.02% - 0.2%
7 - 87 PSI
0.5 - 6 bar



D132MZ5000

132 GPM - 1:5000 - 1:500
0.02% - 0.2%
7 - 87 PSI
0.5 - 6 bar



A